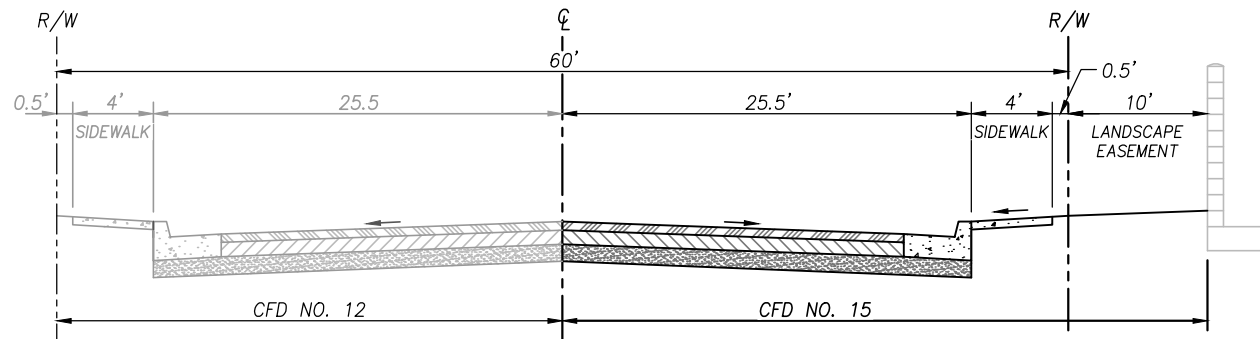
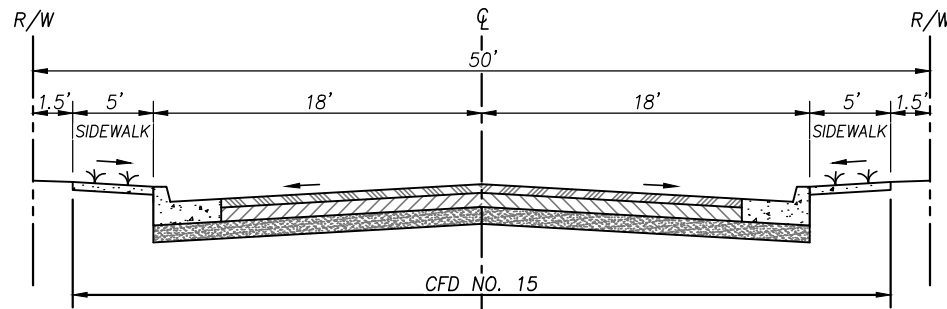


⑥ ROAD 'G'  
LOCAL COLLECTOR



⑦ ROAD 'D'  
LOCAL COLLECTOR



LOCAL 50' RIGHT-OF-WAY  
LOCAL STREET

NOTE: ALL PUBLIC LOCAL STREETS WITHIN CFD NO. 15 BOUNDARY.

NOT TO SCALE



© Copyright by Quad Knopf, Inc.  
Unauthorized use prohibited.

COMMUNITY FACILITIES DISTRICT NO. 15  
EAST COPPER RIVER RANCH MAINTENANCE DISTRICT  
CROSS SECTIONS

EXHIBIT  
A1.4