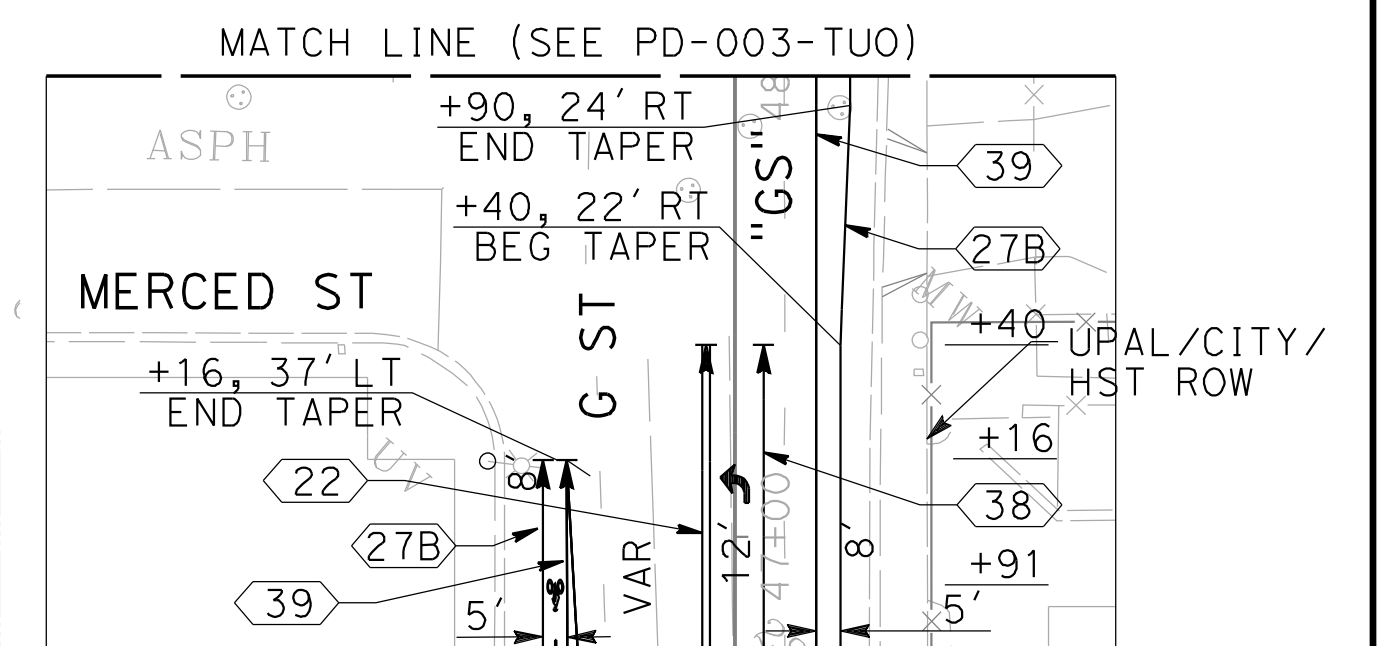
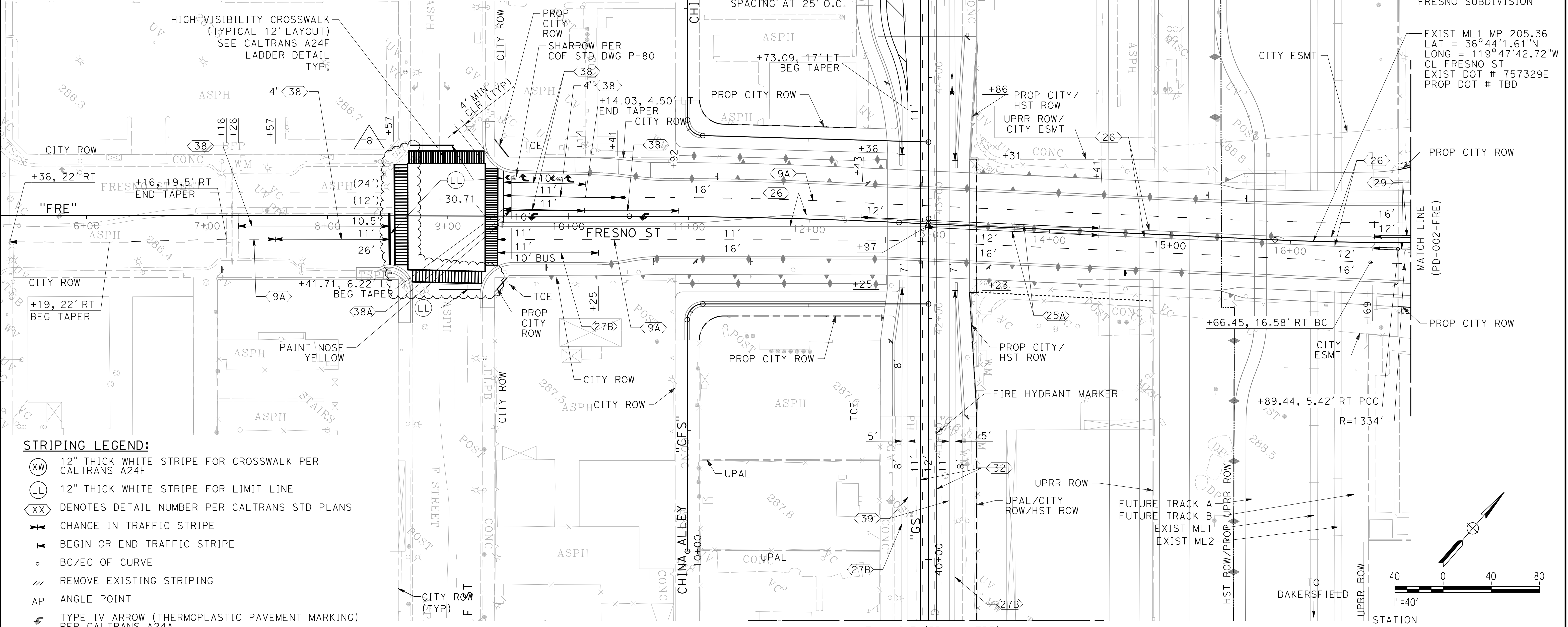


STRIPING GENERAL NOTES:

1. WORK SHALL BE DONE IN ACCORDANCE WITH THE 2010 EDITION OF THE STATE OF CALIFORNIA DEPARTMENT OF TRANSPORTATION STANDARD PLANS AND SPECIFICATIONS, SIGN SPECIFICATION SHEETS, THE 2014 CALIFORNIA MANUAL ON UNIFORM TRAFFIC CONTROL DEVICES (2014 CALIFORNIA MUTCD), THE LATEST EDITION OF THE CITY OF FRESNO STANDARD SPECIFICATIONS AND DRAWINGS, AND THE SPECIAL PROVISIONS.
2. THESE PLANS ARE ACCURATE FOR STRIPING ONLY.
3. EXISTING STRIPING, SYMBOLS, LEGENDS, AND MARKINGS TO BE REMOVED SHALL BE DONE BY WET SANDBLASTING. DRY SANDBLASTING MAY BE USED IN SELECTED AREAS ONLY WITH THE PERMISSION OF THE CITY TRAFFIC ENGINEER AND WITH THE APPROVAL OF THE AIR POLLUTION CONTROL DISTRICT. ALTERNATE METHODS OF REMOVAL REQUIRE APPROVAL OF THE CITY TRAFFIC ENGINEER. AFTER REMOVAL, SLURRY SEAL SHALL BE APPLIED TO THE AFFECTED AREAS.
4. WITH THE EXCEPTION OF BIKE LANE SYMBOLS, ALL STRIPING AND PAVEMENT MARKINGS SHALL BE THERMOPLASTIC.
5. ALL CROSSWALKS SHALL BE 12 FEET WIDE, OUTSIDE EDGE TO OUTSIDE EDGE.
6. THE CONTRACTOR SHALL FURNISH AND INSTALL NEW TYPE K-1 (CA) MARKERS ON ALL MEDIAN ISLAND NOSES, UNLESS OTHERWISE NOTED ON THE PLAN.
7. THE CONTRACTOR SHALL INSTALL DETAIL 26 (RETRO-REFLECTIVE PAVEMENT MARKERS) ALONG RAISED MEDIANS WHERE SHOWN, AS PER 2014 CALIFORNIA MUTCD.
8. CONTRACTOR TO COMPLY WITH SPECIFICATIONS FOR TESTING AND REMOVAL OF STRIPING FOUND TO CONTAIN LEAD.
9. TURN ARROWS TO BE PLACED 25' FROM THE END OR BEGINNING OF THE ADJACENT LANE STRIPING DETAIL UNLESS OTHERWISE NOTED ON THE PLAN.



- STRIPING LEGEND:**
- (XW) 12" THICK WHITE STRIPE FOR CROSSWALK PER CALTRANS A24F
 - (LL) 12" THICK WHITE STRIPE FOR LIMIT LINE
 - (XX) DENOTES DETAIL NUMBER PER CALTRANS STD PLANS
 - CHANGE IN TRAFFIC STRIPE
 - ▲ BEGIN OR END TRAFFIC STRIPE
 - BC/EC OF CURVE
 - /// REMOVE EXISTING STRIPING
 - AP ANGLE POINT
 - ↖ TYPE IV ARROW (THERMOPLASTIC PAVEMENT MARKING) PER CALTRANS A24A
 - 🚲 "BIKE LANE SYMBOL WITH PERSON" PER CALTRANS RSP A24C
 - ➡ "BIKE LANE ARROW" PER CALTRANS RSP A24A
 - BLUE RETROREFLECTIVE RAISED PAVEMENT MARKER
 - **** YIELD LINE PER CALTRANS A24E

REV	DATE	BY	CHK	APP	DESCRIPTION
8	02/27/26	RS	JS	CR	FCN 1080 NUMBER NOT APPROVED FOR CONSTRUCTION
7	07/26/24	MD	WW	SB	READY FOR CONSTRUCTION - CITY COMMENTS
6	03/28/24	TH	WW	SB	READY FOR CONSTRUCTION - CITY COMMENTS
5	08/10/23	FM	WW	SB	READY FOR CONSTRUCTION - CITY COMMENTS
4	07/26/22	FM	JM	SB	READY FOR CONSTRUCTION - CITY COMMENTS

DESIGNED BY: G. AKEN
 DRAWN BY: G. AKEN
 CHECKED BY: P. KOSINSKI
 IN CHARGE: S. BATES
 DATE: 11/22/2017

Tutor Perini
ZACHRY
PARSONS
 A joint venture

CONSULTANT
 TP2P: A Joint Venture
 1401 Fulton St.
 Suite 400
 Fresno, California 93721
 Tel. (559) 385-7025

CITY OF FRESNO DEPARTMENT OF PUBLIC WORKS

CALIFORNIA HIGH-SPEED TRAIN PROJECT
 READY FOR CONSTRUCTION PLANS

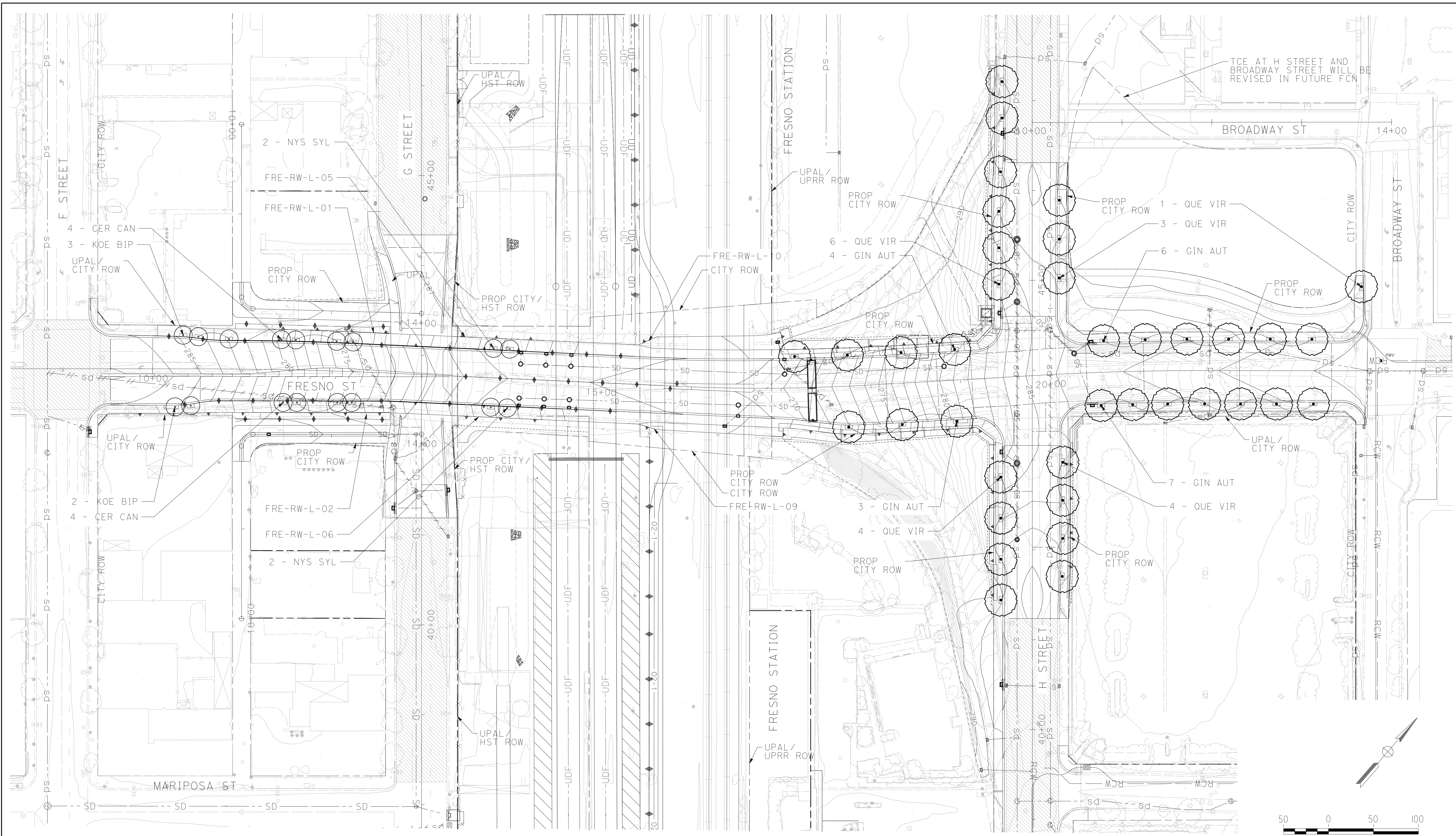
FRESNO STREET GRADE SEPARATION
 PAVEMENT DELINEATION PLANS
 SHEET 1 OF 4

REVIEWED: OFFICE ENG. _____ CITY ENG. _____
 DR. BY: _____ SHEET NO. 42
 CH. BY: _____ OF 136 SHEETS
 DATE: _____
 SCALE: 1"=40'

STATION BAKERSFIELD EAST TIMETABLE

pw: \\fpxpl02pwin101.parsons.com\California State\Documents\CHSTP CP1 N05 - Design\CADD\Sheet Files\Civil\118 - Fresno Street\CP1-CV-PD001-FRE.dgn
 CHSR_PDF_full_block.plt c:\pw_working\california\parsons_p0038786\dms12456\CP1-CV-PD001-FRE.dgn
 03/02/26 10:21:54 AM CHSTP.tbl

pw:\1\p1a02pwint01.parsons.com\California State\Documents\CHSTP_CP1_N05 - Design\User Files\PARSONS\Jon.Christensen\LANDSCAPING\SHEETS\KeyMap.dgn
 9/26/2024 9:51:30 AM CAHSRP_half.tbl CHSR_PDF_full_block.plt c:\pw_working\california\p009191c\d0105008\Sheet22.dgn



REV	DATE	BY	CHK	APP	DESCRIPTION
5	09/26/24	TP	WW	JL	READY FOR CONSTRUCTION - CITY COMMENTS
4	07/26/24	MD	WW	JL	READY FOR CONSTRUCTION - CITY COMMENTS
3	03/28/24	RL	WW	JL	READY FOR CONSTRUCTION - CITY COMMENTS
2	08/10/23	JM	PN	JL	READY FOR CONSTRUCTION - CITY COMMENTS
1	10/23/20	JM	PN	JL	READY FOR CONSTRUCTION - CITY COMMENTS

DESIGNED BY
 S. ROZENDAAL
 DRAWN BY
 J. McDONALD
 CHECKED BY
 P. NIKOLAI
 IN CHARGE
 J. LORMAND
 DATE
 November 22, 2017

Tutor Perini
ZACHRY
PARSONS
A joint venture

CONSULTANT
 PW FILE NO.
 PROJ. ID.
 FUND NO.
 ORG. NO.

CITY OF FRESNO DEPARTMENT OF PUBLIC WORKS
 CALIFORNIA HIGH-SPEED TRAIN PROJECT
 FINAL FACILITY PLANS
 FRESNO PLANTING PLAN 1 OF 1

REVIEWED: **SIGNED 02/14/2025**
 DR. BY: _____ SHEET NO. 128
 CH. BY: _____ OF 136 SHEETS
 DATE: _____
 SCALE: _____ LS-002-FRE