

APPLICANT

OUTFRONT MEDIA
5678 E. SHIELDS AVE.,
FRESNO, CA 93727
CONTACT: MARK DURAN
EMAIL: DURAN.MARK@OUTFRONTMEDIA.COM
PHONE: 559 475 6983

PLAN PREPARATION:

CHAPPELL SURVEYING, INC.
147 N. 1ST AVENUE
OAKDALE, CA 95361
CONTACT: BRETT J. CHAPPELL, PLS
EMAIL: BRETT@CSI-OAKDALE.COM
PHONE: 209 845 9694

OWNER

CITY OF FRESNO, A MUNICIPAL CORPORATION

BENCH MARK:

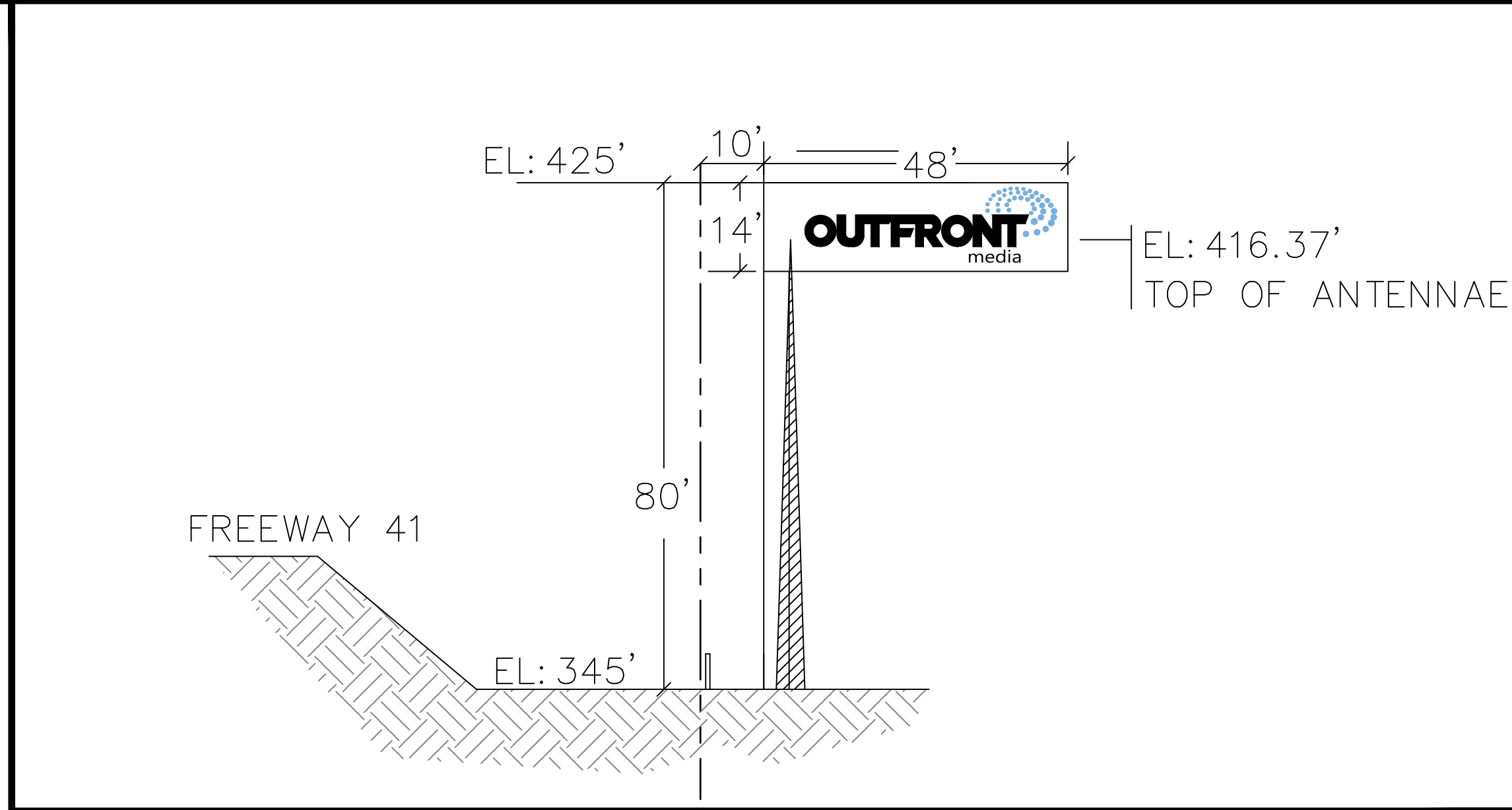
CITY OF FRESNO BENCH MARK
NAME: TBM 3357
ELEVATION: 342.321
DESCRIPTION: CHISELED SQUARE ON CURB, NORTH RETURN,
NORTHWEST CORNER OF HOWARD & FRESNO STREET,
SOUTH SIDE OF DL.

BASIS OF BEARINGS:

THE BEARING SOUTH 89°32'55" WEST, BEING THE BEARING OF THE SOUTHERLY LINE OF PARCEL B AS SAID PARCEL IS SHOWN ON PARCEL MAP NO. 99-10 FILED FOR RECORD IN BOOK 60 OF PARCEL MAPS AT PAGE 43&44, FRESNO COUNTY RECORDS.

UTILITY NOTE:

1. THE LOCATION OF UNDERGROUND UTILITIES ARE SHOWN TO THE EXTENT POSSIBLE AND ARE BASED ON OBSERVED SURFACE EVIDENCE.
2. CONTRACTORS AND OTHER PERFORMING WORK SHALL VERIFY THE EXACT LOCATION AND DEPTH OF ALL UNDERGROUND UTILITIES WITHIN CONSTRUCTION AREA.
3. SPRINKLER HEADS AND IRRIGATION LATERAL LINES ARE NOT SHOWN HEREON.
4. ADDITIONAL UNDETECTED UTILITIES MAY EXIST WITHIN THE LIMIT OF THIS SURVEY.
5. CALL UNDERGROUND SERVICE ALERT (USA) 48 HOURS PRIOR TO ANY UNDERGROUND WORK.



BILLBOARD PROFILE: NOT TO SCALE

LEGEND:

- RECORD BOUNDARY LINE
- - - CENTER LINE
- AREA LIGHT
- ⊗ FIRE HYDRANT
- FOUND MONUMENT
- ⊕ POWER POLE
- ⊙ TRAFFIC SIGNAL
- ⊙ SANITARY SEWER MANHOLE
- ⊙ SIGN
- ⊙ STORM DRAIN MANHOLE
- ⊙ SURVEY CONTROL POINT
- ⊙ WATER VALVE
- ⊙ SITE BENCH MARK
- ♿ ACCESSIBILITY

COPYRIGHT NOTE:

COPYRIGHT © CHAPPELL SURVEYING, INC. ALL RIGHTS RESERVED. NO PART OF THIS DRAWING MAY BE REPRODUCED BY PHOTOCOPYING, RECORDING OR BY ANY OTHER MEANS, OR STORED, PROCESSED OR TRANSMITTED IN OR BY ANY COMPUTER OR OTHER SYSTEMS WITHOUT THE PRIOR WRITTEN PERMISSION OF CHAPPELL SURVEYING, INC. COPIES OF THIS DRAWING WITHOUT AN ORIGINAL SIGNATURE AND STAMP ARE NOT VALID.

TREE NOTE:

TREE TYPES AND SIZE ARE FOR INFORMATIONAL PURPOSES ONLY. ACTUAL TYPE OF TREE, TREE SHAPE, AND GROVE CONFIGURATION MAY VARY FROM ACTUAL FIELD CONDITIONS. NO WARRANTIES ARE IMPLIED IN REGARD TO TREE INFORMATION.

REFERENCED TITLE REPORT:

FIRST AMERICAN TITLE COMPANY
ORDER NUMBER: NCS-962624-SA1
TITLE OFFICER: EDWARD LUQUE (949)885-2407
DATED: MAY 20, 2019

TOPOGRAPHIC SURVEY NOTE:

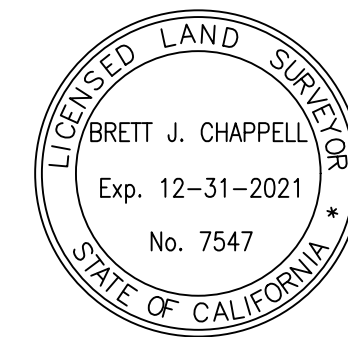
1. PHYSICAL ITEMS SHOWN ON THIS SURVEY ARE LIMITED TO THOSE SURFACE ITEMS VISIBLE AS OF THE DATE OF THIS SURVEY.

SURVEYOR'S STATEMENT

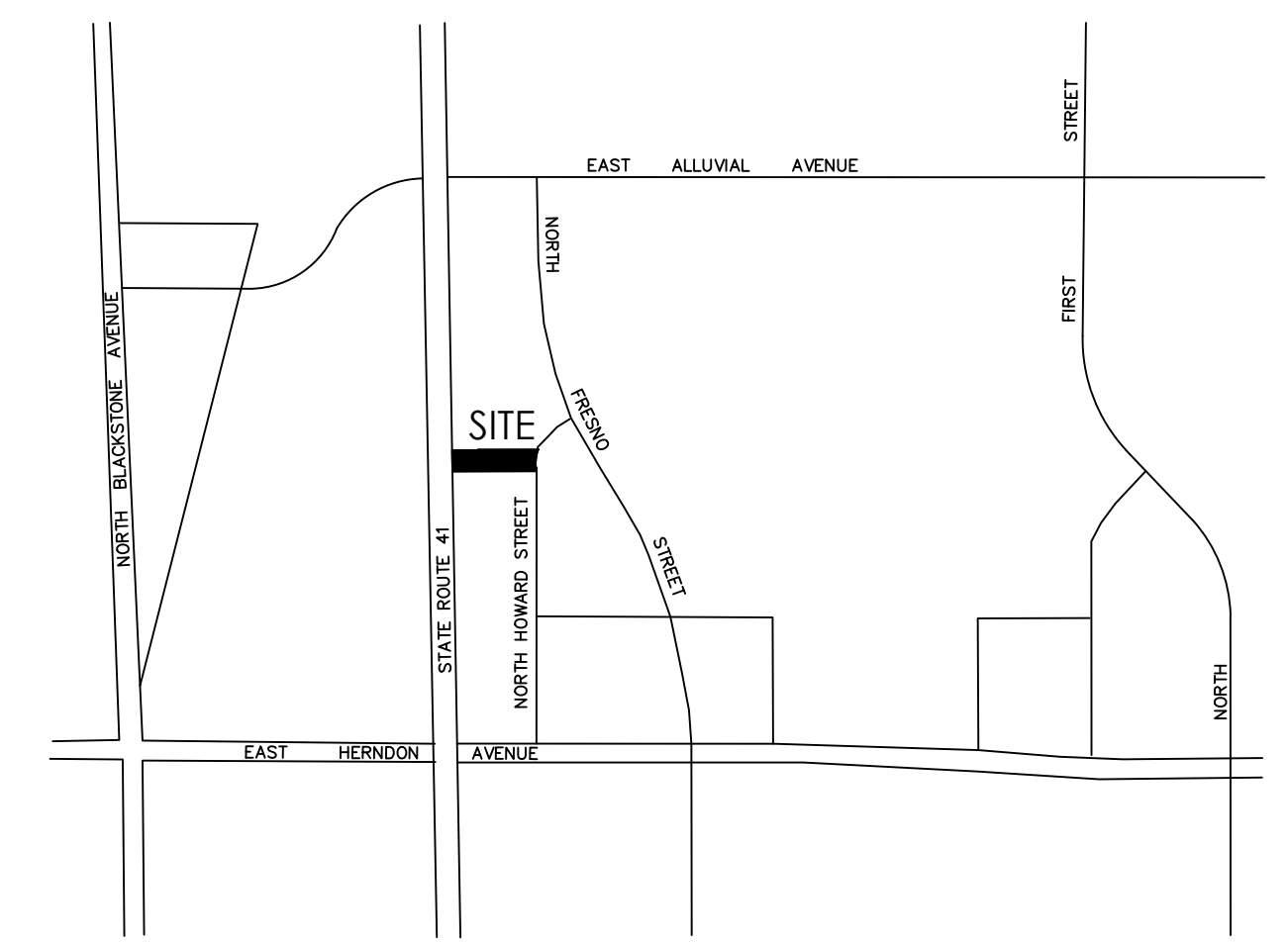
THIS MAP WAS PREPARED BY ME OR UNDER MY DIRECTION.

Brett Chappell
BRETT J. CHAPPELL
PROFESSIONAL LAND SURVEYOR
LICENSE NUMBER 7547
EXPIRATION DATE: DECEMBER 31, 2021

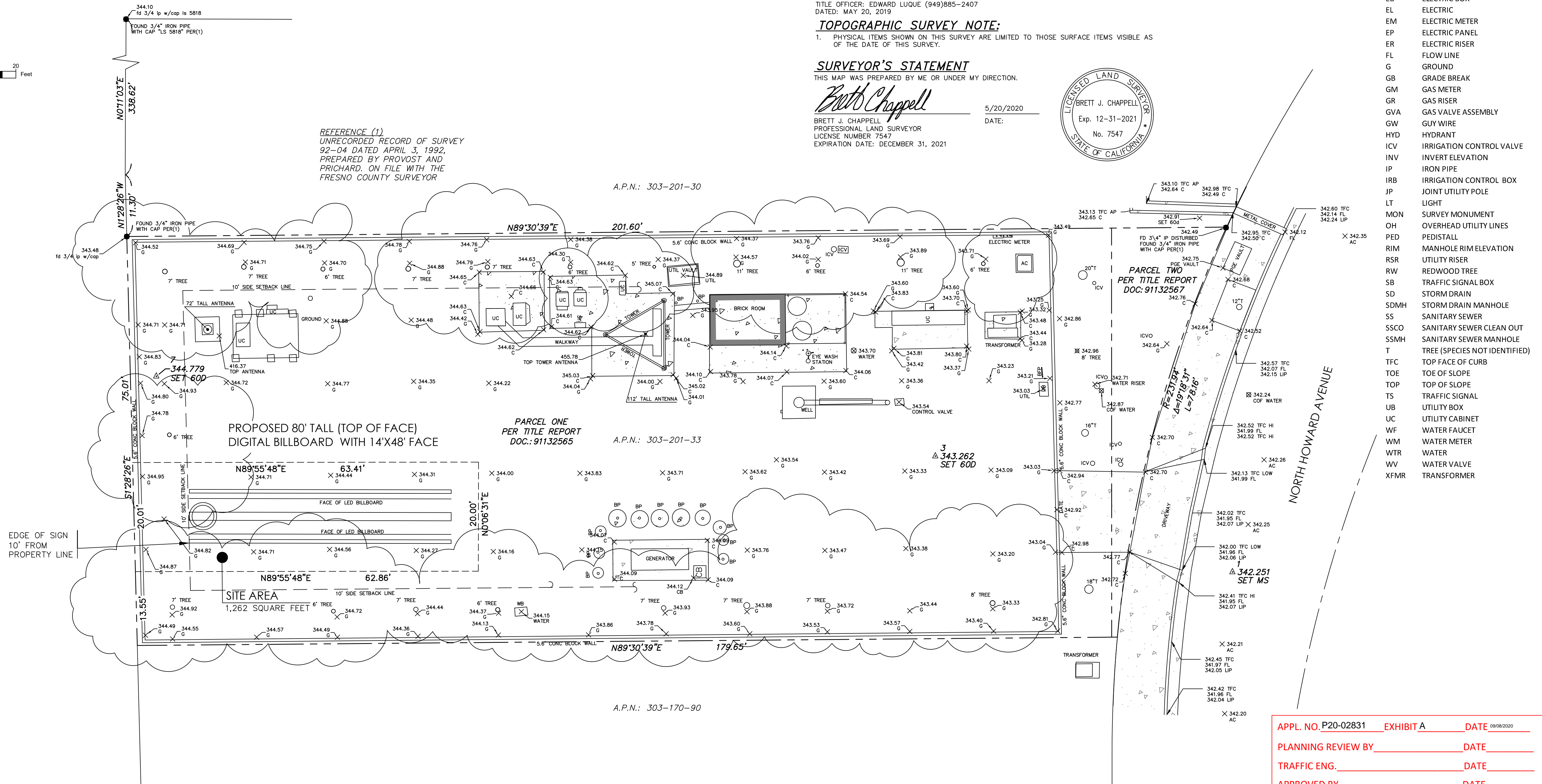
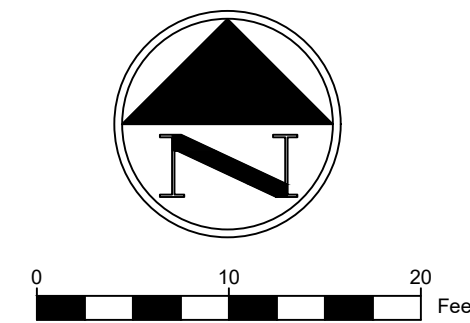
5/20/2020
DATE:



VICINITY MAP



147 N 1st Avenue
OAKDALE, CA 95361
PHONE: (209) 845 9694
WWW.CSI-OAKDALE.COM



- AC ASPHALT
- AR ACCESSIBILITY RAMP
- BC BUILDING CORNER
- BFP BACK FLOW PREVENTOR
- BP BOLLARD POLE
- BRC BACK ROLL CURB
- C CONCRETE
- CB CATCH BASIN
- CO CLEAN OUT
- EB ELECTRIC BOX
- EL ELECTRIC METER
- EM ELECTRIC METER
- EP ELECTRIC PANEL
- ER ELECTRIC RISER
- FL FLOW LINE
- G GROUND
- GB GRADE BREAK
- GM GAS METER
- GR GAS RISER
- GVA GAS VALVE ASSEMBLY
- GW GUY WIRE
- HYD HYDRANT
- ICV IRRIGATION CONTROL VALVE
- INV INVERT ELEVATION
- IP IRON PIPE
- IRB IRRIGATION CONTROL BOX
- JP JOINT UTILITY POLE
- LT LIGHT
- MON SURVEY MONUMENT
- OH OVERHEAD UTILITY LINES
- PED PEDISTALL
- RIM MANHOLE RIM ELEVATION
- RSR UTILITY RISER
- RW REDWOOD TREE
- SB TRAFFIC SIGNAL BOX
- SD STORM DRAIN
- SDMH STORM DRAIN MANHOLE
- SS SANITARY SEWER
- SSCO SANITARY SEWER CLEAN OUT
- SSMH SANITARY SEWER MANHOLE
- T TREE (SPECIES NOT IDENTIFIED)
- TFC TOP FACE OF CURB
- TOE TOE OF SLOPE
- TOP TOP OF SLOPE
- TS TRAFFIC SIGNAL
- UB UTILITY BOX
- UC UTILITY CABINET
- WF WATER FAUCET
- WM WATER METER
- WTR WATER
- VV WATER VALVE
- XFMR TRANSFORMER

STATE OF CALIFORNIA - FREEWAY 41

A.P.N.: 303-201-30

A.P.N.: 303-201-33

A.P.N.: 303-170-90

APPL. NO. P20-02831 EXHIBIT A DATE 09/08/2020
 TRAFFIC REVIEW BY _____ DATE _____
 TRAFFIC ENG. _____ DATE _____
 APPROVED BY _____ DATE _____
 CITY OF FRESNO DARM DEPT

SITE PLAN FOR DIGITAL BILLBOARD
 FOR OUTFRONT MEDIA
 CITY OF FRESNO - PUMP STATION SITE

COUNTY OF FRESNO
 CITY OF FRESNO

COUNTY OF FRESNO
 CITY OF FRESNO

No.	Revisions
1	3/28/2020 MOVED BILLBOARD TO SETBACK. REDUCED HT. TO 65'

Date	3/28/2020	Scale	1" = 10'
Field	WI	Mapping	BC
Approved	BC	Job No.	2019085
Drawing	2019085SITE		
	1		1