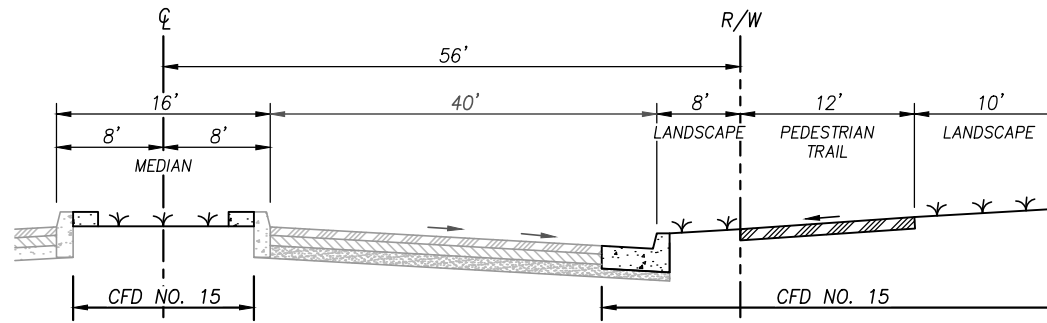
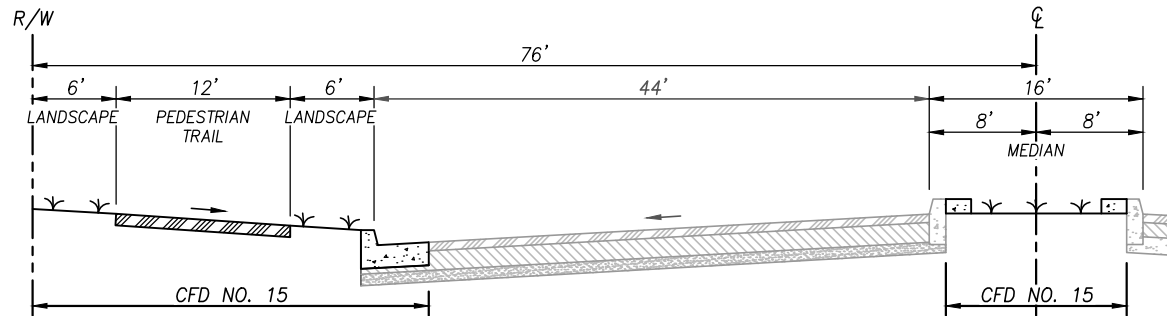


① EAST COPPER AVENUE
FROM FRIANT ROAD TO WEST CFD 15 BOUNDARY LINE
SUPER ARTERIAL



② EAST COPPER AVENUE
FROM WEST CFD 15 BOUNDARY LINE TO NORTH WILLOW AVENUE
SUPER ARTERIAL



③ NORTH WILLOW AVENUE
SUPER ARTERIAL

NOT TO SCALE



© Copyright by Quad Knopf, Inc.
Unauthorized use prohibited.

COMMUNITY FACILITIES DISTRICT NO. 15
EAST COPPER RIVER RANCH MAINTENANCE DISTRICT
CROSS SECTIONS

EXHIBIT
B1.2