

EXHIBIT F  
SITE PLAN

**APPLICANT**

OUTFRONT MEDIA  
5678 E. SHIELDS AVE.,  
FRESNO, CA 93727  
CONTACT: MARK DURAN  
EMAIL: DURAN.MARK@OUTFRONTMEDIA.COM  
PHONE: 559 475 6983

**PLAN PREPARATION:**

CHAPPELL SURVEYING SERVICES  
680 ESTHER WAY  
OAKDALE, CA 95361

CONTACT: BRETT J. CHAPPELL, PLS  
EMAIL: SURVEY@GARLIC.COM  
PHONE: 209 845 9694

**OWNER**

CITY OF FRESNO

**BENCH MARK:**

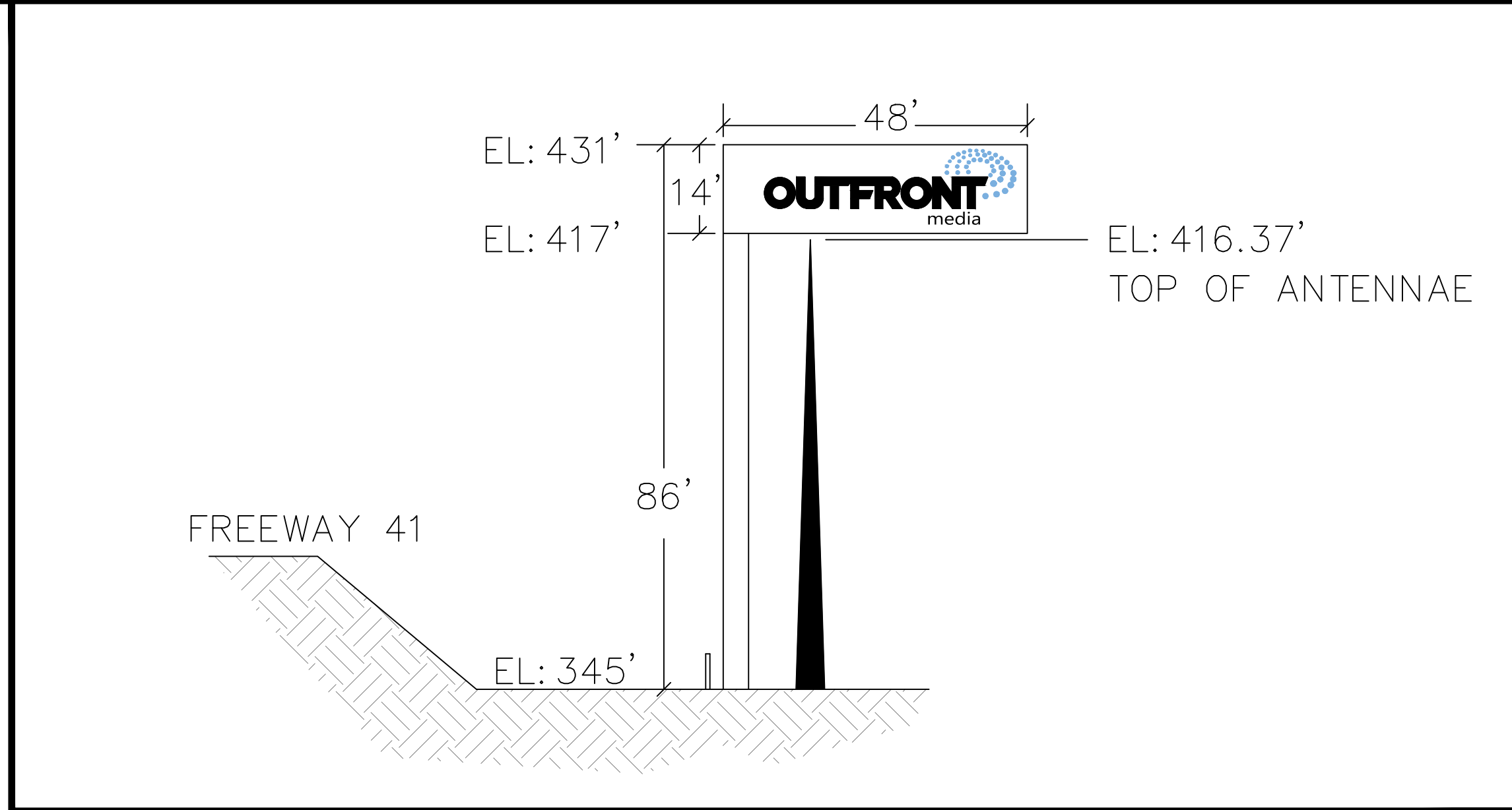
CITY OF FRESNO BENCH MARK  
NAME: TBM 3357  
ELEVATION: 342.321  
DESCRIPTION: CHISELED SQUARE ON CURB, NORTH RETURN,  
NORTHWEST CORNER OF HOWARD & FRESNO STREET,  
SOUTH SIDE OF DL.

**BASIS OF BEARINGS:**

THE BEARING SOUTH 89°32'55" WEST, BEING THE BEARING AOF THE SOUTHERLY LINE OF PARCEL B AS SAID PARCEL IS SHOWN ON PARCEL MAP NO. 99-10 FILED FOR RECORD IN BOOK 60 OF PARCEL MAPS AT PAGE 43&44, FRESNO COUNTY RECORDS.

**UTILITY NOTE:**

1. THE LOCATION OF UNDERGROUND UTILITIES ARE SHOWN TO THE EXTENT POSSIBLE AND ARE BASED ON OBSERVED SURFACE EVIDENCE.
2. CONTRACTORS AND OTHER PERFORMING WORK SHALL VERIFY THE EXACT LOCATION AND DEPTH OF ALL UNDERGROUND UTILITIES WITHIN CONSTRUCTION AREA.
3. SPRINKLER HEADS AND IRRIGATION LATERAL LINES ARE NOT SHOWN HEREON.
4. ADDITIONAL UNDETECTED UTILITIES MAY EXIST WITHIN THE LIMIT OF THIS SURVEY.
5. CALL UNDERGROUND SERVICE ALERT (USA) 48 HOURS PRIOR TO ANY UNDERGROUND WORK.

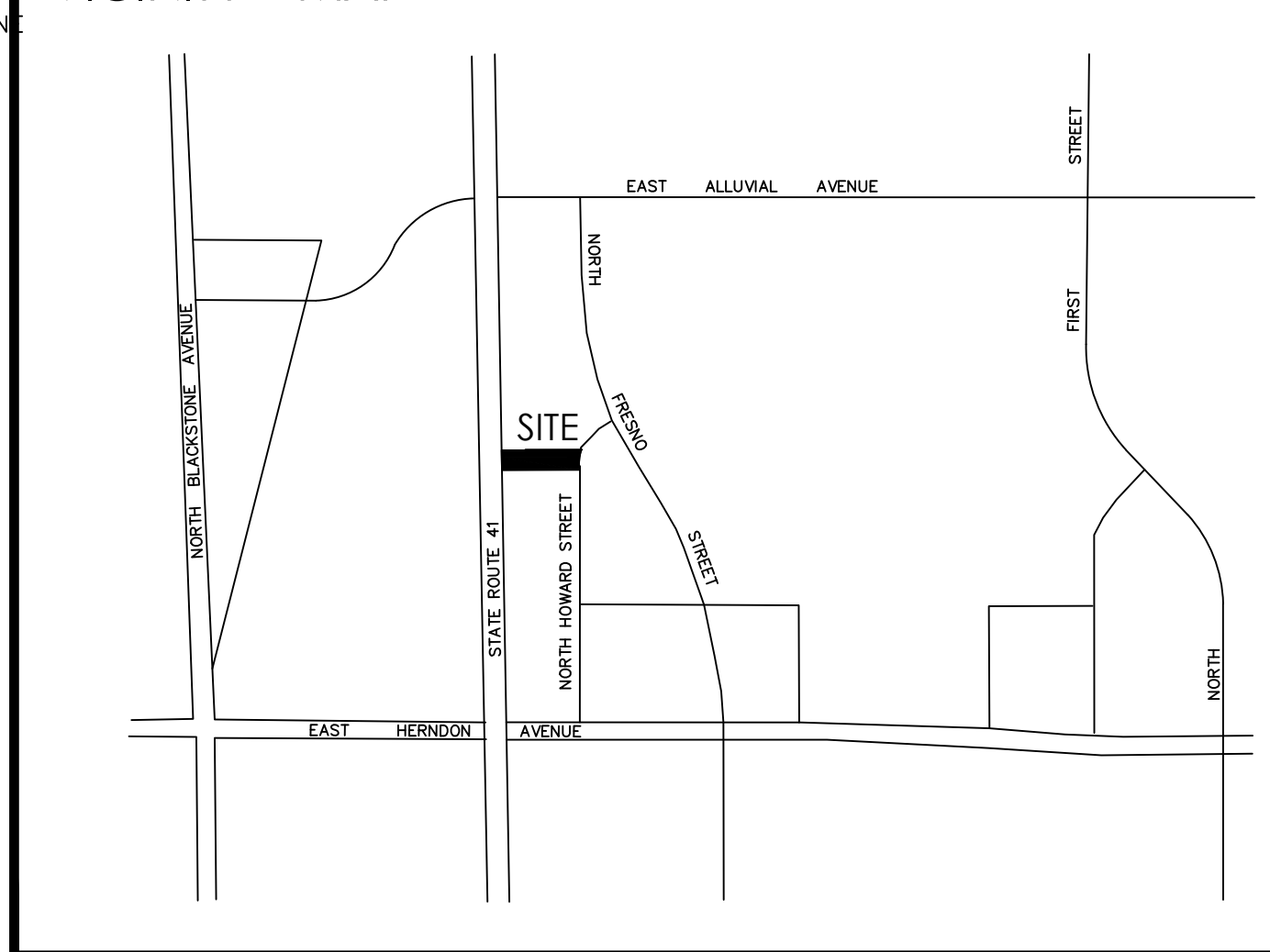


**BILLBOARD PROFILE: NOT TO SCALE**

**LEGEND:**

- AREA LIGHT
  - ⊗ FIRE HYDRANT
  - FOUND MONUMENT
  - ⊕ POWER POLE
  - ⊙ TRAFFIC SIGNAL
  - SANITARY SEWER MANHOLE
  - SIGN
  - STORM DRAIN MANHOLE
  - △ SURVEY CONTROL POINT
  - WATER VALVE
  - ⊕ SITE BENCH MARK
  - ♿ ACCESSIBILITY
- RECORD BOUNDARY LINE  
- - - CENTER LINE

**VICINITY MAP**



**COPYRIGHT NOTE:**

COPYRIGHT © CHAPPELL SURVEYING SERVICES ALL RIGHTS RESERVED. NO PART OF THIS DRAWING MAY BE REPRODUCED BY PHOTOCOPYING, RECORDING OR BY ANY OTHER MEANS, OR STORED, PROCESSED OR TRANSMITTED IN OR BY ANY COMPUTER OR OTHER SYSTEMS WITHOUT THE PRIOR WRITTEN PERMISSION OF CHAPPELL SURVEYING SERVICES. COPIES OF THIS DRAWING WITHOUT AN ORIGINAL SIGNATURE AND STAMP ARE NOT VALID.

**TREE NOTE:**

TREE TYPES AND SIZE ARE FOR INFORMATIONAL PURPOSES ONLY. ACTUAL TYPE OF TREE, TREE SHAPE, AND GROVE CONFIGURATION MAY VARY FROM ACTUAL FIELD CONDITIONS. NO WARRANTIES ARE IMPLIED IN REGARD TO TREE INFORMATION.

**TITLE NOTE:**

NO ABSTRACT OF TITLE, NOR TITLE COMMITMENT, OR RESULTS OF A TITLE SEARCH WERE FURNISHED TO CHAPPELL SURVEYING SERVICES. THERE MAY EXIST DOCUMENTS OF RECORD THAT MAY AFFECT THIS SURVEYED PARCEL.

**TOPOGRAPHIC SURVEY NOTE:**

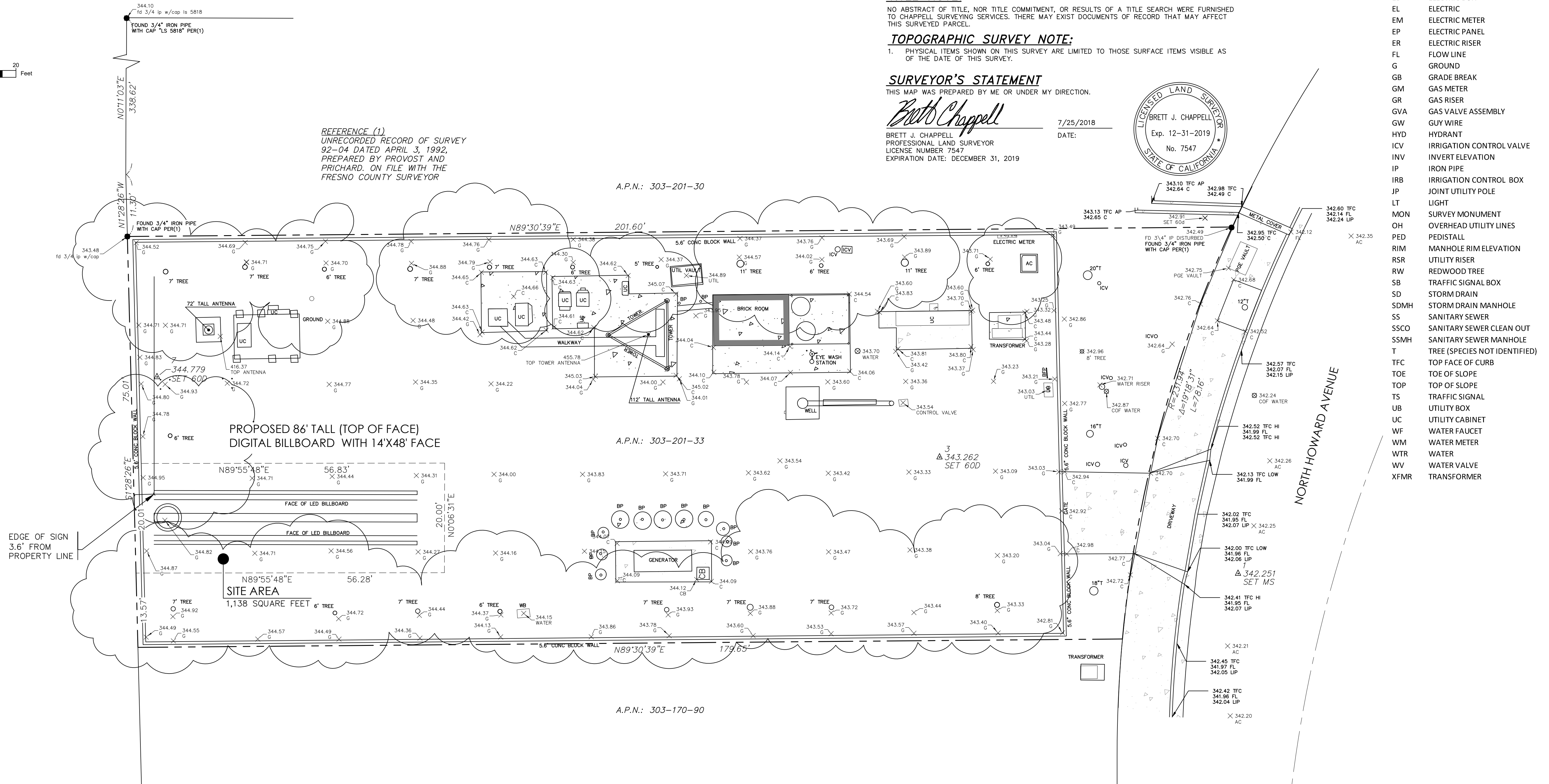
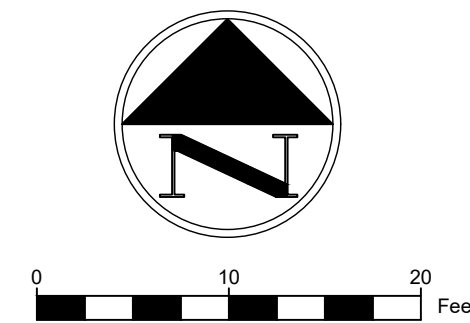
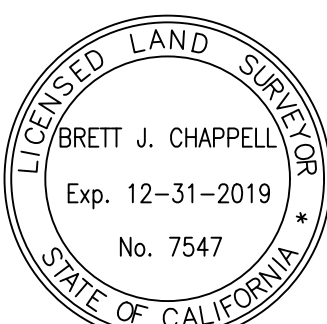
1. PHYSICAL ITEMS SHOWN ON THIS SURVEY ARE LIMITED TO THOSE SURFACE ITEMS VISIBLE AS OF THE DATE OF THIS SURVEY.

**SURVEYOR'S STATEMENT**

THIS MAP WAS PREPARED BY ME OR UNDER MY DIRECTION.

*Brett J. Chappell*  
BRETT J. CHAPPELL  
PROFESSIONAL LAND SURVEYOR  
LICENSE NUMBER 7547  
EXPIRATION DATE: DECEMBER 31, 2019

7/25/2018  
DATE:



- AC ASPHALT
- AR ACCESSIBILITY RAMP
- BC BUILDING CORNER
- BFP BACK FLOW PREVENTOR
- BP BOLLARD POLE
- BRC BACK ROLL CURB
- C CONCRETE
- CB CATCH BASIN
- CO CLEAN OUT
- EB ELECTRIC BOX
- EL ELECTRIC METER
- EM ELECTRIC PANEL
- ER ELECTRIC RISER
- FL FLOW LINE
- G GROUND
- GB GRADE BREAK
- GM GAS METER
- GR GAS RISER
- GVA GAS VALVE ASSEMBLY
- GW GUY WIRE
- HYD HYDRANT
- ICV IRRIGATION CONTROL VALVE
- INV INVERT ELEVATION
- IP IRON PIPE
- IRB IRRIGATION CONTROL BOX
- JP JOINT UTILITY POLE
- LT LIGHT
- MON SURVEY MONUMENT
- OH OVERHEAD UTILITY LINES
- PED PEDISTALL
- RIM MANHOLE RIM ELEVATION
- RSR UTILITY RISER
- RW REDWOOD TREE
- SB TRAFFIC SIGNAL BOX
- SD STORM DRAIN
- SDMH STORM DRAIN MANHOLE
- SS SANITARY SEWER
- SSCO SANITARY SEWER CLEAN OUT
- SSMH SANITARY SEWER MANHOLE
- T TREE (SPECIES NOT IDENTIFIED)
- TFC TOP FACE OF CURB
- TOE TOE OF SLOPE
- TOP TOP OF SLOPE
- TS TRAFFIC SIGNAL
- UB UTILITY BOX
- UC UTILITY CABINET
- WF WATER FAUCET
- WM WATER METER
- WTR WATER
- VV WATER VALVE
- XFMR TRANSFORMER

STATE OF CALIFORNIA - FREEWAY 41

**SITE PLAN FOR DIGITAL BILLBOARD FOR OUTFRONT MEDIA CITY OF FRESNO - PUMP STATION SITE**

Date	Revisions
7/29/2018	No.
Scale 1" = 10'	
Design	BJC
Drawn	BJC
Approved	BJC
Job No	2018051TP

Drawing: 2018051TP



**CHAPPELL SURVEYING SERVICES**  
680 ESTHER WAY OAKDALE, CA 95361  
PHONE: (209) 845 9694 FAX: (209) 845 9654  
survey@garlic.com

LAND SURVEYING • GEOGRAPHIC INFORMATION SYSTEMS

CITY OF FRESNO COUNTY OF FRESNO STATE OF CALIFORNIA