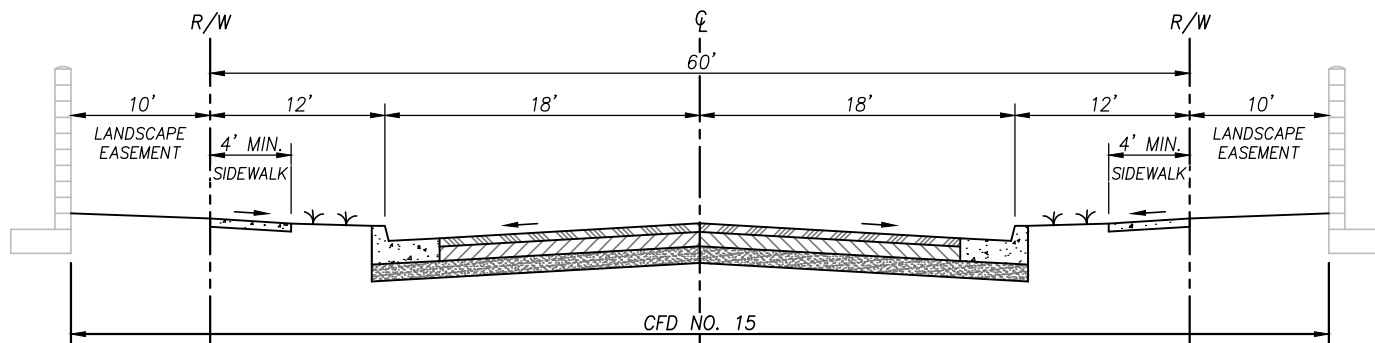


④ EAST ALICANTE DRIVE  
COLLECTOR



⑤ NORTH CHESTNUT AVENUE  
LOCAL COLLECTOR

NOT TO SCALE



© Copyright by Quad Knopf, Inc.  
Unauthorized use prohibited.

COMMUNITY FACILITIES DISTRICT NO. 15  
EAST COPPER RIVER RANCH MAINTENANCE DISTRICT  
CROSS SECTIONS

EXHIBIT  
A1.3