

	ROBERT STEVENS ASSOCIATES ARCHITECTURE & PLANNING 200 N. 25th St., Suite 1111 Fresno, CA 93703 (559) 431-1111	C4854 CDPI, #443 A-12 of sheets
	PROJECT # 13 - SELLAND ARENA	DATE: 08/11/11

ADDITIONS & REMODELED  
 NORTH END CROSS AISLE LEVEL (109'-0")  
 SCALE: 1/8" = 1'-0"

Selland Arena - Auditorium  
 700 M Street, Fresno

**Fresno**

Selland Arena (SA)

<b>Floor AUD</b>	
<b>6 - 1</b>	<b>Stairway</b> <span style="float: right;">Priority:2</span>
<b>Install tread striping</b>	<b>\$3,840</b>
Notes: Indicator stripes are faded. There are 8 risers per set. There are 32 sets with the same issue.	
State: 1133B.4.4	
Federal: -	
<b>Replace stairs</b>	<b>\$0</b>
Notes: Tread width is 10" (11" min). Risers are 7-1/2" (7" max) high. There are 8 risers per set. There are 32 sets of the same staircase with the same issue.	
State: 1009.3, 1133B.4.5.3	
Federal: 4.9.2	
<b>Install or modify handrails</b>	<b>\$140,800</b>
Notes: Top extensions are only provided on one side. Handrail diameter is 2" (1-1/4" to 1-1/2"). Handrails are 2-1/4" (1-1/2") from the wall. There is a total of 32 sets of handrails with the same issues.	
State: 1133B.4.2.2, 1133B.4.2.5, 1133B.4.2.6	
Federal: 4.26.2, 4.9.4 #2, 4.9.4 #3	
<b>6 - 2</b>	<b>Stairway</b> <span style="float: right;">Priority:2</span>
<b>Replace stairs</b>	<b>\$0</b>
Notes: Tread width is 10" (11" min). Risers are 8" (4" to 7") high. There is a total of 16 risers per set. There are 4 sets of stairs with the same issues.	
State: 1009.3, 1133B.4.5.3	
Federal: 4.9.2	
<b>Install or modify handrails</b>	<b>\$30,400</b>
Notes: The outer handrails are not continuous. Extensions at the top are not provided. Handrail top surface is mounted 31" (34" to 38") AFF. Handrail diameter is 2" (1-1/4" to 1-1/2"). Handrail is 2" (1-1/2") from the wall. 4 sets of stairs with same issue.	
State: 1133B.4.1.1, 1133B.4.2.1, 1133B.4.2.2, 1133B.4.2.5, 1133B.4.2.6	
Federal: 4.26.2, 4.9.4, 4.9.4 #2, 4.9.4 #3, 4.9.4 #5	

**Fresno**

Selland Arena (SA)

<b>Floor AUD</b>		
<b>6 - 3</b>	<b>Stairway</b>	Priority:2
<b>Install tread striping</b>		\$1,440
Notes: Indicator stripes are faded. There are 12 risers per set. There are 8 sets with the same issue.		
State: 1133B.4.4		
Federal: -		
<b>Replace stairs</b>		\$0
Notes: Width of stair is 35" (44" min). Tread width is 10-1/2" (11" min). There are 12 risers per set. There are 8 sets of the same staircase with the same issue.		
State: 1007.3, 1009.1, 1133B.4.5.3		
Federal: 4.9.2		
<b>Install or modify handrails</b>		\$48,000
Notes: Handrail with continuous gripping surface is only provided on one side. Top and bottom extensions are only provided on one side. Handrail diameter is 2" (1-1/4" to 1-1/2"). There is a total of 8 sets of handrails with the same issues.		
State: 1133B.4.1.1, 1133B.4.2.2, 1133B.4.2.5, 1133B.4.2.6		
Federal: 4.26.2, 4.9.4, 4.9.4 #2, 4.9.4 #3		
<b>6 - 4</b>	<b>Stairway</b>	Priority:2
<b>Install tread striping</b>		\$240
Notes: Indicator stripes are not contrasting. There are 16 risers.		
State: 1127B.4, 1133B.4.4		
Federal: -		
<b>Repair stair nosings</b>		\$6,000
Notes: Risers are open. There are 16 risers.		
State: 1133B.4.5.3		
Federal: 4.9.2		
<b>Install or modify handrails</b>		\$7,600
Notes: Extensions at the top and bottom are not provided. Handrail top surface is mounted 31" (34" to 38") AFF. Handrail diameter is 2" (1-1/4" to 1-1/2").		
State: 1133B.4.2.1, 1133B.4.2.2, 1133B.4.2.6		
Federal: 4.26.2, 4.9.4 #2, 4.9.4 #5		

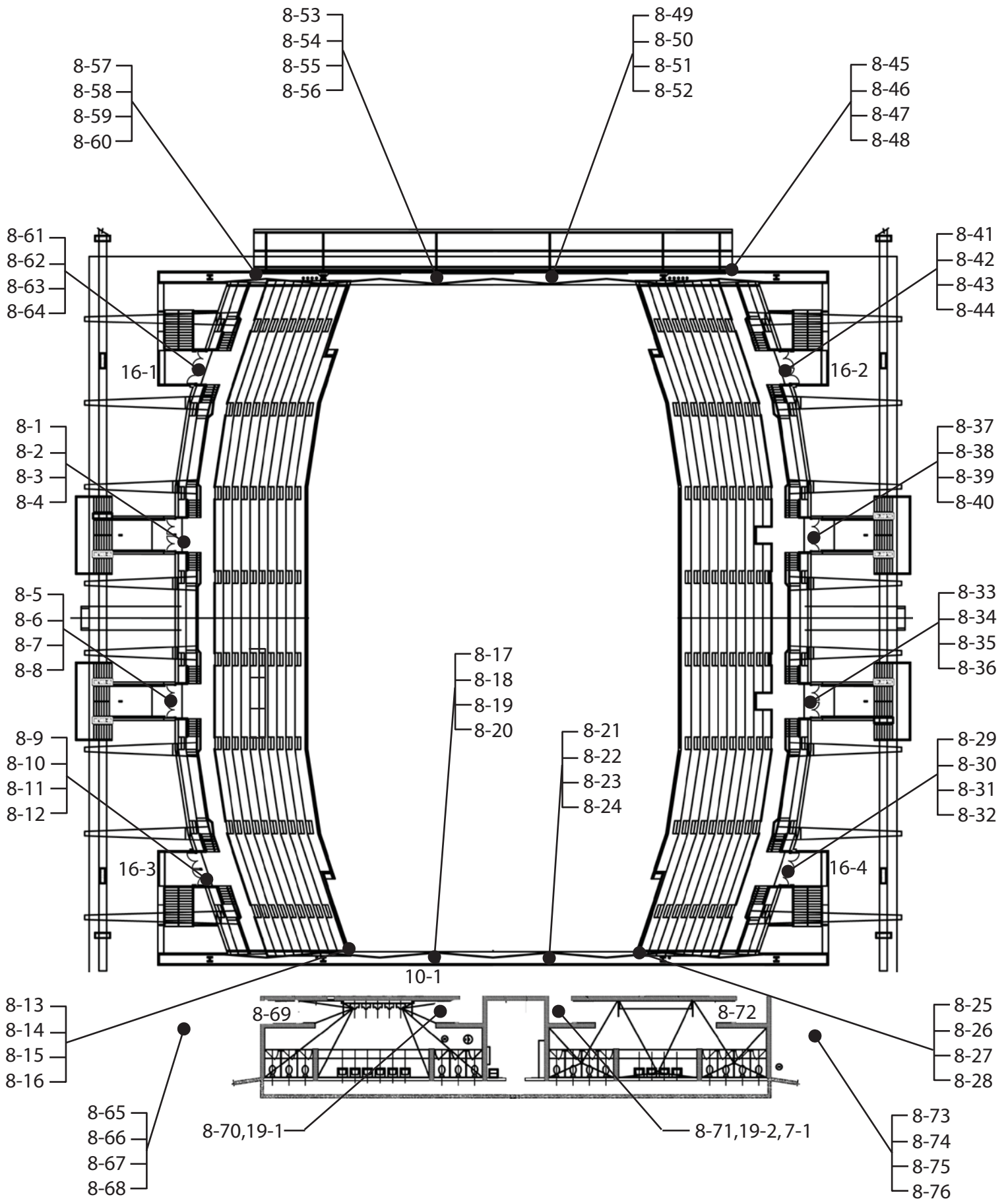
**Fresno**  
Selland Arena (SA)

<b>Floor AUD</b>		
<b>6 - 5</b>	<b>Stairway</b>	<b>Priority:2</b>
<b>Install tread striping</b>		<b>\$240</b>
Notes: Indicator stripes are not contrasting. There are 16 risers.		
State: 1127B.4, 1133B.4.4		
Federal: -		
<b>Repair stair nosings</b>		<b>\$6,000</b>
Notes: Risers are open. There are 16 risers.		
State: 1133B.4.5.3		
Federal: 4.9.2		
<b>Install or modify handrails</b>		<b>\$7,600</b>
Notes: Extensions at the top and bottom are not provided. Handrail top surface is mounted 32" (34" to 38") AFF. Handrail diameter is 2" (1-1/4" to 1-1/2").		
State: 1133B.4.2.1, 1133B.4.2.2, 1133B.4.2.6		
Federal: 4.26.2, 4.9.4 #2, 4.9.4 #5		
<b>6 - 6</b>	<b>Stairway</b>	<b>Priority:2</b>
<b>Install tread striping</b>		<b>\$240</b>
Notes: Indicator stripes are not contrasting. There are 16 risers.		
State: 1127B.4, 1133B.4.4		
Federal: -		
<b>Repair stair nosings</b>		<b>\$6,000</b>
Notes: Risers are open. There are 16 risers.		
State: 1133B.4.5.3		
Federal: 4.9.2		
<b>Install or modify handrails</b>		<b>\$7,600</b>
Notes: Extensions at the top and bottom are not provided. Handrail top surface is mounted 31" (34" to 38") AFF. Handrail diameter is 2" (1-1/4" to 1-1/2").		
State: 1133B.4.2.1, 1133B.4.2.2, 1133B.4.2.6		
Federal: 4.26.2, 4.9.4 #2, 4.9.4 #5		

**Fresno**

Selland Arena (SA)

<b>Floor AUD</b>		
<b>6 - 7</b>	<b>Stairway</b>	Priority:2
<b>Install tread striping</b>		\$240
Notes: Indicator stripes are not contrasting. There are 16 risers.		
State: 1127B.4, 1133B.4.4		
Federal: -		
<b>Repair stair nosings</b>		\$6,000
Notes: Risers are open. There are 16 risers.		
State: 1133B.4.5.3		
Federal: 4.9.2		
<b>Install or modify handrails</b>		\$7,600
Notes: Extensions at the top and bottom are not provided. Handrail top surface is mounted 32" (34" to 38") AFF. Handrail diameter is 2" (1-1/4" to 1-1/2").		
State: 1133B.4.2.1, 1133B.4.2.2, 1133B.4.2.6		
Federal: 4.26.2, 4.9.4 #2, 4.9.4 #5		
<b>7 - 1</b>	<b>Hazard</b>	Priority:2
<b>Remove overhanging or protruding objects</b>		\$2,800
Notes: Objects protrude 15" (4" max) into walkways at height 47" AFF. This occurs in 28 locations inside the arena, between the 1st and 2nd seating levels. Put something underneath the hazard so that it is cane detectable.		
State: 1133B.8.6.1		
Federal: 4.4.1		
<b>27 - 1</b>	<b>Auditorium</b>	Priority:2
<b>Provide an accessible path of travel</b>		\$2,000
Notes: An accessible route does not connect wheelchair parking spaces with floor-level seating. Access is provided through Valdez Hall.		
State: 1104B.3.10		
Federal: 1104B.3.13, 4.33.3		
<b>Provide accessible seating</b>		\$13,500
Notes: 11,300 total seats. There are 22 wheelchair seats. When there's reserved seating, there are 96 wheelchair seats. 114 total wheelchair seats are required. Provide 18 additional wheelchair seats.		
State: 1104B.3.4, 1104B.3.5, 1104B.3.6		
Federal: -		



Seland Arena - Balcony Floor  
700 M Street, Fresno

**Fresno**

Selland Arena (SA)

<b>Floor Balcony</b>		
<b>7 - 1</b>	<b>Hazard</b>	Priority:2
<b>Remove overhanging or protruding objects</b>		\$100
Notes: Sanitary napkin dispenser protrudes 6-1/2" (4" max) and is 39-1/2" (not between 27" to 80" max) above the finished floor.		
State: 1133B.8.6.1		
Federal: 4.4.1		
<b>8 - 1</b>	<b>Door/Gate</b>	Priority:2
<b>Adjust door closer</b>		\$100
Notes: Operating effort is 14 lbs (5 lbs max).		
State: 1133B.2.5		
Federal: 4.13.11		
<b>Enlarge door opening</b>		\$3,500
Notes: Width of clear opening is 26" (32" min).		
State: 1133B.2.2, 1133B.2.3		
Federal: 4.13.5		
<b>Install or modify permanent room signs</b>		\$250
Notes: There is an exit sign but Braille is not provided.		
State: -		
Federal: 1117B.5.7, 4.30.6		
<b>8 - 2</b>	<b>Door/Gate</b>	Priority:2
<b>Adjust door closer</b>		\$100
Notes: Operating effort is 13 lbs (5 lbs max).		
State: 1133B.2.5		
Federal: 4.13.11		
<b>Enlarge door opening</b>		\$3,500
Notes: Width of clear opening is 26" (32" min).		
State: 1133B.2.2, 1133B.2.3		
Federal: 4.13.5		
<b>8 - 3</b>	<b>Door/Gate</b>	Priority:2
<b>Adjust door closer</b>		\$100
Notes: Operating effort is 10 lbs (5 lbs max).		
State: 1133B.2.5		
Federal: 4.13.11		
<b>Enlarge door opening</b>		\$3,500
Notes: Width of clear opening is 26" (32" min).		
State: 1133B.2.2, 1133B.2.3		
Federal: 4.13.5		

**Fresno**

Selland Arena (SA)

<b>Floor Balcony</b>	
<b>8 - 4</b>	<b>Door/Gate</b> <span style="float: right;">Priority:2</span>
<b>Adjust door closer</b>	<b>\$100</b>
Notes: Operating effort is 12 lbs (5 lbs max).	
State: 1133B.2.5	
Federal: 4.13.11	
<b>Enlarge door opening</b>	<b>\$3,500</b>
Notes: Width of clear opening is 26" (32" min).	
State: 1133B.2.2, 1133B.2.3	
Federal: 4.13.5	
<b>8 - 5</b>	<b>Door/Gate</b> <span style="float: right;">Priority:2</span>
<b>Adjust door closer</b>	<b>\$100</b>
Notes: Operating effort is 15 lbs (5 lbs max).	
State: 1133B.2.5	
Federal: 4.13.11	
<b>Enlarge door opening</b>	<b>\$3,500</b>
Notes: Width of clear opening is 26" (32" min).	
State: 1133B.2.2, 1133B.2.3	
Federal: 4.13.5	
<b>Install or modify permanent room signs</b>	<b>\$250</b>
Notes: There is an exit sign but Braille is not provided.	
State: -	
Federal: 1117B.5.7, 4.30.6	
<b>8 - 6</b>	<b>Door/Gate</b> <span style="float: right;">Priority:2</span>
<b>Adjust door closer</b>	<b>\$100</b>
Notes: Operating effort is 13 lbs (5 lbs max).	
State: 1133B.2.5	
Federal: 4.13.11	
<b>Enlarge door opening</b>	<b>\$3,500</b>
Notes: Width of clear opening is 26" (32" min).	
State: 1133B.2.2, 1133B.2.3	
Federal: 4.13.5	



**Fresno**

Selland Arena (SA)

<b>Floor Balcony</b>	
<b>8 - 7</b>	<b>Door/Gate</b> <span style="float: right;">Priority:2</span>
<b>Adjust door closer</b>	<b>\$100</b>
Notes: Operating effort is 14 lbs (5 lbs max).	
State: 1133B.2.5	
Federal: 4.13.11	
<b>Enlarge door opening</b>	<b>\$3,500</b>
Notes: Width of clear opening is 26" (32" min).	
State: 1133B.2.2, 1133B.2.3	
Federal: 4.13.5	
<b>8 - 8</b>	<b>Door/Gate</b> <span style="float: right;">Priority:2</span>
<b>Adjust door closer</b>	<b>\$100</b>
Notes: Operating effort is 15 lbs (5 lbs max).	
State: 1133B.2.5	
Federal: 4.13.11	
<b>Enlarge door opening</b>	<b>\$3,500</b>
Notes: Width of clear opening is 26" (32" min).	
State: 1133B.2.2, 1133B.2.3	
Federal: 4.13.5	
<b>8 - 9</b>	<b>Door/Gate</b> <span style="float: right;">Priority:2</span>
<b>Adjust door closer</b>	<b>\$100</b>
Notes: Operating effort is 12 lbs (5 lbs max).	
State: 1133B.2.5	
Federal: 4.13.11	
<b>Enlarge door opening</b>	<b>\$3,500</b>
Notes: Width of clear opening is 26" (32" min).	
State: 1133B.2.2, 1133B.2.3	
Federal: 4.13.5	
<b>Install or modify permanent room signs</b>	<b>\$250</b>
Notes: There is an exit sign but Braille is not provided.	
State: -	
Federal: 1117B.5.7, 4.30.6	

**Fresno**

Selland Arena (SA)

<b>Floor Balcony</b>	
<b>8 - 10 Door/Gate</b>	Priority:2
<b>Adjust door closer</b>	\$100
Notes: Operating effort is 17 lbs (5 lbs max).	
State: 1133B.2.5	
Federal: 4.13.11	
<b>Enlarge door opening</b>	\$3,500
Notes: Width of clear opening is 26" (32" min).	
State: 1133B.2.2, 1133B.2.3	
Federal: 4.13.5	
<b>8 - 11 Door/Gate</b>	Priority:2
<b>Adjust door closer</b>	\$100
Notes: Operating effort is 11 lbs (5 lbs max).	
State: 1133B.2.5	
Federal: 4.13.11	
<b>Enlarge door opening</b>	\$3,500
Notes: Width of clear opening is 26" (32" min).	
State: 1133B.2.2, 1133B.2.3	
Federal: 4.13.5	
<b>8 - 12 Door/Gate</b>	Priority:2
<b>Adjust door closer</b>	\$100
Notes: Operating effort is 13 lbs (5 lbs max).	
State: 1133B.2.5	
Federal: 4.13.11	
<b>Enlarge door opening</b>	\$3,500
Notes: Width of clear opening is 26" (32" min).	
State: 1133B.2.2, 1133B.2.3	
Federal: 4.13.5	

**Fresno**

Selland Arena (SA)

<b>Floor Balcony</b>	
<b>8 - 13</b>	<b>Door/Gate</b> <span style="float: right;">Priority:2</span>
<b>Adjust door closer</b>	<b>\$100</b>
Notes: Operating effort is 15 lbs (5 lbs max).	
State: 1133B.2.5	
Federal: 4.13.11	
<b>Enlarge door opening</b>	<b>\$3,500</b>
Notes: Width of clear opening is 26" (32" min).	
State: 1133B.2.2, 1133B.2.3	
Federal: 4.13.5	
<b>Install or modify permanent room signs</b>	<b>\$250</b>
Notes: There is an exit sign but Braille is not provided.	
State: -	
Federal: 1117B.5.7, 4.30.6	
<b>Provide or modify door kickplate</b>	<b>\$100</b>
Notes: Doorstop is mounted on kickplate.	
State: 1133B.2.6	
Federal: -	
<b>8 - 14</b>	<b>Door/Gate</b> <span style="float: right;">Priority:2</span>
<b>Adjust door closer</b>	<b>\$100</b>
Notes: Operating effort is 15 lbs (5 lbs max).	
State: 1133B.2.5	
Federal: 4.13.11	
<b>Enlarge door opening</b>	<b>\$3,500</b>
Notes: Width of clear opening is 26" (32" min).	
State: 1133B.2.2, 1133B.2.3	
Federal: 4.13.5	
<b>Provide or modify door kickplate</b>	<b>\$100</b>
Notes: Doorstop is mounted on kickplate.	
State: 1133B.2.6	
Federal: -	

**Fresno**

Selland Arena (SA)

<b>Floor Balcony</b>	
<b>8 - 15 Door/Gate</b>	<b>Priority:2</b>
<b>Adjust door closer</b>	<b>\$100</b>
Notes: Operating effort is 13 lbs (5 lbs max).	
State: 1133B.2.5	
Federal: 4.13.11	
<b>Enlarge door opening</b>	<b>\$3,500</b>
Notes: Width of clear opening is 26" (32" min).	
State: 1133B.2.2, 1133B.2.3	
Federal: 4.13.5	
<b>Provide or modify door kickplate</b>	<b>\$100</b>
Notes: Doorstop is mounted on kickplate.	
State: 1133B.2.6	
Federal: -	
<b>8 - 16 Door/Gate</b>	<b>Priority:2</b>
<b>Adjust door closer</b>	<b>\$100</b>
Notes: Operating effort is 10 lbs (5 lbs max).	
State: 1133B.2.5	
Federal: 4.13.11	
<b>Enlarge door opening</b>	<b>\$3,500</b>
Notes: Width of clear opening is 26" (32" min).	
State: 1133B.2.2, 1133B.2.3	
Federal: 4.13.5	
<b>Provide or modify door kickplate</b>	<b>\$100</b>
Notes: Doorstop is mounted on kickplate.	
State: 1133B.2.6	
Federal: -	

**Fresno**

Selland Arena (SA)

<b>Floor Balcony</b>	
<b>8 - 17 Door/Gate</b>	<b>Priority:2</b>
<b>Adjust door closer</b>	<b>\$100</b>
Notes: Operating effort is 10 lbs (5 lbs max).	
State: 1133B.2.5	
Federal: 4.13.11	
<b>Enlarge door opening</b>	<b>\$3,500</b>
Notes: Width of clear opening is 26" (32" min).	
State: 1133B.2.2, 1133B.2.3	
Federal: 4.13.5	
<b>Provide or modify door kickplate</b>	<b>\$100</b>
Notes: Doorstop is mounted on kickplate.	
State: 1133B.2.6	
Federal: -	
<b>Install or modify permanent room signs</b>	<b>\$250</b>
Notes: There is an exit sign but Braille is not provided.	
State: -	
Federal: 1117B.5.7, 4.30.6	
<b>8 - 18 Door/Gate</b>	<b>Priority:2</b>
<b>Adjust door closer</b>	<b>\$100</b>
Notes: Operating effort is 7 lbs (5 lbs max).	
State: 1133B.2.5	
Federal: 4.13.11	
<b>Enlarge door opening</b>	<b>\$3,500</b>
Notes: Width of clear opening is 26" (32" min).	
State: 1133B.2.2, 1133B.2.3	
Federal: 4.13.5	
<b>Provide or modify door kickplate</b>	<b>\$100</b>
Notes: Doorstop is mounted on kickplate.	
State: 1133B.2.6	
Federal: -	

**Fresno**

Selland Arena (SA)

<b>Floor Balcony</b>	
<b>8 - 19 Door/Gate</b>	Priority:2
<b>Adjust door closer</b>	\$100
Notes: Operating effort is 13 lbs (5 lbs max).	
State: 1133B.2.5	
Federal: 4.13.11	
<b>Enlarge door opening</b>	\$3,500
Notes: Width of clear opening is 26" (32" min).	
State: 1133B.2.2, 1133B.2.3	
Federal: 4.13.5	
<b>Provide or modify door kickplate</b>	\$100
Notes: Doorstop is mounted on kickplate.	
State: 1133B.2.6	
Federal: -	
<b>8 - 20 Door/Gate</b>	Priority:2
<b>Adjust door closer</b>	\$100
Notes: Operating effort is 6 lbs (5 lbs max).	
State: 1133B.2.5	
Federal: 4.13.11	
<b>Enlarge door opening</b>	\$3,500
Notes: Width of clear opening is 26" (32" min).	
State: 1133B.2.2, 1133B.2.3	
Federal: 4.13.5	
<b>Provide or modify door kickplate</b>	\$100
Notes: Doorstop is mounted on kickplate.	
State: 1133B.2.6	
Federal: -	

**Fresno**

Selland Arena (SA)

<b>Floor Balcony</b>	
<b>8 - 21 Door/Gate</b>	Priority:2
<b>Adjust door closer</b>	\$100
Notes: Operating effort is 10 lbs (5 lbs max).	
State: 1133B.2.5	
Federal: 4.13.11	
<b>Provide or modify door kickplate</b>	\$100
Notes: Doorstop is mounted on kickplate.	
State: 1133B.2.6	
Federal: -	
<b>Install or modify permanent room signs</b>	\$250
Notes: There is an exit sign but Braille is not provided.	
State: -	
Federal: 1117B.5.7, 4.30.6	
<b>8 - 22 Door/Gate</b>	Priority:2
<b>Provide or modify door kickplate</b>	\$100
Notes: Doorstop is mounted on kickplate.	
State: 1133B.2.6	
Federal: -	
<b>8 - 23 Door/Gate</b>	Priority:2
<b>Adjust door closer</b>	\$100
Notes: Operating effort is 9 lbs (5 lbs max).	
State: 1133B.2.5	
Federal: 4.13.11	
<b>Provide or modify door kickplate</b>	\$100
Notes: Doorstop is mounted on kickplate.	
State: 1133B.2.6	
Federal: -	
<b>8 - 24 Door/Gate</b>	Priority:2
<b>Adjust door closer</b>	\$100
Notes: Operating effort is 10 lbs (5 lbs max).	
State: 1133B.2.5	
Federal: 4.13.11	

**Fresno**

Selland Arena (SA)

<b>Floor Balcony</b>	
<b>8 - 25 Door/Gate</b>	Priority:2
<b>Adjust door closer</b>	\$100
Notes: Operating effort is 11 lbs (5 lbs max).	
State: 1133B.2.5	
Federal: 4.13.11	
<b>Install or modify permanent room signs</b>	\$250
Notes: There is an exit sign but Braille is not provided.	
State: -	
Federal: 1117B.5.7, 4.30.6	
<b>Provide or modify door kickplate</b>	\$100
Notes: Doorstop is mounted on kickplate.	
State: 1133B.2.6	
Federal: -	
<b>8 - 26 Door/Gate</b>	Priority:2
<b>Adjust door closer</b>	\$100
Notes: Operating effort is 14 lbs (5 lbs max).	
State: 1133B.2.5	
Federal: 4.13.11	
<b>Provide or modify door kickplate</b>	\$100
Notes: Doorstop is mounted on kickplate.	
State: 1133B.2.6	
Federal: -	
<b>8 - 27 Door/Gate</b>	Priority:2
<b>Adjust door closer</b>	\$100
Notes: Operating effort is 10 lbs (5 lbs max).	
State: 1133B.2.5	
Federal: 4.13.11	
<b>Provide or modify door kickplate</b>	\$100
Notes: Doorstop is mounted on kickplate.	
State: 1133B.2.6	
Federal: -	



**Fresno**

Selland Arena (SA)

<b>Floor Balcony</b>	
<b>8 - 28 Door/Gate</b>	Priority:2
<b>Adjust door closer</b>	\$100
Notes: Operating effort is 7 lbs (5 lbs max).	
State: 1133B.2.5	
Federal: 4.13.11	
<b>Provide or modify door kickplate</b>	\$100
Notes: Doorstop is mounted on kickplate.	
State: 1133B.2.6	
Federal: -	
<b>8 - 29 Door/Gate</b>	Priority:2
<b>Enlarge door opening</b>	\$3,500
Notes: Width of clear opening is 28-1/2" (32" min).	
State: 1133B.2.2, 1133B.2.3	
Federal: 4.13.5	
<b>Adjust door closer</b>	\$100
Notes: Operating effort is 13 lbs (5 lbs max).	
State: 1133B.2.5	
Federal: 4.13.11	
<b>Install or modify permanent room signs</b>	\$250
Notes: There is an exit sign but Braille is not provided.	
State: -	
Federal: 1117B.5.7, 4.30.6	
<b>8 - 30 Door/Gate</b>	Priority:2
<b>Enlarge door opening</b>	\$3,500
Notes: Width of clear opening is 28-1/2" (32" min).	
State: 1133B.2.2, 1133B.2.3	
Federal: 4.13.5	
<b>Adjust door closer</b>	\$100
Notes: Operating effort is 14 lbs (5 lbs max).	
State: 1133B.2.5	
Federal: 4.13.11	

**Fresno**

Selland Arena (SA)

<b>Floor Balcony</b>	
<b>8 - 31 Door/Gate</b>	Priority:2
<b>Enlarge door opening</b>	\$3,500
Notes: Width of clear opening is 28-1/2" (32" min).	
State: 1133B.2.2, 1133B.2.3	
Federal: 4.13.5	
<b>Adjust door closer</b>	\$100
Notes: Operating effort is 12 lbs (5 lbs max).	
State: 1133B.2.5	
Federal: 4.13.11	
<b>8 - 32 Door/Gate</b>	Priority:2
<b>Enlarge door opening</b>	\$3,500
Notes: Width of clear opening is 28-1/2" (32" min).	
State: 1133B.2.2, 1133B.2.3	
Federal: 4.13.5	
<b>Adjust door closer</b>	\$100
Notes: Operating effort is 13 lbs (5 lbs max).	
State: 1133B.2.5	
Federal: 4.13.11	
<b>8 - 33 Door/Gate</b>	Priority:2
<b>Enlarge door opening</b>	\$3,500
Notes: Width of clear opening is 28-1/2" (32" min).	
State: 1133B.2.2, 1133B.2.3	
Federal: 4.13.5	
<b>Adjust door closer</b>	\$100
Notes: Operating effort is 14 lbs (5 lbs max).	
State: 1133B.2.5	
Federal: 4.13.11	
<b>Install or modify permanent room signs</b>	\$250
Notes: There is an exit sign but Braille is not provided.	
State: -	
Federal: 1117B.5.7, 4.30.6	

**Fresno**

Selland Arena (SA)

<b>Floor Balcony</b>	
<b>8 - 34 Door/Gate</b>	Priority:2
<b>Enlarge door opening</b>	\$3,500
Notes: Width of clear opening is 28-1/2" (32" min).	
State: 1133B.2.2, 1133B.2.3	
Federal: 4.13.5	
<b>Adjust door closer</b>	\$100
Notes: Operating effort is 17 lbs (5 lbs max).	
State: 1133B.2.5	
Federal: 4.13.11	
<b>8 - 35 Door/Gate</b>	Priority:2
<b>Enlarge door opening</b>	\$3,500
Notes: Width of clear opening is 28-1/2" (32" min).	
State: 1133B.2.2, 1133B.2.3	
Federal: 4.13.5	
<b>Adjust door closer</b>	\$100
Notes: Operating effort is 15 lbs (5 lbs max).	
State: 1133B.2.5	
Federal: 4.13.11	
<b>8 - 36 Door/Gate</b>	Priority:2
<b>Enlarge door opening</b>	\$3,500
Notes: Width of clear opening is 28-1/2" (32" min).	
State: 1133B.2.2, 1133B.2.3	
Federal: 4.13.5	
<b>Adjust door closer</b>	\$100
Notes: Operating effort is 13 lbs (5 lbs max).	
State: 1133B.2.5	
Federal: 4.13.11	

**Fresno**

Selland Arena (SA)

<b>Floor Balcony</b>	
<b>8 - 37 Door/Gate</b>	Priority:2
<b>Enlarge door opening</b>	\$3,500
Notes: Width of clear opening is 28-1/2" (32" min).	
State: 1133B.2.2, 1133B.2.3	
Federal: 4.13.5	
<b>Adjust door closer</b>	\$100
Notes: Operating effort is 14 lbs (5 lbs max).	
State: 1133B.2.5	
Federal: 4.13.11	
<b>Install or modify permanent room signs</b>	\$250
Notes: There is an exit sign but Braille is not provided.	
State: -	
Federal: 1117B.5.7, 4.30.6	
<b>8 - 38 Door/Gate</b>	Priority:2
<b>Enlarge door opening</b>	\$3,500
Notes: Width of clear opening is 28-1/2" (32" min).	
State: 1133B.2.2, 1133B.2.3	
Federal: 4.13.5	
<b>Adjust door closer</b>	\$100
Notes: Operating effort is 14 lbs (5 lbs max).	
State: 1133B.2.5	
Federal: 4.13.11	
<b>8 - 39 Door/Gate</b>	Priority:2
<b>Enlarge door opening</b>	\$3,500
Notes: Width of clear opening is 28-1/2" (32" min).	
State: 1133B.2.2, 1133B.2.3	
Federal: 4.13.5	
<b>Adjust door closer</b>	\$100
Notes: Operating effort is 14 lbs (5 lbs max).	
State: 1133B.2.5	
Federal: 4.13.11	

**Fresno**

Selland Arena (SA)

<b>Floor Balcony</b>	
<b>8 - 40 Door/Gate</b>	Priority:2
<b>Enlarge door opening</b>	\$3,500
Notes: Width of clear opening is 28-1/2" (32" min).	
State: 1133B.2.2, 1133B.2.3	
Federal: 4.13.5	
<b>Adjust door closer</b>	\$100
Notes: Operating effort is 14 lbs (5 lbs max).	
State: 1133B.2.5	
Federal: 4.13.11	
<b>8 - 41 Door/Gate</b>	Priority:2
<b>Enlarge door opening</b>	\$3,500
Notes: Width of clear opening is 28-1/2" (32" min).	
State: 1133B.2.2, 1133B.2.3	
Federal: 4.13.5	
<b>Adjust door closer</b>	\$100
Notes: Operating effort is 10 lbs (5 lbs max).	
State: 1133B.2.5	
Federal: 4.13.11	
<b>Install or modify permanent room signs</b>	\$250
Notes: There is an exit sign but Braille is not provided.	
State: -	
Federal: 1117B.5.7, 4.30.6	
<b>8 - 42 Door/Gate</b>	Priority:2
<b>Enlarge door opening</b>	\$3,500
Notes: Width of clear opening is 28-1/2" (32" min).	
State: 1133B.2.2, 1133B.2.3	
Federal: 4.13.5	
<b>Adjust door closer</b>	\$100
Notes: Operating effort is 23 lbs (5 lbs max).	
State: 1133B.2.5	
Federal: 4.13.11	

**Fresno**

Selland Arena (SA)

<b>Floor Balcony</b>	
<b>8 - 43 Door/Gate</b>	Priority:2
<b>Enlarge door opening</b>	\$3,500
Notes: Width of clear opening is 28-1/2" (32" min).	
State: 1133B.2.2, 1133B.2.3	
Federal: 4.13.5	
<b>Adjust door closer</b>	\$100
Notes: Operating effort is 14 lbs (5 lbs max).	
State: 1133B.2.5	
Federal: 4.13.11	
<b>8 - 44 Door/Gate</b>	Priority:2
<b>Enlarge door opening</b>	\$3,500
Notes: Width of clear opening is 28-1/2" (32" min).	
State: 1133B.2.2, 1133B.2.3	
Federal: 4.13.5	
<b>Adjust door closer</b>	\$100
Notes: Operating effort is 16 lbs (5 lbs max).	
State: 1133B.2.5	
Federal: 4.13.11	
<b>8 - 45 Door/Gate</b>	Priority:2
<b>Enlarge door opening</b>	\$3,500
Notes: Width of clear opening is 28-1/2" (32" min).	
State: 1133B.2.2, 1133B.2.3	
Federal: 4.13.5	
<b>Adjust door closer</b>	\$100
Notes: Operating effort is 11 lbs (5 lbs max).	
State: 1133B.2.5	
Federal: 4.13.11	
<b>Provide or modify door kickplate</b>	\$100
Notes: Doorstop is mounted on kickplate.	
State: 1133B.2.6	
Federal: -	
<b>Install or modify permanent room signs</b>	\$250
Notes: There is an exit sign but Braille is not provided.	
State: -	
Federal: 1117B.5.7, 4.30.6	

**Fresno**

Selland Arena (SA)

<b>Floor Balcony</b>	
<b>8 - 46</b>	<b>Door/Gate</b> <span style="float: right;">Priority:2</span>
<b>Enlarge door opening</b>	<b>\$3,500</b>
Notes: Width of clear opening is 28-1/2" (32" min).	
State: 1133B.2.2, 1133B.2.3	
Federal: 4.13.5	
<b>Adjust door closer</b>	<b>\$100</b>
Notes: Operating effort is 10 lbs (5 lbs max).	
State: 1133B.2.5	
Federal: 4.13.11	
<b>Provide or modify door kickplate</b>	<b>\$100</b>
Notes: Doorstop is mounted on kickplate.	
State: 1133B.2.6	
Federal: -	
<b>8 - 47</b>	<b>Door/Gate</b> <span style="float: right;">Priority:2</span>
<b>Enlarge door opening</b>	<b>\$3,500</b>
Notes: Width of clear opening is 28-1/2" (32" min).	
State: 1133B.2.2, 1133B.2.3	
Federal: 4.13.5	
<b>Adjust door closer</b>	<b>\$100</b>
Notes: Operating effort is 10 lbs (5 lbs max).	
State: 1133B.2.5	
Federal: 4.13.11	
<b>Provide or modify door kickplate</b>	<b>\$100</b>
Notes: Doorstop is mounted on kickplate.	
State: 1133B.2.6	
Federal: -	

**Fresno**

Selland Arena (SA)

<b>Floor Balcony</b>	
<b>8 - 48</b>	<b>Door/Gate</b> <span style="float: right;">Priority:2</span>
<b>Enlarge door opening</b>	<b>\$3,500</b>
Notes: Width of clear opening is 28-1/2" (32" min).	
State: 1133B.2.2, 1133B.2.3	
Federal: 4.13.5	
<b>Adjust door closer</b>	<b>\$100</b>
Notes: Operating effort is 9 lbs (5 lbs max).	
State: 1133B.2.5	
Federal: 4.13.11	
<b>Provide or modify door kickplate</b>	<b>\$100</b>
Notes: Doorstop is mounted on kickplate.	
State: 1133B.2.6	
Federal: -	
<b>8 - 49</b>	<b>Door/Gate</b> <span style="float: right;">Priority:2</span>
<b>Enlarge door opening</b>	<b>\$3,500</b>
Notes: Width of clear opening is 28-1/2" (32" min).	
State: 1133B.2.2, 1133B.2.3	
Federal: 4.13.5	
<b>Adjust door closer</b>	<b>\$100</b>
Notes: Operating effort is 19 lbs (5 lbs max).	
State: 1133B.2.5	
Federal: 4.13.11	
<b>Provide or modify door kickplate</b>	<b>\$100</b>
Notes: Doorstop is mounted on kickplate.	
State: 1133B.2.6	
Federal: -	
<b>Install or modify permanent room signs</b>	<b>\$250</b>
Notes: There is an exit sign but Braille is not provided.	
State: -	
Federal: 1117B.5.7, 4.30.6	



**Fresno**

Selland Arena (SA)

<b>Floor Balcony</b>	
<b>8 - 50 Door/Gate</b>	<b>Priority:2</b>
<b>Enlarge door opening</b>	<b>\$3,500</b>
Notes: Width of clear opening is 28-1/2" (32" min).	
State: 1133B.2.2, 1133B.2.3	
Federal: 4.13.5	
<b>Adjust door closer</b>	<b>\$100</b>
Notes: Operating effort is 16 lbs (5 lbs max).	
State: 1133B.2.5	
Federal: 4.13.11	
<b>Provide or modify door kickplate</b>	<b>\$100</b>
Notes: Doorstop is mounted on kickplate.	
State: 1133B.2.6	
Federal: -	
<b>8 - 51 Door/Gate</b>	<b>Priority:2</b>
<b>Enlarge door opening</b>	<b>\$3,500</b>
Notes: Width of clear opening is 28-1/2" (32" min).	
State: 1133B.2.2, 1133B.2.3	
Federal: 4.13.5	
<b>Adjust door closer</b>	<b>\$100</b>
Notes: Operating effort is 15 lbs (5 lbs max).	
State: 1133B.2.5	
Federal: 4.13.11	
<b>Provide or modify door kickplate</b>	<b>\$100</b>
Notes: Doorstop is mounted on kickplate.	
State: 1133B.2.6	
Federal: -	

**Fresno**

Selland Arena (SA)

<b>Floor Balcony</b>	
<b>8 - 52</b>	<b>Door/Gate</b> <span style="float: right;">Priority:2</span>
<b>Enlarge door opening</b>	<b>\$3,500</b>
Notes: Width of clear opening is 28-1/2" (32" min).	
State: 1133B.2.2, 1133B.2.3	
Federal: 4.13.5	
<b>Adjust door closer</b>	<b>\$100</b>
Notes: Operating effort is 10 lbs (5 lbs max).	
State: 1133B.2.5	
Federal: 4.13.11	
<b>Provide or modify door kickplate</b>	<b>\$100</b>
Notes: Doorstop is mounted on kickplate.	
State: 1133B.2.6	
Federal: -	
<b>8 - 53</b>	<b>Door/Gate</b> <span style="float: right;">Priority:2</span>
<b>Enlarge door opening</b>	<b>\$3,500</b>
Notes: Width of clear opening is 28-1/2" (32" min).	
State: 1133B.2.2, 1133B.2.3	
Federal: 4.13.5	
<b>Adjust door closer</b>	<b>\$100</b>
Notes: Operating effort is 15 lbs (5 lbs max).	
State: 1133B.2.5	
Federal: 4.13.11	
<b>Provide or modify door kickplate</b>	<b>\$100</b>
Notes: Doorstop is mounted on kickplate.	
State: 1133B.2.6	
Federal: -	
<b>Install or modify permanent room signs</b>	<b>\$250</b>
Notes: There is an exit sign but Braille is not provided.	
State: -	
Federal: 1117B.5.7, 4.30.6	

**Fresno**

Selland Arena (SA)

<b>Floor Balcony</b>	
<b>8 - 54</b>	<b>Door/Gate</b> <span style="float: right;">Priority:2</span>
<b>Enlarge door opening</b>	<b>\$3,500</b>
Notes: Width of clear opening is 28-1/2" (32" min).	
State: 1133B.2.2, 1133B.2.3	
Federal: 4.13.5	
<b>Adjust door closer</b>	<b>\$100</b>
Notes: Operating effort is 15 lbs (5 lbs max).	
State: 1133B.2.5	
Federal: 4.13.11	
<b>Provide or modify door kickplate</b>	<b>\$100</b>
Notes: Doorstop is mounted on kickplate.	
State: 1133B.2.6	
Federal: -	
<b>8 - 55</b>	<b>Door/Gate</b> <span style="float: right;">Priority:2</span>
<b>Enlarge door opening</b>	<b>\$3,500</b>
Notes: Width of clear opening is 28-1/2" (32" min).	
State: 1133B.2.2, 1133B.2.3	
Federal: 4.13.5	
<b>Adjust door closer</b>	<b>\$100</b>
Notes: Operating effort is 20 lbs (5 lbs max).	
State: 1133B.2.5	
Federal: 4.13.11	
<b>Provide or modify door kickplate</b>	<b>\$100</b>
Notes: Doorstop is mounted on kickplate.	
State: 1133B.2.6	
Federal: -	

**Fresno**

Selland Arena (SA)

<b>Floor Balcony</b>	
<b>8 - 56</b>	<b>Door/Gate</b> <span style="float: right;">Priority:2</span>
<b>Enlarge door opening</b>	<b>\$3,500</b>
Notes: Width of clear opening is 28-1/2" (32" min).	
State: 1133B.2.2, 1133B.2.3	
Federal: 4.13.5	
<b>Adjust door closer</b>	<b>\$100</b>
Notes: Operating effort is 7 lbs (5 lbs max).	
State: 1133B.2.5	
Federal: 4.13.11	
<b>Provide or modify door kickplate</b>	<b>\$100</b>
Notes: Doorstop is mounted on kickplate.	
State: 1133B.2.6	
Federal: -	
<b>8 - 57</b>	<b>Door/Gate</b> <span style="float: right;">Priority:2</span>
<b>Enlarge door opening</b>	<b>\$3,500</b>
Notes: Width of clear opening is 28-1/2" (32" min).	
State: 1133B.2.2, 1133B.2.3	
Federal: 4.13.5	
<b>Adjust door closer</b>	<b>\$100</b>
Notes: Operating effort is 8 lbs (5 lbs max).	
State: 1133B.2.5	
Federal: 4.13.11	
<b>Provide or modify door kickplate</b>	<b>\$100</b>
Notes: Doorstop is mounted on kickplate.	
State: 1133B.2.6	
Federal: -	
<b>Install or modify permanent room signs</b>	<b>\$250</b>
Notes: There is an exit sign but Braille is not provided.	
State: -	
Federal: 1117B.5.7, 4.30.6	

**Fresno**

Selland Arena (SA)

<b>Floor Balcony</b>	
<b>8 - 58</b>	<b>Door/Gate</b> <span style="float: right;">Priority:2</span>
<b>Enlarge door opening</b>	<b>\$3,500</b>
Notes: Width of clear opening is 28-1/2" (32" min).	
State: 1133B.2.2, 1133B.2.3	
Federal: 4.13.5	
<b>Adjust door closer</b>	<b>\$100</b>
Notes: Operating effort is 15 lbs (5 lbs max).	
State: 1133B.2.5	
Federal: 4.13.11	
<b>Provide or modify door kickplate</b>	<b>\$100</b>
Notes: Doorstop is mounted on kickplate.	
State: 1133B.2.6	
Federal: -	
<b>8 - 59</b>	<b>Door/Gate</b> <span style="float: right;">Priority:2</span>
<b>Enlarge door opening</b>	<b>\$3,500</b>
Notes: Width of clear opening is 28-1/2" (32" min).	
State: 1133B.2.2, 1133B.2.3	
Federal: 4.13.5	
<b>Provide or modify door kickplate</b>	<b>\$100</b>
Notes: Doorstop is mounted on kickplate.	
State: 1133B.2.6	
Federal: -	
<b>8 - 60</b>	<b>Door/Gate</b> <span style="float: right;">Priority:2</span>
<b>Enlarge door opening</b>	<b>\$3,500</b>
Notes: Width of clear opening is 28-1/2" (32" min).	
State: 1133B.2.2, 1133B.2.3	
Federal: 4.13.5	
<b>Adjust door closer</b>	<b>\$100</b>
Notes: Operating effort is 8 lbs (5 lbs max).	
State: 1133B.2.5	
Federal: 4.13.11	
<b>Provide or modify door kickplate</b>	<b>\$100</b>
Notes: Doorstop is mounted on kickplate.	
State: 1133B.2.6	
Federal: -	

**Fresno**

Selland Arena (SA)

<b>Floor Balcony</b>	
<b>8 - 61 Door/Gate</b>	Priority:2
<b>Enlarge door opening</b>	\$3,500
Notes: Width of clear opening is 28-1/2" (32" min).	
State: 1133B.2.2, 1133B.2.3	
Federal: 4.13.5	
<b>Adjust door closer</b>	\$100
Notes: Operating effort is 13 lbs (5 lbs max).	
State: 1133B.2.5	
Federal: 4.13.11	
<b>Install or modify permanent room signs</b>	\$250
Notes: There is an exit sign but Braille is not provided.	
State: -	
Federal: 1117B.5.7, 4.30.6	
<b>8 - 62 Door/Gate</b>	Priority:2
<b>Enlarge door opening</b>	\$3,500
Notes: Width of clear opening is 28-1/2" (32" min).	
State: 1133B.2.2, 1133B.2.3	
Federal: 4.13.5	
<b>Adjust door closer</b>	\$100
Notes: Operating effort is 15 lbs (5 lbs max).	
State: 1133B.2.5	
Federal: 4.13.11	
<b>8 - 63 Door/Gate</b>	Priority:2
<b>Enlarge door opening</b>	\$3,500
Notes: Width of clear opening is 28-1/2" (32" min).	
State: 1133B.2.2, 1133B.2.3	
Federal: 4.13.5	
<b>Adjust door closer</b>	\$100
Notes: Operating effort is 20 lbs (5 lbs max).	
State: 1133B.2.5	
Federal: 4.13.11	
<b>8 - 64 Door/Gate</b>	Priority:2
<b>Enlarge door opening</b>	\$3,500
Notes: Width of clear opening is 28-1/2" (32" min).	
State: 1133B.2.2, 1133B.2.3	
Federal: 4.13.5	

**Fresno**

Selland Arena (SA)

<b>Floor Balcony</b>	
<b>8 - 65</b>	<b>Door/Gate</b> <span style="float: right;">Priority:2</span>
<b>Enlarge door opening</b>	<b>\$3,500</b>
Notes: Width of clear opening is 28-1/2" (32" min).	
State: 1133B.2.2, 1133B.2.3	
Federal: 4.13.5	
<b>Adjust door closer</b>	<b>\$100</b>
Notes: Operating effort is 10 lbs (5 lbs max).	
State: 1133B.2.5	
Federal: 4.13.11	
<b>Install or modify permanent room signs</b>	<b>\$250</b>
Notes: There is an exit sign but Braille is not provided.	
State: -	
Federal: 1117B.5.7, 4.30.6	
<b>8 - 66</b>	<b>Door/Gate</b> <span style="float: right;">Priority:2</span>
<b>Enlarge door opening</b>	<b>\$3,500</b>
Notes: Width of clear opening is 28-1/2" (32" min).	
State: 1133B.2.2, 1133B.2.3	
Federal: 4.13.5	
<b>Adjust door closer</b>	<b>\$100</b>
Notes: Operating effort is 10 lbs (5 lbs max).	
State: 1133B.2.5	
Federal: 4.13.11	
<b>Provide or modify door kickplate</b>	<b>\$100</b>
Notes: Doorstop is mounted on kickplate.	
State: 1133B.2.6	
Federal: -	

**Fresno**

Selland Arena (SA)

<b>Floor Balcony</b>	
<b>8 - 67 Door/Gate</b>	Priority:2
<b>Enlarge door opening</b>	\$3,500
Notes: Width of clear opening is 28-1/2" (32" min).	
State: 1133B.2.2, 1133B.2.3	
Federal: 4.13.5	
<b>Adjust door closer</b>	\$100
Notes: Operating effort is 10 lbs (5 lbs max).	
State: 1133B.2.5	
Federal: 4.13.11	
<b>Provide or modify door kickplate</b>	\$0
Notes: Doorstop is mounted on kickplate.	
State: 1133B.2.6	
Federal: -	
<b>8 - 68 Door/Gate</b>	Priority:2
<b>Enlarge door opening</b>	\$3,500
Notes: Width of clear opening is 28-1/2" (32" min).	
State: 1133B.2.2, 1133B.2.3	
Federal: 4.13.5	
<b>Adjust door closer</b>	\$100
Notes: Operating effort is 12 lbs (5 lbs max).	
State: 1133B.2.5	
Federal: 4.13.11	
<b>Provide or modify door kickplate</b>	\$0
Notes: Doorstop is mounted on kickplate.	
State: 1133B.2.6	
Federal: -	
<b>8 - 69 Door/Gate</b>	Priority:2
<b>Enlarge door opening</b>	\$3,500
Notes: Width of clear opening is 28-1/2" (32" min).	
State: 1133B.2.2, 1133B.2.3	
Federal: 4.13.5	



**Fresno**

Selland Arena (SA)

<b>Floor Balcony</b>	
<b>8 - 70 Door/Gate</b>	Priority:2
<b>Enlarge door opening</b>	\$3,500
Notes: Width of clear opening is 28-1/2" (32" min).	
State: 1133B.2.2, 1133B.2.3	
Federal: 4.13.5	
<b>Adjust door closer</b>	\$100
Notes: Operating effort is 10 lbs (5 lbs max).	
State: 1133B.2.5	
Federal: 4.13.11	
<b>8 - 71 Door/Gate</b>	Priority:2
<b>Enlarge door opening</b>	\$3,500
Notes: Width of clear opening is 28-1/2" (32" min).	
State: 1133B.2.2, 1133B.2.3	
Federal: 4.13.5	
<b>Adjust door closer</b>	\$100
Notes: Operating effort is 9 lbs (5 lbs max).	
State: 1133B.2.5	
Federal: 4.13.11	
<b>8 - 72 Door/Gate</b>	Priority:2
<b>Enlarge door opening</b>	\$3,500
Notes: Width of clear opening is 28-1/2" (32" min).	
State: 1133B.2.2, 1133B.2.3	
Federal: 4.13.5	
<b>Adjust door closer</b>	\$100
Notes: Operating effort is 10 lbs (5 lbs max).	
State: 1133B.2.5	
Federal: 4.13.11	

**Fresno**

Selland Arena (SA)

<b>Floor Balcony</b>		
<b>8 - 73</b>	<b>Door/Gate</b>	<b>Priority:2</b>
<b>Enlarge door opening</b>		<b>\$3,500</b>
Notes: Width of clear opening is 29" (32" min).		
State: 1133B.2.2, 1133B.2.3		
Federal: 4.13.5		
<b>Adjust door closer</b>		<b>\$100</b>
Notes: Operating effort is 30 lbs (5 lbs max).		
State: 1133B.2.5		
Federal: 4.13.11		
<b>Provide or modify door kickplate</b>		<b>\$0</b>
Notes: Doorstop is mounted on kickplate.		
State: 1133B.2.6		
Federal: -		
<b>Install or modify permanent room signs</b>		<b>\$250</b>
Notes: There is an exit sign but Braille is not provided.		
State: -		
Federal: 1117B.5.7, 4.30.6		
<b>8 - 74</b>	<b>Door/Gate</b>	<b>Priority:2</b>
<b>Enlarge door opening</b>		<b>\$3,500</b>
Notes: Width of clear opening is 28-1/2" (32" min).		
State: 1133B.2.2, 1133B.2.3		
Federal: 4.13.5		
<b>Adjust door closer</b>		<b>\$100</b>
Notes: Operating effort is 30 lbs (5 lbs max).		
State: 1133B.2.5		
Federal: 4.13.11		
<b>Provide or modify door kickplate</b>		<b>\$0</b>
Notes: Doorstop is mounted on kickplate.		
State: 1133B.2.6		
Federal: -		

**Fresno**

Selland Arena (SA)

<b>Floor Balcony</b>		
<b>8 - 75</b>	<b>Door/Gate</b>	Priority:2
<b>Enlarge door opening</b>		\$3,500
Notes: Width of clear opening is 28-1/2" (32" min).		
State: 1133B.2.2, 1133B.2.3		
Federal: 4.13.5		
<b>Adjust door closer</b>		\$100
Notes: Operating effort is 10 lbs (5 lbs max).		
State: 1133B.2.5		
Federal: 4.13.11		
<b>Provide or modify door kickplate</b>		\$100
Notes: Doorstop is mounted on kickplate.		
State: 1133B.2.6		
Federal: -		
<b>8 - 76</b>	<b>Door/Gate</b>	Priority:2
<b>Enlarge door opening</b>		\$3,500
Notes: Width of clear opening is 28-1/2" (32" min).		
State: 1133B.2.2, 1133B.2.3		
Federal: 4.13.5		
<b>Adjust door closer</b>		\$100
Notes: Operating effort is 10 lbs (5 lbs max).		
State: 1133B.2.5		
Federal: 4.13.11		
<b>Provide or modify door kickplate</b>		\$100
Notes: Doorstop is mounted on kickplate.		
State: 1133B.2.6		
Federal: -		
<b>10 - 1</b>	<b>Drinking Fountain</b>	Priority:3
<b>Replace or reposition drinking fountain</b>		\$3,500
Notes: Height is 26-1/2" (27" min).		
State: 1115B.4.6 #2		
Federal: 4.15.5		
<b>16 - 1</b>	<b>Transaction Counter</b>	Priority:2
<b>Provide an accessible counter</b>		\$4,000
Notes: Transaction counter is 42-1/4" (28" to 34" max) above the finished floor.		
State: 1122B.5		
Federal: 4.32.4		

**Fresno**

Selland Arena (SA)

<b>Floor Balcony</b>	
<b>16 - 2</b>	<b>Transaction Counter</b> <span style="float: right;">Priority:2</span>
<b>Provide an accessible counter</b>	<b>\$4,000</b>
Notes: Condiment counter is 36-1/2" (28" to 34" max) above the finished floor.	
State: 1122B.5	
Federal: 4.32.4	
<b>16 - 3</b>	<b>Transaction Counter</b> <span style="float: right;">Priority:2</span>
<b>Provide an accessible counter</b>	<b>\$4,000</b>
Notes: Condiment counter is 36-1/2" (28" to 34" max) above the finished floor.	
State: 1122B.5	
Federal: 4.32.4	
<b>16 - 4</b>	<b>Transaction Counter</b> <span style="float: right;">Priority:2</span>
<b>Provide an accessible counter</b>	<b>\$4,000</b>
Notes: Transaction counter is 42-1/2" (28" to 34" max) above the finished floor.	
State: 1122B.5	
Federal: 4.32.4	

**Fresno**

Selland Arena (SA)

<b>Floor Balcony</b>	
<b>19 - 1 Multiple User Restroom</b>	Priority:2
<b>Install sign</b>	<b>\$100</b>
Notes: Federal required signage is centered 48" (60" req) above the finished floor. Raise signage.	
State: 1115B.6, 1117B.5.1 #1	
Federal: 4.30.4	
<b>Replace or reposition dispensers or mirrors</b>	<b>\$500</b>
Notes: Towel dispenser is 50" (40" max) and soap dispenser is 41" (40" max) above the finished floor.	
State: 1115B.8.3	
Federal: 4.23.7	
<b>Modify lavatory/counter clearances</b>	<b>\$1,500</b>
Notes: The space under the bowl is 25" (27" min) when measured 8" from the front edge.	
State: 1115B.4.3 #2	
Federal: 4.19.2	
<b>Insulate water lines</b>	<b>\$100</b>
Notes: Hot water pipe is not insulated.	
State: 1115B.4.3 #4	
Federal: 4.19.4	
<b>Replace or reposition urinal</b>	<b>\$3,500</b>
Notes: Urinal flush control is mounted 49" (44" max) above the finished floor.	
State: 1115B.4.2 #2	
Federal: 4.18.2	
<b>Provide or replace stall door hardware</b>	<b>\$100</b>
Notes: Stall door does not have U-shaped handle on the back.	
State: 1115B.3.1 #4.5	
Federal: 4.13.9	
<b>Modify stall partitions and doors</b>	<b>\$800</b>
Notes: Door width for side-entry stall is 33" (34" min).	
State: 1115B.3.1 #4.4	
Federal: -	
<b>Modify stall partitions and doors</b>	<b>\$500</b>
Notes: Stall width is 59" (60" min).	
State: -	
Federal: 4.17.3	

**Fresno**

Selland Arena (SA)

<b>Floor Balcony</b>	
<b>19 - 1 Multiple User Restroom</b>	<b>Priority:2</b>
<b>Replace toilet or adjust toilet seat height</b>	<b>\$200</b>
Notes: Toilet seat height is 16" (17" to 19" max) above the finished floor.	
State: 1115B.4.1 #4	
Federal: 4.16.3	
<b>Replace or reposition fixtures</b>	<b>\$1,000</b>
Notes: Space from the wall to the centerline of the toilet is 18-1/2" (18" req).	
State: 1115B.7.1.3	
Federal: 4.17.3	
<b>Replace or reposition dispensers or mirrors</b>	<b>\$100</b>
Notes: Seat cover dispenser is 41" (40" max) above the finished floor.	
State: 1115B.8.3	
Federal: 4.23.7	
<b>Provide an additional front transfer stall</b>	<b>\$2,500</b>
Notes: Front transfer stall is not provided.	
State: 1115B.3.1 #5, 1115B.4.1 #3, 1115B.5	
Federal: 4.17.3	

**Fresno**

Selland Arena (SA)

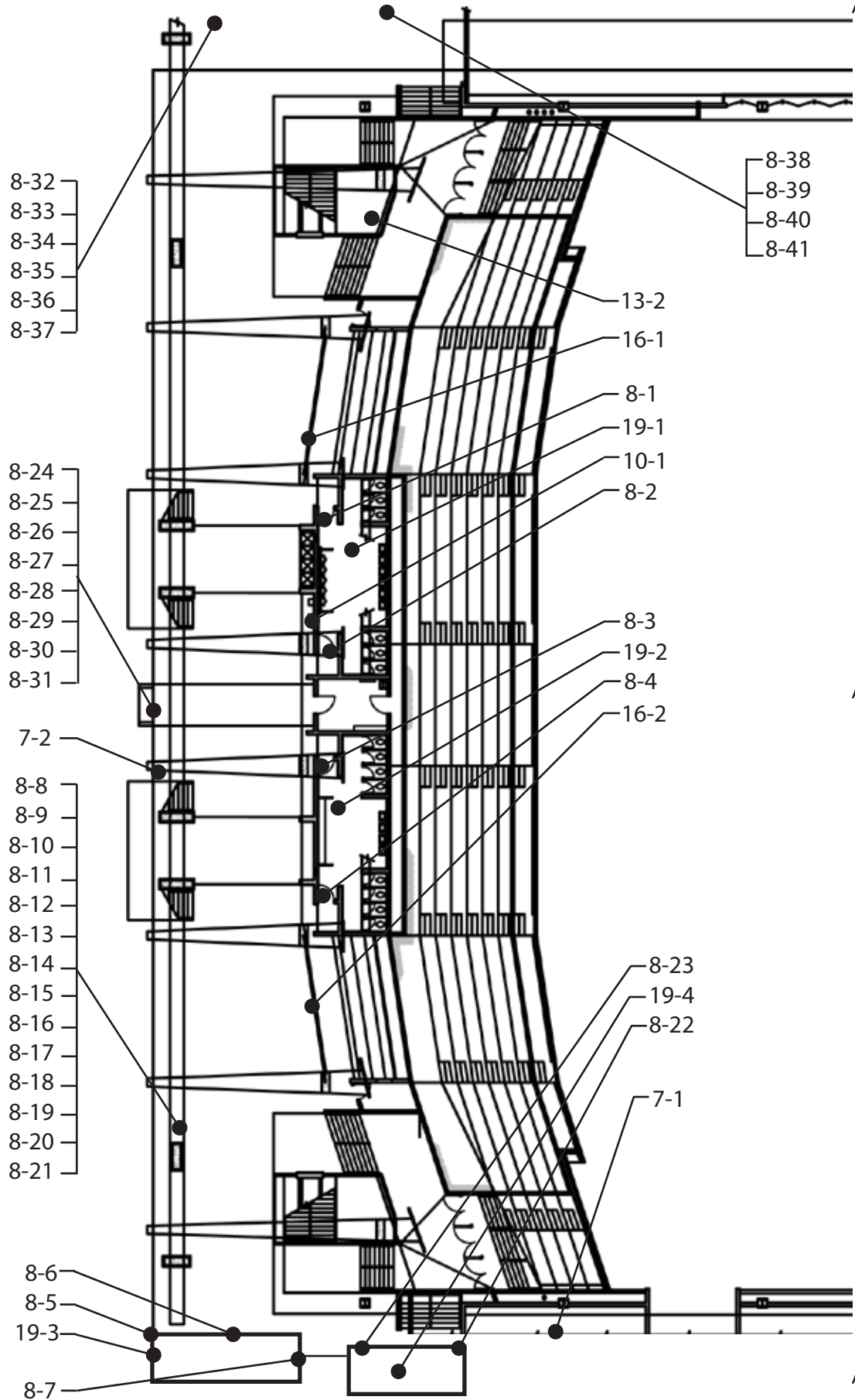
<b>Floor Balcony</b>	
<b>19 - 2 Multiple User Restroom</b>	Priority:2
<b>Install sign</b>	<b>\$100</b>
Notes: Federal required signage is centered 46-1/2" (60" req) above the finished floor. Raise signage.	
State: 1115B.6, 1117B.5.1 #1	
Federal: 4.30.4	
<b>Replace or reposition dispensers or mirrors</b>	<b>\$200</b>
Notes: Mirror is mounted so bottom of reflecting surface is 45" (40" max) above the finished floor.	
State: 1115B.8.1	
Federal: 4.19.6	
<b>Replace or reposition dispensers or mirrors</b>	<b>\$500</b>
Notes: Towel dispenser is 51" (40" max) and soap dispenser is 44" (40" max) above the finished floor.	
State: 1115B.8.3	
Federal: 4.23.7	
<b>Modify lavatory/counter clearances</b>	<b>\$1,500</b>
Notes: Space under the bowl is 25-1/2" (27" min) when measured 8" from the front edge.	
State: 1115B.4.3 #2	
Federal: 4.19.2	
<b>Replace or adjust water controls</b>	<b>\$500</b>
Notes: Water valve remains open for 2 seconds (10 seconds min).	
State: 1115B.8.3	
Federal: 4.19.5, 4.27.4	
<b>Provide an additional front transfer stall</b>	<b>\$2,500</b>
Notes: Accessible front transfer stall is not provided.	
State: 1115B.3.1 #5, 1115B.4.1 #3, 1115B.5	
Federal: 4.17.3	
<b>Replace or reposition dispensers or mirrors</b>	<b>\$100</b>
Notes: Seat cover dispenser is 42" (40" max) above the finished floor.	
State: 1115B.8.3	
Federal: 4.23.7	
<b>Replace or modify grab bars</b>	<b>\$350</b>
Notes: Side grab bar is 21" (24" min) in front of the toilet. Side grab bar is positioned so the front end is 48" (54" min) from the back wall.	
State: 1115B.4.1 #3.1, 1115B.4.1 #3.2	
Federal: 4.17.6	

**Fresno**

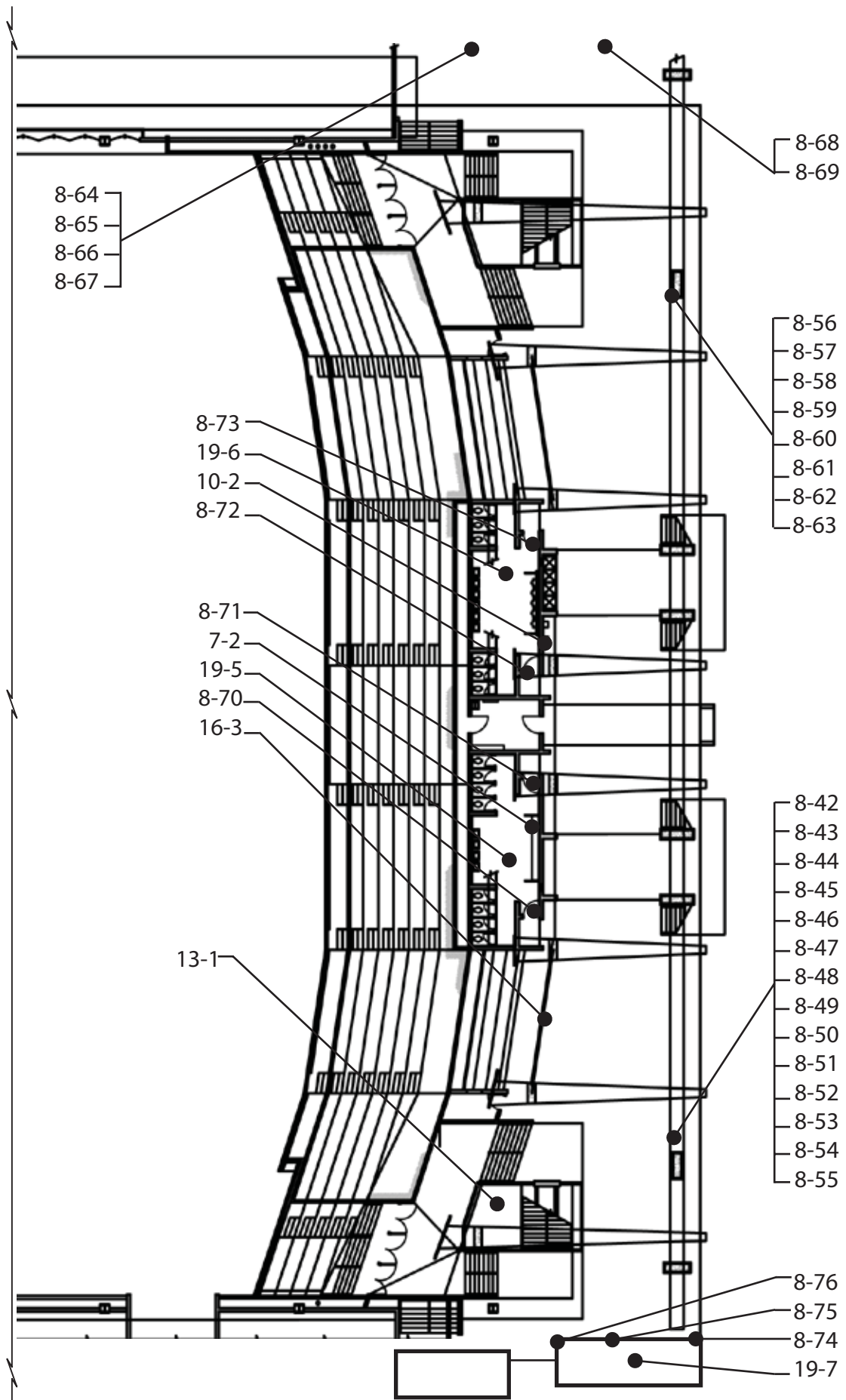
Selland Arena (SA)

<b>Floor Balcony</b>	
<b>19 - 2 Multiple User Restroom</b>	Priority:2
<b>Modify stall partitions and doors</b>	\$500
Notes: Stall width is 59-1/2" (60" min).	
State: -	
Federal: 4.17.3	
<b>Provide or replace stall door hardware</b>	\$100
Notes: Stall door does not have U-shaped handle on the back. Stall door is not self-closing.	
State: 1115B.3.1 #4.5	
Federal: 4.13.9	





Seland Arena - West Wing - Loge Floor  
700 M Street, Fresno



Selland Arena - East Wing - Loge Floor  
700 M Street, Fresno

**Fresno**

Selland Arena (SA)

<b>Floor Loge</b>		
<b>7 - 1</b>	<b>Hazard</b>	Priority:2
<b>Remove overhanging or protruding objects</b>		\$100
Notes: Fire extinguisher protrudes 8-1/2" (4" max) and is 48" (not between 27" to 80") above the finished floor.		
State: 1133B.8.6.1		
Federal: 4.4.1		
<b>7 - 2</b>	<b>Hazard</b>	Priority:2
<b>Remove overhanging or protruding objects</b>		\$100
Notes: Sanitary napkin dispenser protrudes 6-1/2" (4" max) and is 45-1/4" (not between 27" to 80") above the finished floor.		
State: 1133B.8.6.1		
Federal: 4.4.1		
<b>8 - 1</b>	<b>Door/Gate</b>	Priority:2
<b>Adjust door closer</b>		\$100
Notes: Operating effort is 12 lbs (5 lbs max).		
State: 1133B.2.5		
Federal: 4.13.11		
<b>Provide additional strike edge clearance</b>		\$3,000
Notes: Strike-edge clearance on swing-side is 11-1/2" (18" min).		
State: 1133B.2.4.3		
Federal: 4.13.6		
<b>Provide additional strike edge clearance</b>		\$3,000
Notes: Strike-edge clearance on push-side is 11-1/2" (12" min).		
State: 1133B.2.4.3		
Federal: 4.13.6		
<b>8 - 2</b>	<b>Door/Gate</b>	Priority:2
<b>Adjust door closer</b>		\$100
Notes: Operating effort is 29 lbs (5 lbs max).		
State: 1133B.2.5		
Federal: 4.13.11		
<b>Provide additional strike edge clearance</b>		\$3,000
Notes: Strike-edge clearance on swing-side is 10-1/2" (18" min).		
State: 1133B.2.4.3		
Federal: 4.13.6		
<b>Provide additional strike edge clearance</b>		\$3,000
Notes: Strike-edge clearance on push-side is 10-1/2" (12" min).		
State: 1133B.2.4.3		
Federal: 4.13.6		

**Fresno**

Selland Arena (SA)

<b>Floor Loge</b>	
<b>8 - 3</b>	<b>Door/Gate</b> <span style="float: right;">Priority:2</span>
<b>Adjust door closer</b>	<b>\$100</b>
Notes: Operating effort is 16 lbs (5 lbs max).	
State: 1133B.2.5	
Federal: 4.13.11	
<b>Provide additional strike edge clearance</b>	<b>\$3,000</b>
Notes: Strike-edge clearance on swing-side is 10-1/2" (18" min).	
State: 1133B.2.4.3	
Federal: 4.13.6	
<b>Provide additional strike edge clearance</b>	<b>\$3,000</b>
Notes: Strike-edge clearance on push-side is 10-1/2" (12" min).	
State: 1133B.2.4.3	
Federal: 4.13.6	
<b>8 - 4</b>	<b>Door/Gate</b> <span style="float: right;">Priority:2</span>
<b>Adjust door closer</b>	<b>\$100</b>
Notes: Operating effort is 15 lbs (5 lbs max).	
State: 1133B.2.5	
Federal: 4.13.11	
<b>Provide additional strike edge clearance</b>	<b>\$3,000</b>
Notes: Strike-edge clearance on swing-side is 11" (18" min).	
State: 1133B.2.4.3	
Federal: 4.13.6	
<b>Provide additional strike edge clearance</b>	<b>\$3,000</b>
Notes: Strike-edge clearance on push-side is 11" (12" min).	
State: 1133B.2.4.3	
Federal: 4.13.6	

**Fresno**

Selland Arena (SA)

<b>Floor Loge</b>	
<b>8 - 5</b>	<b>Door/Gate</b> <span style="float: right;">Priority:2</span>
<b>Adjust door closer</b>	<b>\$100</b>
Notes: Operating effort is 20 lbs (5 lbs max).	
State: 1133B.2.5	
Federal: 4.13.11	
<b>Install or modify permanent room signs</b>	<b>\$250</b>
Notes: Federal required signage is centered at 48-1/2" (60" req) above the finished floor.	
State: -	
Federal: 1117B.5.7, 4.30.6	
<b>Install or modify permanent room signs</b>	<b>\$250</b>
Notes: California required signage is not provided. Inadequate signage is centered at 64" (60" req) above the finished floor.	
State: -	
Federal: 1117B.5.7, 4.30.6	
<b>8 - 6</b>	<b>Door/Gate</b> <span style="float: right;">Priority:2</span>
<b>Adjust door closer</b>	<b>\$100</b>
Notes: Operating effort exceeds 5 lbs (5 lbs max).	
State: 1133B.2.5	
Federal: 4.13.11	
<b>Install or modify permanent room signs</b>	<b>\$250</b>
Notes: Federal required signage is centered at 47-1/2" (60" req) above the finished floor.	
State: -	
Federal: 1117B.5.7, 4.30.6	
<b>8 - 7</b>	<b>Door/Gate</b> <span style="float: right;">Priority:2</span>
<b>Adjust door closer</b>	<b>\$100</b>
Notes: Operating effort is 16 lbs (5 lbs max).	
State: 1133B.2.5	
Federal: 4.13.11	
<b>Install or modify permanent room signs</b>	<b>\$250</b>
Notes: Federal required signage is centered at 48" (60" req) above the finished floor.	
State: -	
Federal: 1117B.5.7, 4.30.6	

**Fresno**

Selland Arena (SA)

<b>Floor Loge</b>	
<b>8 - 8 Door/Gate</b>	Priority: 1
<b>Adjust door closer</b>	\$100
Notes: Operating effort is 18 lbs (5 lbs max).	
State: 1133B.2.5	
Federal: 4.13.11	
<b>Install or modify permanent room signs</b>	\$250
Notes: There is an exit sign but Braille is not provided.	
State: -	
Federal: 1117B.5.7, 4.30.6	
<b>8 - 9 Door/Gate</b>	Priority: 1
<b>Adjust door closer</b>	\$100
Notes: Operating effort is 20 lbs (5 lbs max).	
State: 1133B.2.5	
Federal: 4.13.11	
<b>8 - 10 Door/Gate</b>	Priority: 1
<b>Adjust door closer</b>	\$100
Notes: Operating effort is 30 lbs (5 lbs max).	
State: 1133B.2.5	
Federal: 4.13.11	
<b>Install or modify permanent room signs</b>	\$250
Notes: There is an exit sign but Braille is not provided.	
State: -	
Federal: 1117B.5.7, 4.30.6	
<b>8 - 11 Door/Gate</b>	Priority: 1
<b>Adjust door closer</b>	\$100
Notes: Operating effort is 30 lbs (5 lbs max).	
State: 1133B.2.5	
Federal: 4.13.11	
<b>8 - 12 Door/Gate</b>	Priority: 1
<b>Adjust door closer</b>	\$100
Notes: Operating effort is 30 lbs (5 lbs max).	
State: 1133B.2.5	
Federal: 4.13.11	
<b>Install or modify permanent room signs</b>	\$250
Notes: There is an exit sign but Braille is not provided.	
State: -	
Federal: 1117B.5.7, 4.30.6	

**Fresno**

Selland Arena (SA)

<b>Floor Loge</b>	
<b>8 - 13 Door/Gate</b>	Priority: 1
<b>Adjust door closer</b>	\$100
Notes: Operating effort is 15 lbs (5 lbs max).	
State: 1133B.2.5	
Federal: 4.13.11	
<b>8 - 14 Door/Gate</b>	Priority: 1
<b>Adjust door closer</b>	\$100
Notes: Operating effort is 18 lbs (5 lbs max).	
State: 1133B.2.5	
Federal: 4.13.11	
<b>Install or modify permanent room signs</b>	\$250
Notes: There is an exit sign but Braille is not provided.	
State: -	
Federal: 1117B.5.7, 4.30.6	
<b>8 - 15 Door/Gate</b>	Priority: 1
<b>Adjust door closer</b>	\$100
Notes: Operating effort is 24 lbs (5 lbs max).	
State: 1133B.2.5	
Federal: 4.13.11	
<b>8 - 16 Door/Gate</b>	Priority: 1
<b>Adjust door closer</b>	\$100
Notes: Operating effort is 24 lbs (5 lbs max).	
State: 1133B.2.5	
Federal: 4.13.11	
<b>Install or modify permanent room signs</b>	\$250
Notes: There is an exit sign but Braille is not provided.	
State: -	
Federal: 1117B.5.7, 4.30.6	
<b>8 - 17 Door/Gate</b>	Priority: 1
<b>Adjust door closer</b>	\$100
Notes: Operating effort is 22 lbs (5 lbs max).	
State: 1133B.2.5	
Federal: 4.13.11	

**Fresno**

Selland Arena (SA)

<b>Floor Loge</b>	
<b>8 - 18 Door/Gate</b>	Priority: 1
<b>Adjust door closer</b>	\$100
Notes: Operating effort exceeds 5 lbs (5 lbs max).	
State: 1133B.2.5	
Federal: 4.13.11	
<b>Install or modify permanent room signs</b>	\$250
Notes: There is an exit sign but Braille is not provided.	
State: -	
Federal: 1117B.5.7, 4.30.6	
<b>8 - 19 Door/Gate</b>	Priority: 1
<b>Adjust door closer</b>	\$100
Notes: Operating effort exceeds 5 lbs (5 lbs max).	
State: 1133B.2.5	
Federal: 4.13.11	
<b>8 - 20 Door/Gate</b>	Priority: 1
<b>Adjust door closer</b>	\$100
Notes: Operating effort exceeds 5 lbs (5 lbs max).	
State: 1133B.2.5	
Federal: 4.13.11	
<b>Install or modify permanent room signs</b>	\$250
Notes: There is an exit sign but Braille is not provided.	
State: -	
Federal: 1117B.5.7, 4.30.6	
<b>8 - 21 Door/Gate</b>	Priority: 1
<b>Adjust door closer</b>	\$100
Notes: Operating effort exceeds 5 lbs (5 lbs max).	
State: 1133B.2.5	
Federal: 4.13.11	
<b>8 - 22 Door/Gate</b>	Priority: 2
<b>Adjust door closer</b>	\$100
Notes: Operating effort is 15 lbs (5 lbs max).	
State: 1133B.2.5	
Federal: 4.13.11	
<b>Provide additional strike edge clearance</b>	\$3,000
Notes: Strike-edge clearance on swing-side is 11" (18" min).	
State: 1133B.2.4.3	
Federal: 4.13.6	



**Fresno**

Selland Arena (SA)

<b>Floor Loge</b>	
<b>8 - 23 Door/Gate</b>	Priority: 2
<b>Adjust door closer</b>	\$100
Notes: Operating effort is 16 lbs (5 lbs max).	
State: 1133B.2.5	
Federal: 4.13.11	
<b>Provide additional strike edge clearance</b>	\$3,000
Notes: Strike-edge clearance on push-side is 7-3/4" (12" min).	
State: 1133B.2.4.3	
Federal: 4.13.6	
<b>8 - 24 Door/Gate</b>	Priority: 1
<b>Adjust door closer</b>	\$100
Notes: Operating effort is 25 lbs (5 lbs max).	
State: 1133B.2.5	
Federal: 4.13.11	
<b>Install or modify permanent room signs</b>	\$250
Notes: There is an exit sign but Braille is not provided.	
State: -	
Federal: 1117B.5.7, 4.30.6	
<b>8 - 25 Door/Gate</b>	Priority: 1
<b>Adjust door closer</b>	\$100
Notes: Operating effort is 15 lbs (5 lbs max).	
State: 1133B.2.5	
Federal: 4.13.11	
<b>8 - 26 Door/Gate</b>	Priority: 1
<b>Adjust door closer</b>	\$100
Notes: Operating effort is 16 lbs (5 lbs max).	
State: 1133B.2.5	
Federal: 4.13.11	
<b>8 - 27 Door/Gate</b>	Priority: 1
<b>Adjust door closer</b>	\$100
Notes: Operating effort is 17 lbs (5 lbs max).	
State: 1133B.2.5	
Federal: 4.13.11	
<b>Install or modify permanent room signs</b>	\$250
Notes: There is an exit sign but Braille is not provided.	
State: -	
Federal: 1117B.5.7, 4.30.6	

**Fresno**

Selland Arena (SA)

<b>Floor Loge</b>	
<b>8 - 28 Door/Gate</b>	Priority: 1
<b>Adjust door closer</b>	\$100
Notes: Operating effort is 11 lbs (5 lbs max).	
State: 1133B.2.5	
Federal: 4.13.11	
<b>8 - 29 Door/Gate</b>	Priority: 1
<b>Adjust door closer</b>	\$100
Notes: Door closer has a sweep time of 1 second (3 seconds min). Operating effort is 17 lbs (5 lbs max).	
State: 1133B.2.5, 1133B.2.5.1	
Federal: 4.13.10, 4.13.11	
<b>8 - 30 Door/Gate</b>	Priority: 1
<b>Adjust door closer</b>	\$100
Notes: Operating effort is 15 lbs (5 lbs max).	
State: 1133B.2.5	
Federal: 4.13.11	
<b>Install or modify permanent room signs</b>	\$250
Notes: There is an exit sign but Braille is not provided.	
State: -	
Federal: 1117B.5.7, 4.30.6	
<b>8 - 31 Door/Gate</b>	Priority: 1
<b>Adjust door closer</b>	\$100
Notes: Operating effort is 11 lbs (5 lbs max).	
State: 1133B.2.5	
Federal: 4.13.11	

**Fresno**

Selland Arena (SA)

<b>Floor Loge</b>	
<b>8 - 32 Door/Gate</b>	Priority: 1
<b>Adjust door closer</b>	\$100
Notes: Operating effort exceeds 5 lbs (5 lbs max).	
State: 1133B.2.5	
Federal: 4.13.11	
<b>Provide or modify door kickplate</b>	\$100
Notes: Doorstop is mounted on kickplate.	
State: 1133B.2.6	
Federal: -	
<b>Install or modify permanent room signs</b>	\$250
Notes: There is an exit sign but Braille is not provided.	
State: -	
Federal: 1117B.5.7, 4.30.6	
<b>8 - 33 Door/Gate</b>	Priority: 1
<b>Adjust door closer</b>	\$100
Notes: Operating effort exceeds 5 lbs (5 lbs max).	
State: 1133B.2.5	
Federal: 4.13.11	
<b>Provide or modify door kickplate</b>	\$100
Notes: Doorstop is mounted on kickplate.	
State: 1133B.2.6	
Federal: -	
<b>8 - 34 Door/Gate</b>	Priority: 1
<b>Adjust door closer</b>	\$100
Notes: Operating effort exceeds 5 lbs (5 lbs max).	
State: 1133B.2.5	
Federal: 4.13.11	
<b>Provide or modify door kickplate</b>	\$100
Notes: Doorstop is mounted on kickplate.	
State: 1133B.2.6	
Federal: -	
<b>Install or modify permanent room signs</b>	\$250
Notes: There is an exit sign but Braille is not provided.	
State: -	
Federal: 1117B.5.7, 4.30.6	

**Fresno**

Selland Arena (SA)

<b>Floor Loge</b>	
<b>8 - 35 Door/Gate</b>	Priority: 1
<b>Adjust door closer</b>	\$100
Notes: Operating effort exceeds 5 lbs (5 lbs max).	
State: 1133B.2.5	
Federal: 4.13.11	
<b>Provide or modify door kickplate</b>	\$100
Notes: Doorstop is mounted on kickplate.	
State: 1133B.2.6	
Federal: -	
<b>8 - 36 Door/Gate</b>	Priority: 1
<b>Adjust door closer</b>	\$100
Notes: Operating effort exceeds 5 lbs (5 lbs max).	
State: 1133B.2.5	
Federal: 4.13.11	
<b>Provide or modify door kickplate</b>	\$100
Notes: Doorstop is mounted on kickplate.	
State: 1133B.2.6	
Federal: -	
<b>Install or modify permanent room signs</b>	\$250
Notes: There is an exit sign but Braille is not provided.	
State: -	
Federal: 1117B.5.7, 4.30.6	
<b>8 - 37 Door/Gate</b>	Priority: 1
<b>Adjust door closer</b>	\$100
Notes: Operating effort exceeds 5 lbs (5 lbs max).	
State: 1133B.2.5	
Federal: 4.13.11	
<b>Provide or modify door kickplate</b>	\$100
Notes: Doorstop is mounted on kickplate.	
State: 1133B.2.6	
Federal: -	

**Fresno**

Selland Arena (SA)

<b>Floor Loge</b>	
<b>8 - 38</b>	<b>Door/Gate</b> <span style="float: right;">Priority: 1</span>
<b>Adjust door closer</b>	\$100
Notes: Operating effort is 20 lbs (5 lbs max).	
State: 1133B.2.5	
Federal: 4.13.11	
<b>Install or modify permanent room signs</b>	\$250
Notes: There is an exit sign but Braille is not provided.	
State: -	
Federal: 1117B.5.7, 4.30.6	
<b>8 - 39</b>	<b>Door/Gate</b> <span style="float: right;">Priority: 1</span>
<b>Adjust door closer</b>	\$100
Notes: Operating effort is 16 lbs (5 lbs max).	
State: 1133B.2.5	
Federal: 4.13.11	
<b>8 - 40</b>	<b>Door/Gate</b> <span style="float: right;">Priority: 1</span>
<b>Adjust door closer</b>	\$100
Notes: Operating effort is 19 lbs (5 lbs max).	
State: 1133B.2.5	
Federal: 4.13.11	
<b>Install or modify permanent room signs</b>	\$250
Notes: There is an exit sign but Braille is not provided.	
State: -	
Federal: 1117B.5.7, 4.30.6	
<b>8 - 41</b>	<b>Door/Gate</b> <span style="float: right;">Priority: 1</span>
<b>Adjust door closer</b>	\$100
Notes: Door closer has a sweep time of 2 seconds (3 seconds min). Operating effort is 16 lbs (5 lbs max).	
State: 1133B.2.5, 1133B.2.5.1	
Federal: 4.13.10, 4.13.11	

**Fresno**

Selland Arena (SA)

<b>Floor Loge</b>	
<b>8 - 42 Door/Gate</b>	Priority: 1
<b>Adjust door closer</b>	\$100
Notes: Operating effort is 18 lbs (5 lbs max).	
State: 1133B.2.5	
Federal: 4.13.11	
<b>Install or modify permanent room signs</b>	\$250
Notes: There is an exit sign but Braille is not provided.	
State: -	
Federal: 1117B.5.7, 4.30.6	
<b>8 - 43 Door/Gate</b>	Priority: 1
<b>Adjust door closer</b>	\$100
Notes: Operating effort exceeds 5 lbs (5 lbs max).	
State: 1133B.2.5	
Federal: 4.13.11	
<b>8 - 44 Door/Gate</b>	Priority: 1
<b>Adjust door closer</b>	\$100
Notes: Operating effort exceeds 5 lbs (5 lbs max).	
State: 1133B.2.5	
Federal: 4.13.11	
<b>8 - 45 Door/Gate</b>	Priority: 1
<b>Adjust door closer</b>	\$100
Notes: Operating effort exceeds 5 lbs (5 lbs max).	
State: 1133B.2.5	
Federal: 4.13.11	
<b>8 - 46 Door/Gate</b>	Priority: 1
<b>Install or modify permanent room signs</b>	\$250
Notes: There is an exit sign but Braille is not provided.	
State: -	
Federal: 1117B.5.7, 4.30.6	
<b>Adjust door closer</b>	\$100
Notes: Door closer has a sweep time of 2 seconds (3 seconds min). Operating effort is 17 lbs (5 lbs max).	
State: 1133B.2.5, 1133B.2.5.1	
Federal: 4.13.10, 4.13.11	

**Fresno**

Selland Arena (SA)

<b>Floor Loge</b>	
<b>8 - 47 Door/Gate</b>	Priority: 1
<b>Adjust door closer</b>	\$100
Notes: Operating effort is 20 lbs (5 lbs max).	
State: 1133B.2.5	
Federal: 4.13.11	
<b>8 - 48 Door/Gate</b>	Priority: 1
<b>Adjust door closer</b>	\$100
Notes: Operating effort is 22 lbs (5 lbs max).	
State: 1133B.2.5	
Federal: 4.13.11	
<b>8 - 49 Door/Gate</b>	Priority: 1
<b>Adjust door closer</b>	\$100
Notes: Operating effort is 22 lbs (5 lbs max).	
State: 1133B.2.5	
Federal: 4.13.11	
<b>8 - 50 Door/Gate</b>	Priority: 1
<b>Adjust door closer</b>	\$100
Notes: Operating effort is 18 lbs (5 lbs max).	
State: 1133B.2.5	
Federal: 4.13.11	
<b>Install or modify permanent room signs</b>	\$250
Notes: There is an exit sign but Braille is not provided.	
State: -	
Federal: 1117B.5.7, 4.30.6	
<b>8 - 51 Door/Gate</b>	Priority: 1
<b>Adjust door closer</b>	\$100
Notes: Operating effort is 30 lbs (5 lbs max).	
State: 1133B.2.5	
Federal: 4.13.11	
<b>8 - 52 Door/Gate</b>	Priority: 1
<b>Adjust door closer</b>	\$100
Notes: Operating effort is 30 lbs (5 lbs max).	
State: 1133B.2.5	
Federal: 4.13.11	

**Fresno**

Selland Arena (SA)

<b>Floor Loge</b>	
<b>8 - 53 Door/Gate</b>	Priority: 1
<b>Adjust door closer</b>	\$100
Notes: Operating effort exceeds 5 lbs (5 lbs max).	
State: 1133B.2.5	
Federal: 4.13.11	
<b>8 - 54 Door/Gate</b>	Priority: 1
<b>Adjust door closer</b>	\$100
Notes: Operating effort is 23 lbs (5 lbs max).	
State: 1133B.2.5	
Federal: 4.13.11	
<b>8 - 55 Door/Gate</b>	Priority: 1
<b>Adjust door closer</b>	\$100
Notes: Operating effort is 25 lbs (5 lbs max).	
State: 1133B.2.5	
Federal: 4.13.11	
<b>8 - 56 Door/Gate</b>	Priority: 1
<b>Adjust door closer</b>	\$100
Notes: Operating effort is 12 lbs (5 lbs max).	
State: 1133B.2.5	
Federal: 4.13.11	
<b>Install or modify permanent room signs</b>	\$250
Notes: There is an exit sign but Braille is not provided.	
State: -	
Federal: 1117B.5.7, 4.30.6	
<b>8 - 57 Door/Gate</b>	Priority: 1
<b>Adjust door closer</b>	\$100
Notes: Operating effort is 20 lbs (5 lbs max). Door closer has a sweep time of 2 seconds (3 seconds min).	
State: 1133B.2.5, 1133B.2.5.1	
Federal: 4.13.10, 4.13.11	
<b>8 - 58 Door/Gate</b>	Priority: 1
<b>Adjust door closer</b>	\$100
Notes: Operating effort is 23 lbs (5 lbs max). Door closer has a sweep time of 1 second (3 seconds min).	
State: 1133B.2.5, 1133B.2.5.1	
Federal: 4.13.10, 4.13.11	



**Fresno**

Selland Arena (SA)

<b>Floor Loge</b>	
<b>8 - 59 Door/Gate</b>	Priority: 1
<b>Adjust door closer</b>	\$100
Notes: Operating effort is 11 lbs (5 lbs max).	
State: 1133B.2.5	
Federal: 4.13.11	
<b>8 - 60 Door/Gate</b>	Priority: 1
<b>Adjust door closer</b>	\$100
Notes: Operating effort exceeds 5 lbs (5 lbs max).	
State: 1133B.2.5	
Federal: 4.13.11	
<b>Provide or modify door kickplate</b>	\$100
Notes: Doorstop is mounted on kickplate.	
State: 1133B.2.6	
Federal: -	
<b>Install or modify permanent room signs</b>	\$250
Notes: There is an exit sign but Braille is not provided.	
State: -	
Federal: 1117B.5.7, 4.30.6	
<b>8 - 61 Door/Gate</b>	Priority: 1
<b>Adjust door closer</b>	\$100
Notes: Operating effort exceeds 5 lbs (5 lbs max).	
State: 1133B.2.5	
Federal: 4.13.11	
<b>Provide or modify door kickplate</b>	\$100
Notes: Doorstop is mounted on kickplate.	
State: 1133B.2.6	
Federal: -	
<b>8 - 62 Door/Gate</b>	Priority: 1
<b>Adjust door closer</b>	\$100
Notes: Operating effort exceeds 5 lbs (5 lbs max).	
State: 1133B.2.5	
Federal: 4.13.11	
<b>Provide or modify door kickplate</b>	\$100
Notes: Doorstop is mounted on kickplate.	
State: 1133B.2.6	
Federal: -	

**Fresno**

Selland Arena (SA)

<b>Floor Loge</b>	
<b>8 - 63 Door/Gate</b>	Priority: 1
<b>Adjust door closer</b>	\$100
Notes: Operating effort exceeds 5 lbs (5 lbs max).	
State: 1133B.2.5	
Federal: 4.13.11	
<b>Provide or modify door kickplate</b>	\$100
Notes: Doorstop is mounted on kickplate.	
State: 1133B.2.6	
Federal: -	
<b>8 - 64 Door/Gate</b>	Priority: 1
<b>Adjust door closer</b>	\$100
Notes: Operating effort exceeds 5 lbs (5 lbs max).	
State: 1133B.2.5	
Federal: 4.13.11	
<b>Provide or modify door kickplate</b>	\$100
Notes: Doorstop is mounted on kickplate.	
State: 1133B.2.6	
Federal: -	
<b>Install or modify permanent room signs</b>	\$250
Notes: There is an exit sign but Braille is not provided.	
State: -	
Federal: 1117B.5.7, 4.30.6	
<b>8 - 65 Door/Gate</b>	Priority: 1
<b>Adjust door closer</b>	\$100
Notes: Operating effort exceeds 5 lbs (5 lbs max).	
State: 1133B.2.5	
Federal: 4.13.11	
<b>Provide or modify door kickplate</b>	\$100
Notes: Doorstop is mounted on kickplate.	
State: 1133B.2.6	
Federal: -	

**Fresno**

Selland Arena (SA)

<b>Floor Loge</b>	
<b>8 - 66</b>	<b>Door/Gate</b> <span style="float: right;">Priority: 1</span>
<b>Adjust door closer</b>	<b>\$100</b>
Notes: Operating effort exceeds 5 lbs (5 lbs max).	
State: 1133B.2.5	
Federal: 4.13.11	
<b>Provide or modify door kickplate</b>	<b>\$100</b>
Notes: Doorstop is mounted on kickplate.	
State: 1133B.2.6	
Federal: -	
<b>8 - 67</b>	<b>Door/Gate</b> <span style="float: right;">Priority: 1</span>
<b>Adjust door closer</b>	<b>\$100</b>
Notes: Operating effort is 13 lbs (5 lbs max).	
State: 1133B.2.5	
Federal: 4.13.11	
<b>Provide or modify door kickplate</b>	<b>\$100</b>
Notes: Doorstop is mounted on kickplate.	
State: 1133B.2.6	
Federal: -	
<b>8 - 68</b>	<b>Door/Gate</b> <span style="float: right;">Priority: 1</span>
<b>Adjust door closer</b>	<b>\$100</b>
Notes: Operating effort is 14 lbs (5 lbs max). Door closer has a sweep time of 2 seconds (3 seconds min).	
State: 1133B.2.5, 1133B.2.5.1	
Federal: 4.13.10, 4.13.11	
<b>Provide or modify door kickplate</b>	<b>\$100</b>
Notes: Doorstop is mounted on kickplate.	
State: 1133B.2.6	
Federal: -	
<b>Install or modify permanent room signs</b>	<b>\$250</b>
Notes: There is an exit sign but Braille is not provided.	
State: -	
Federal: 1117B.5.7, 4.30.6	

**Fresno**

Selland Arena (SA)

<b>Floor Loge</b>	
<b>8 - 69</b>	<b>Door/Gate</b> <span style="float: right;">Priority: 1</span>
<b>Adjust door closer</b>	<b>\$100</b>
Notes: Operating effort exceeds 5 lbs (5 lbs max).	
State: 1133B.2.5	
Federal: 4.13.11	
<b>Provide or modify door kickplate</b>	<b>\$100</b>
Notes: Doorstop is mounted on kickplate.	
State: 1133B.2.6	
Federal: -	
<b>8 - 70</b>	<b>Door/Gate</b> <span style="float: right;">Priority: 2</span>
<b>Adjust door closer</b>	<b>\$100</b>
Notes: Operating effort is 13 lbs (5 lbs max).	
State: 1133B.2.5	
Federal: 4.13.11	
<b>Provide additional strike edge clearance</b>	<b>\$3,000</b>
Notes: Strike-edge clearance on swing-side is 10-1/2" (18" min).	
State: 1133B.2.4.3	
Federal: 4.13.6	
<b>Provide additional strike edge clearance</b>	<b>\$3,000</b>
Notes: Strike-edge clearance on push-side is 10-1/2" (12" min).	
State: 1133B.2.4.3	
Federal: 4.13.6	
<b>Increase or provide maneuvering or clear floor area</b>	<b>\$2,500</b>
Notes: Level space on swing-side is 54" (60" min).	
State: 1133B.2, 1133B.2.4.2, 1133B.7.5	
Federal: 4.13.6	

**Fresno**

Selland Arena (SA)

<b>Floor Loge</b>	
<b>8 - 71 Door/Gate</b>	Priority:2
<b>Adjust door closer</b>	\$100
Notes: Operating effort is 11 lbs (5 lbs max).	
State: 1133B.2.5	
Federal: 4.13.11	
<b>Provide additional strike edge clearance</b>	\$3,000
Notes: Strike-edge clearance on swing-side is 10-1/2" (18" min).	
State: 1133B.2.4.3	
Federal: 4.13.6	
<b>Provide additional strike edge clearance</b>	\$3,000
Notes: Strike-edge clearance on push-side is 10-1/2" (12" min).	
State: 1133B.2.4.3	
Federal: 4.13.6	
<b>8 - 72 Door/Gate</b>	Priority:2
<b>Adjust door closer</b>	\$100
Notes: Operating effort is 16 lbs (5 lbs max).	
State: 1133B.2.5	
Federal: 4.13.11	
<b>Provide additional strike edge clearance</b>	\$3,000
Notes: Strike-edge clearance on push-side is 10" (12" min).	
State: 1133B.2.4.3	
Federal: 4.13.6	
<b>Provide additional strike edge clearance</b>	\$3,000
Notes: Level space on swing-side is 10" (18" min).	
State: 1133B.2.4.3	
Federal: 4.13.6	

**Fresno**

Selland Arena (SA)

<b>Floor Loge</b>	
<b>8 - 73 Door/Gate</b>	Priority:2
<b>Adjust door closer</b>	\$100
Notes: Operating effort is 15 lbs (5 lbs max).	
State: 1133B.2.5	
Federal: 4.13.11	
<b>Provide additional strike edge clearance</b>	\$3,000
Notes: Strike-edge clearance on swing-side is 10-1/2" (18" min).	
State: 1133B.2.4.3	
Federal: 4.13.6	
<b>Provide additional strike edge clearance</b>	\$3,000
Notes: Strike-edge clearance on push-side is 10-1/2" (12" min).	
State: 1133B.2.4.3	
Federal: 4.13.6	
<b>8 - 74 Door/Gate</b>	Priority:2
<b>Adjust door closer</b>	\$100
Notes: Operating effort is 14 lbs (5 lbs max).	
State: 1133B.2.5	
Federal: 4.13.11	
<b>Increase or provide maneuvering or clear floor area</b>	\$2,500
Notes: Level space on swing-side is 49" (60" min).	
State: 1133B.2, 1133B.2.4.2, 1133B.7.5	
Federal: 4.13.6	
<b>8 - 75 Door/Gate</b>	Priority:2
<b>Adjust door closer</b>	\$100
Notes: Operating effort is 10 lbs (5 lbs max).	
State: 1133B.2.5	
Federal: 4.13.11	
<b>8 - 76 Door/Gate</b>	Priority:2
<b>Adjust door closer</b>	\$100
Notes: Operating effort is 10 lbs (5 lbs max).	
State: 1133B.2.5	
Federal: 4.13.11	

**Fresno**

Selland Arena (SA)

<b>Floor Loge</b>	
<b>10 - 1 Drinking Fountain</b>	Priority: 3
<b>Replace or reposition drinking fountain</b>	\$3,500
Notes: There are two identical drinking fountains. Depth is 12-1/2" (18" min). Bubbler height is 37" (36" max) above the finished floor. Provide "hi-lo" drinking fountain.	
State: 1115B.4.6 #1, 1115B.4.6 #4, 1117B.4.6 #2	
Federal: 4.1.6, 4.15.2, 4.15.5	
<b>10 - 2 Drinking Fountain</b>	Priority: 3
<b>Replace or reposition drinking fountain</b>	\$3,500
Notes: Depth is 13" (18" min). There are two drinking fountains but they are at the same height. Provide "hi-lo" drinking fountain.	
State: 1115B.4.6 #1, 1117B.4.6 #2	
Federal: 4.1.6, 4.15.5	
<b>Replace or adjust water controls</b>	\$500
Notes: Control requires grasping and twisting.	
State: 1115B.4.6 #4	
Federal: 4.15.4	
<b>Adjust water stream</b>	\$100
Notes: Bubbler directs water flow in a stream that is 1" (4" min) high.	
State: 1115B.4.6 #5	
Federal: 4.15.3	

**Fresno**

Selland Arena (SA)

<b>Floor Loge</b>	
<b>13 - 1 Elevator</b>	Priority: 1
<b>Adjust or provide elevator signals and indicators</b>	\$0
Notes: Hallway lanterns are 60" (72" min) above the finished floor.	
State: 1116B.1.13	
Federal: 4.10.4 #1	
<b>Enlarge elevator</b>	\$200,000
Notes: Door width is 34" (36" min).	
State: 1116B.1.4	
Federal: 4.10.9	
<b>Adjust elevator controls and labeling</b>	\$0
Notes: Emergency stop button is not raised.	
State: 1116B.1.8	
Federal: 4.10.12 #3	
<b>Reduce gap between car and hall floors</b>	\$0
Notes: Gap between the car floor and the hall floor is 1-1/2" (1-1/4" max).	
State: 1116B.1.2	
Federal: 4.10.9	
<b>Adjust elevator operation</b>	\$0
Notes: Elevator comes to rest at 1-1/2" (1/2" max) of the floor surface.	
State: 1116B.1.2	
Federal: 4.10.2	
<b>Adjust elevator operation</b>	\$0
Notes: Optical, automatic door opening sensors are not provided. Door remains open for 2 seconds (5 seconds min).	
State: 1116B.1.5, 1116B.1.7	
Federal: 4.10.6	
<b>Adjust or provide elevator signals and indicators</b>	\$0
Notes: Numerals do not illuminate or provide audible signal sounds.	
State: 1116B.1.9	
Federal: 4.10.13	
<b>Adjust elevator controls and labeling</b>	\$0
Notes: Voice is required to use the communication system.	
State: 1116B.1.8	
Federal: 4.10.14	



**Fresno**

Selland Arena (SA)

<b>Floor Loge</b>	
<b>13 - 2 Elevator</b>	Priority: 1
<b>Adjust or provide elevator signals and indicators</b>	\$0
Notes: Hallway lanterns are 60" (72" min) above the finished floor.	
State: 1116B.1.13	
Federal: 4.10.4 #1	
<b>Enlarge elevator</b>	\$200,000
Notes: Door width is 34" (36" min).	
State: 1116B.1.4	
Federal: 4.10.9	
<b>Adjust elevator controls and labeling</b>	\$0
Notes: Emergency stop button is not raised.	
State: 1116B.1.8	
Federal: 4.10.12 #3	
<b>Reduce gap between car and hall floors</b>	\$0
Notes: Gap between the car floor and the hall floor is 1-1/2" (1-1/4" max).	
State: 1116B.1.2	
Federal: 4.10.9	
<b>Adjust elevator operation</b>	\$0
Notes: Elevator comes to rest at 1-1/2" (1/2" max) of the floor surface.	
State: 1116B.1.2	
Federal: 4.10.2	
<b>Adjust elevator operation</b>	\$0
Notes: Door remains fully open for 2 seconds (5 seconds min).	
State: 1116B.1.7	
Federal: 4.10.6	
<b>Adjust elevator operation</b>	\$0
Notes: Optical, automatic door opening sensors are not provided.	
State: 1116B.1.5	
Federal: 4.10.6	
<b>Adjust or provide elevator signals and indicators</b>	\$0
Notes: Numerals do not illuminate or provide audible signal sounds.	
State: 1116B.1.9	
Federal: 4.10.13	
<b>Adjust elevator controls and labeling</b>	\$0
Notes: Voice is required to use the communication system.	
State: 1116B.1.8	
Federal: 4.10.14	

**Fresno**

Selland Arena (SA)

<b>Floor Loge</b>	
<b>16 - 1</b>	<b>Transaction Counter</b> <span style="float: right;">Priority:2</span>
<b>Provide an accessible counter</b>	<b>\$4,000</b>
Notes: Concession stand counter is 44" (28" to 34" max) above the finished floor.	
State: 1122B.5	
Federal: 4.32.4	
<b>16 - 2</b>	<b>Transaction Counter</b> <span style="float: right;">Priority:2</span>
<b>Provide an accessible counter</b>	<b>\$4,000</b>
Notes: Concession stand counter is 44" (28" to 34" max) above the finished floor.	
State: 1122B.5	
Federal: 4.32.4	

**Fresno**

Selland Arena (SA)

<b>Floor Loge</b>	
<b>19 - 1 Multiple User Restroom</b>	Priority:2
<b>Install sign</b>	\$100
Notes: California signage on the door is centered at 62" (60" req) above the finished floor. Raise signage.	
State: 1115B.6	
Federal: 4.30.4	
<b>Install sign</b>	\$250
Notes: Federal required signage is not provided on the latch side of the door. International Symbol of Accessibility is not provided.	
State: 1115B.6, 1117B.5.1 #1, 1117B.5.5 #3, 1117B.5.8.1.2	
Federal: 4.30.4	
<b>Replace or reposition dispensers or mirrors</b>	\$200
Notes: Mirrors are mounted so bottom of reflecting surface are 50" (40" max) above the finished floor.	
State: 1115B.8.1	
Federal: 4.19.6	
<b>Replace or reposition dispensers or mirrors</b>	\$500
Notes: Towel dispenser is 45-1/2" (40" max) and soap dispenser is 40-1/2" (40" max) above the finished floor.	
State: 1115B.8.3	
Federal: 4.23.7	
<b>Modify lavatory/counter clearances</b>	\$1,500
Notes: Clear space beneath the lavatory sink is 27-1/2" (29" min) high.	
State: 1115B.4.3 #2	
Federal: 4.19.2	
<b>Replace or adjust water controls</b>	\$500
Notes: Sink faucet remains open for less than 10 seconds (10 seconds min).	
State: 1115B.8.3	
Federal: 4.19.5, 4.27.4	
<b>Insulate water lines</b>	\$100
Notes: Drain pipe is not insulated.	
State: 1115B.4.3 #4	
Federal: 4.19.4	
<b>Replace or reposition urinal</b>	\$3,500
Notes: Flush control on urinal is 51" (44" max) above the finished floor.	
State: 1115B.4.2 #2	
Federal: 4.18.2	

**Fresno**

Selland Arena (SA)

<b>Floor Loge</b>	
<b>19 - 1 Multiple User Restroom</b>	<b>Priority:2</b>
<b>Modify stall partitions and doors</b>	<b>\$800</b>
Notes: Door width is 24-1/2" (32" min) for end-entry stall.	
State: 1115B.3.1 #4.4	
Federal: -	
<b>Replace or reposition fixtures</b>	<b>\$1,000</b>
Notes: Space from the wall to the centerline of the toilet is 17-1/2" (18" req).	
State: 1115B.7.1.3	
Federal: 4.17.3	
<b>Modify stall partitions and doors</b>	<b>\$500</b>
Notes: Space from the edge of the toilet to the wall is 8-1/2" (32" min).	
State: 1115B.4.1 #1	
Federal: 4.17.3	
<b>Modify stall partitions and doors</b>	<b>\$500</b>
Notes: Space in front of the toilet where the stall is end-entry is 33" (48" min).	
State: 1115B.3.1 #4.1	
Federal: 4.17.3	
<b>Modify stall partitions and doors</b>	<b>\$500</b>
Notes: Stall width is 32" (60" min).	
State: -	
Federal: 4.17.3	
<b>Replace toilet or adjust toilet seat height</b>	<b>\$200</b>
Notes: Toilet seat height is 16" (17" to 19" max) above the finished floor.	
State: 1115B.4.1 #4	
Federal: 4.16.3	
<b>Reposition toilet flush controls</b>	<b>\$750</b>
Notes: Flush control is not located on the wide side.	
State: 1115B.4.1 #5	
Federal: 4.16.5	
<b>Replace or reposition dispensers or mirrors</b>	<b>\$100</b>
Notes: Seat cover dispenser is 57" (40" max) above the finished floor.	
State: 1115B.8.3	
Federal: 4.23.7	

**Fresno**

Selland Arena (SA)

<b>Floor Loge</b>	
<b>19 - 1 Multiple User Restroom</b>	<b>Priority:2</b>
<b>Replace or modify grab bars</b>	<b>\$700</b>
Notes: Grab bars are not provided.	
State: 1115B.4.1 #3, 1115B.4.1 #3.1, 1115B.4.1 #3.2, 1115B.7.1, 1115B.7.2 #4, 1115B.7.2 #5, 1115B.7.3	
Federal: 4.17.6	
<b>Provide or replace stall door hardware</b>	<b>\$200</b>
Notes: Stall door does not have U-shaped handles on the front or back.	
State: 1115B.3.1 #4.5	
Federal: 4.13.9	

**Fresno**

Selland Arena (SA)

<b>Floor Loge</b>	
<b>19 - 2 Multiple User Restroom</b>	<b>Priority:2</b>
<b>Install sign</b>	<b>\$100</b>
Notes: California signage on the door is centered at 63" (60" req) above the finished floor. Lower signage.	
State: 1115B.6	
Federal: 4.30.4	
<b>Install sign</b>	<b>\$250</b>
Notes: Federal required signage is centered at 47-1/2" (60" req) on the latch side of the door. Grade 2 Braille is not provided. International Symbol of Accessibility is not provided. Raise signage.	
State: 1115B.6, 1117B.5.1 #1, 1117B.5.5 #3, 1117B.5.8.1.2	
Federal: 4.30.4	
<b>Replace or reposition dispensers or mirrors</b>	<b>\$500</b>
Notes: Towel dispenser is 40-1/2" (40" max) and sanitary napkin dispenser is 54" (40" max) above the finished floor.	
State: 1115B.8.3	
Federal: 4.23.7	
<b>Replace or adjust water controls</b>	<b>\$500</b>
Notes: Sink faucet remains open for less than 10 seconds (10 seconds min).	
State: 1115B.8.3	
Federal: 4.19.5, 4.27.4	
<b>Insulate water lines</b>	<b>\$100</b>
Notes: Drain pipe is not insulated.	
State: 1115B.4.3 #4	
Federal: 4.19.4	
<b>Modify stall partitions and doors</b>	<b>\$800</b>
Notes: Stall door width is 24" (32" min) for end-entry stall.	
State: 1115B.3.1 #4.4	
Federal: -	
<b>Replace or reposition fixtures</b>	<b>\$1,000</b>
Notes: Space from the wall to the centerline of the toilet is 15-1/4" (18" req).	
State: 1115B.7.1.3	
Federal: 4.17.3	
<b>Modify stall partitions and doors</b>	<b>\$500</b>
Notes: Space from the edge of the toilet to the wall is 8" (32" min).	
State: 1115B.4.1 #1	
Federal: 4.17.3	

**Fresno**

Selland Arena (SA)

<b>Floor Loge</b>	
<b>19 - 2 Multiple User Restroom</b>	<b>Priority:2</b>
<b>Modify stall partitions and doors</b>	<b>\$500</b>
Notes: Space in front of the toilet where the stall is end-entry is 33-1/2" (48" min).	
State: 1115B.3.1 #4.1	
Federal: 4.17.3	
<b>Modify stall partitions and doors</b>	<b>\$500</b>
Notes: Stall width is 33-1/2" (60" min).	
State: -	
Federal: 4.17.3	
<b>Reposition toilet flush controls</b>	<b>\$750</b>
Notes: Flush control is not located on the wide side.	
State: 1115B.4.1 #5	
Federal: 4.16.5	
<b>Replace or reposition dispensers or mirrors</b>	<b>\$100</b>
Notes: Seat cover dispenser is 56" (40" max) above the finished floor.	
State: 1115B.8.3	
Federal: 4.23.7	
<b>Replace or modify grab bars</b>	<b>\$700</b>
Notes: Grab bars are not provided.	
State: 1115B.4.1 #3, 1115B.4.1 #3.1, 1115B.4.1 #3.2, 1115B.7.1, 1115B.7.2 #4, 1115B.7.2 #5, 1115B.7.3	
Federal: 4.17.6	
<b>Provide or replace stall door hardware</b>	<b>\$200</b>
Notes: Stall door does not have U-shaped handles on the front or back.	
State: 1115B.3.1 #4.5	
Federal: 4.13.9	

**Fresno**

Selland Arena (SA)

<b>Floor Loge</b>	
<b>19 - 3 Multiple User Restroom</b>	Priority: 4
<b>Install sign</b>	\$250
Notes: California required signage is not provided.	
State: 1115B.6	
Federal: 4.30.4	
<b>Install sign</b>	\$100
Notes: Federal required signage is centered at 47-1/2" (60" req) on the latch side of the door. Raise signage.	
State: 1115B.6, 1117B.5.1 #1	
Federal: 4.30.4	
<b>Replace or reposition dispensers or mirrors</b>	\$200
Notes: Mirrors are mounted so bottom of reflecting surface are 45-1/2" (40" max) above the finished floor.	
State: 1115B.8.1	
Federal: 4.19.6	
<b>Replace or reposition dispensers or mirrors</b>	\$750
Notes: Towel dispenser is 42" (40" max), sanitary napkin dispenser is 41" (40" max) and soap dispenser is 44-1/2" (40" max) above the finished floor.	
State: 1115B.8.3	
Federal: 4.23.7	
<b>Modify lavatory/counter clearances</b>	\$1,500
Notes: Clear space beneath the lavatory sink is 28-3/4" (29" min) high.	
State: 1115B.4.3 #2	
Federal: 4.19.2	
<b>Replace or adjust water controls</b>	\$500
Notes: Sink faucet remains open for 3 seconds (10 seconds min).	
State: 1115B.8.3	
Federal: 4.19.5, 4.27.4	
<b>Insulate water lines</b>	\$100
Notes: Drain pipe is insufficiently insulated.	
State: 1115B.4.3 #4	
Federal: 4.19.4	
<b>Replace or reposition fixtures</b>	\$1,000
Notes: Space from the wall to the centerline of the toilet is 17-1/2" (18" req).	
State: 1115B.7.1.3	
Federal: 4.17.3	



**Fresno**

Selland Arena (SA)

<b>Floor Loge</b>	
<b>19 - 3 Multiple User Restroom</b>	<b>Priority: 4</b>
<b>Modify stall partitions and doors</b>	<b>\$500</b>
Notes: Stall width is 59" (60" min).	
State: -	
Federal: 4.17.3	
<b>Replace toilet or adjust toilet seat height</b>	<b>\$200</b>
Notes: Toilet seat height is 16" (17" to 19" max) above the finished floor.	
State: 1115B.4.1 #4	
Federal: 4.16.3	
<b>Replace or modify grab bars</b>	<b>\$350</b>
Notes: Side grab bar is positioned so the front end is located 51" (52" min) from the back wall.	
State: 1115B.4.1 #3.1	
Federal: 4.17.6	
<b>Provide or replace stall door hardware</b>	<b>\$100</b>
Notes: Stall door does not have U-shaped handle on the back.	
State: 1115B.3.1 #4.5	
Federal: 4.13.9	
<b>Provide an additional front transfer stall</b>	<b>\$2,500</b>
Notes: Additional front transfer stall is not provided. Stall width is 30" (36" min).	
State: 1115B.3.1 #5, 1115B.4.1 #3, 1115B.5	
Federal: 4.17.3	

**Fresno**

Selland Arena (SA)

<b>Floor Loge</b>	
<b>19 - 4 Multiple User Restroom</b>	Priority: 4
<b>Install sign</b>	\$100
Notes: California required signage is centered at 59" (60" req) above the finished floor. Raise signage.	
State: 1115B.6	
Federal: 4.30.4	
<b>Install sign</b>	\$250
Notes: Federal required signage is not provided on the latch side of the door.	
State: 1115B.6, 1117B.5.1 #1	
Federal: 4.30.4	
<b>Replace or reposition dispensers or mirrors</b>	\$200
Notes: Mirrors are mounted so bottom of reflecting surface are 45-1/2" (40" max) above the finished floor.	
State: 1115B.8.1	
Federal: 4.19.6	
<b>Replace or reposition dispensers or mirrors</b>	\$500
Notes: Towel dispenser is 50" (40" max) and soap dispenser is 44-1/2" (40" max) above the finished floor.	
State: 1115B.8.3	
Federal: 4.23.7	
<b>Replace or adjust water controls</b>	\$500
Notes: Sink faucet remains open for 2 seconds (10 seconds min).	
State: 1115B.8.3	
Federal: 4.19.5, 4.27.4	
<b>Insulate water lines</b>	\$100
Notes: Drain pipe is insufficiently insulated.	
State: 1115B.4.3 #4	
Federal: 4.19.4	
<b>Replace or reposition urinal</b>	\$3,500
Notes: Flush control on urinal is 49" (44" max) above the finished floor.	
State: 1115B.4.2 #2	
Federal: 4.18.2	
<b>Replace or reposition fixtures</b>	\$1,000
Notes: Space from the wall to the centerline of the toilet is 17" (18" req).	
State: 1115B.7.1.3	
Federal: 4.17.3	

**Fresno**

Selland Arena (SA)

<b>Floor Loge</b>	
<b>19 - 4 Multiple User Restroom</b>	<b>Priority: 4</b>
<b>Modify stall partitions and doors</b>	<b>\$500</b>
Notes: Stall width is 58-1/2" (60" min).	
State: -	
Federal: 4.17.3	
<b>Replace toilet or adjust toilet seat height</b>	<b>\$200</b>
Notes: Toilet seat height is 16-1/2" (17" to 19" max) above the finished floor.	
State: 1115B.4.1 #4	
Federal: 4.16.3	
<b>Replace or modify grab bars</b>	<b>\$450</b>
Notes: Side grab bar is positioned so the front end is located 50-1/2" (52" min) from the back wall. Space between the wall and the grab bar is 2" (1-1/2" req).	
State: 1115B.4.1 #3.1, 1115B.7.1	
Federal: 4.17.6	
<b>Provide or replace stall door hardware</b>	<b>\$100</b>
Notes: Stall door does not have U-shaped handle on the back.	
State: 1115B.3.1 #4.5	
Federal: 4.13.9	
<b>Replace or reposition dispensers or mirrors</b>	<b>\$100</b>
Notes: Seat cover dispenser is 40-1/2" (40" max) above the finished floor.	
State: 1115B.8.3	
Federal: 4.23.7	
<b>Provide an additional front transfer stall</b>	<b>\$2,500</b>
Notes: Front transfer stall is not provided.	
State: 1115B.3.1 #5, 1115B.4.1 #3, 1115B.5	
Federal: 4.17.3	

**Fresno**

Selland Arena (SA)

<b>Floor Loge</b>	
<b>19 - 5 Multiple User Restroom</b>	Priority: 4
<b>Install sign</b>	\$100
Notes: California required signage is centered at 64" (60" req) above the finished floor. Lower signage.	
State: 1115B.6	
Federal: 4.30.4	
<b>Install sign</b>	\$250
Notes: Federal required signage is centered 47" (60" req) above the finished floor. International Symbol of Accessibility is not provided. Raise signage.	
State: 1115B.6, 1117B.5.1 #1, 1117B.5.5 #3, 1117B.5.8.1.2	
Federal: 4.30.4	
<b>Replace or reposition dispensers or mirrors</b>	\$750
Notes: Towel dispenser is 42" (40" max), sanitary napkin dispenser is 54" (40" max) and soap dispenser is 42" (40" max) above the finished floor.	
State: 1115B.8.3	
Federal: 4.23.7	
<b>Replace or reposition dispensers or mirrors</b>	\$100
Notes: Seat cover dispenser is 57-1/2" (40" max) above the finished floor.	
State: 1115B.8.3	
Federal: 4.23.7	
<b>Insulate water lines</b>	\$100
Notes: Drain pipe is insufficiently insulated.	
State: 1115B.4.3 #4	
Federal: 4.19.4	
<b>Modify stall partitions and doors</b>	\$500
Notes: Stall width is 34" (60" min).	
State: -	
Federal: 4.17.3	
<b>Replace or modify grab bars</b>	\$700
Notes: Grab bars are not provided.	
State: 1115B.4.1 #3, 1115B.4.1 #3.1, 1115B.4.1 #3.2, 1115B.7.1, 1115B.7.2 #4, 1115B.7.2 #5, 1115B.7.3	
Federal: 4.17.6	
<b>Provide or replace stall door hardware</b>	\$200
Notes: Stall door do not have U-shaped handles on the back or front. Stall door is not self-closing.	
State: 1115B.3.1 #4.5	
Federal: 4.13.9	

**Fresno**

Selland Arena (SA)

<b>Floor Loge</b>	
<b>19 - 5 Multiple User Restroom</b>	Priority: 4
<b>Modify lavatory/counter clearances</b>	\$1,500
Notes: Clear space beneath the lavatory sink is 28" (29" min) high. The space under the bowl is 23-1/2" (27" min) when measured 8" from the front edge.	
State: 1115B.4.3 #2	
Federal: 4.19.2	
<b>Modify stall partitions and doors</b>	\$800
Notes: Door width for end-entry stall is 23" (32" min).	
State: 1115B.3.1 #4.4	
Federal: -	
<b>Reposition toilet flush controls</b>	\$750
Notes: Flush control is not on the wide side.	
State: 1115B.4.1 #5	
Federal: 4.16.5	
<b>Modify stall partitions and doors</b>	\$500
Notes: Space from the side of the toilet to the wall is 9" (32" min).	
State: 1115B.4.1 #1	
Federal: 4.17.3	
<b>Modify stall partitions and doors</b>	\$500
Notes: Space in front of the toilet is 31" (48" min).	
State: 1115B.3.1 #4.1	
Federal: 4.17.3	
<b>Provide an additional front transfer stall</b>	\$2,500
Notes: Front transfer stall is not provided.	
State: 1115B.3.1 #5, 1115B.4.1 #3, 1115B.5	
Federal: 4.17.3	

**Fresno**

Selland Arena (SA)

<b>Floor Loge</b>	
<b>19 - 6 Multiple User Restroom</b>	Priority:2
<b>Install sign</b>	\$250
Notes: California required signage is centered at 64" (60" req) above the finished floor.	
State: 1115B.6	
Federal: 4.30.4	
<b>Install sign</b>	\$250
Notes: Federal required signage is centered 47" (60" req) above the finished floor. International Symbol of Accessibility is not provided.	
State: 1115B.6, 1117B.5.1 #1, 1117B.5.5 #3, 1117B.5.8.1.2	
Federal: 4.30.4	
<b>Replace or reposition dispensers or mirrors</b>	\$250
Notes: Towel dispenser is 50" (40" max) above the finished floor.	
State: 1115B.8.3	
Federal: 4.23.7	
<b>Replace or reposition dispensers or mirrors</b>	\$250
Notes: Seat cover dispenser is 57" (40" max) above the finished floor.	
State: 1115B.8.3	
Federal: 4.23.7	
<b>Insulate water lines</b>	\$100
Notes: Drain pipe is insufficiently insulated.	
State: 1115B.4.3 #4	
Federal: 4.19.4	
<b>Modify stall partitions and doors</b>	\$500
Notes: Stall width is 33" (60" min).	
State: -	
Federal: 4.17.3	
<b>Replace or modify grab bars</b>	\$350
Notes: Rear grab bar is not provided. Side grab bar is positioned so the front end is 40" (54" min) from the back wall. Space from the wall to the grab bar is 2-3/4" (1-1/2").	
State: 1115B.4.1 #3.1, 1115B.4.1 #3.2, 1115B.7.1	
Federal: 4.17.6	
<b>Provide or replace stall door hardware</b>	\$200
Notes: Stall door do not have U-shaped handles on the back or front. Stall door is not self-closing.	
State: 1115B.3.1 #4.5	
Federal: 4.13.9	

**Fresno**

Selland Arena (SA)

<b>Floor Loge</b>	
<b>19 - 6 Multiple User Restroom</b>	Priority:2
<b>Modify lavatory/counter clearances</b>	\$1,500
Notes: Clear space beneath the lavatory sink is 28" (29" min) high. The space under the bowl is 23" (27" min) when measured 8" from the front edge.	
State: 1115B.4.3 #2	
Federal: 4.19.2	
<b>Modify stall partitions and doors</b>	\$800
Notes: Door width for end-entry stall is 23" (32" min).	
State: 1115B.3.1 #4.4	
Federal: -	
<b>Reposition toilet flush controls</b>	\$750
Notes: Flush control is not on the wide side.	
State: 1115B.4.1 #5	
Federal: 4.16.5	
<b>Modify stall partitions and doors</b>	\$500
Notes: Space from the side of the toilet to the wall is 10" (32" min).	
State: 1115B.4.1 #1	
Federal: 4.17.3	
<b>Replace or reposition dispensers or mirrors</b>	\$250
Notes: Mirror is mounted so bottom of reflecting surface is 49-1/2" (40" max) above the finished floor.	
State: 1115B.8.1	
Federal: 4.19.6	
<b>Replace or adjust water controls</b>	\$500
Notes: Water valve remains open for 1 second (10 seconds min).	
State: 1115B.8.3	
Federal: 4.19.5, 4.27.4	
<b>Replace or reposition urinal</b>	\$3,500
Notes: Urinal has flush control that is mounted 51" (44" max) above the finished floor.	
State: 1115B.4.2 #2	
Federal: 4.18.2	
<b>Replace or reposition fixtures</b>	\$1,000
Notes: Space from the wall to the centerline of the toilet is 16-1/2" (18" req).	
State: 1115B.7.1.3	
Federal: 4.17.3	

**Fresno**

Selland Arena (SA)

<b>Floor Loge</b>	
<b>19 - 6 Multiple User Restroom</b>	Priority:2
<b>Modify stall partitions and doors</b>	\$500
Notes: Space in front of the toilet is 30" (48" min).	
State: 1115B.3.1 #4.1	
Federal: 4.17.3	
<b>Provide an additional front transfer stall</b>	\$2,500
Notes: Front transfer stall is not provided.	
State: 1115B.3.1 #5, 1115B.4.1 #3, 1115B.5	
Federal: 4.17.3	



**Fresno**

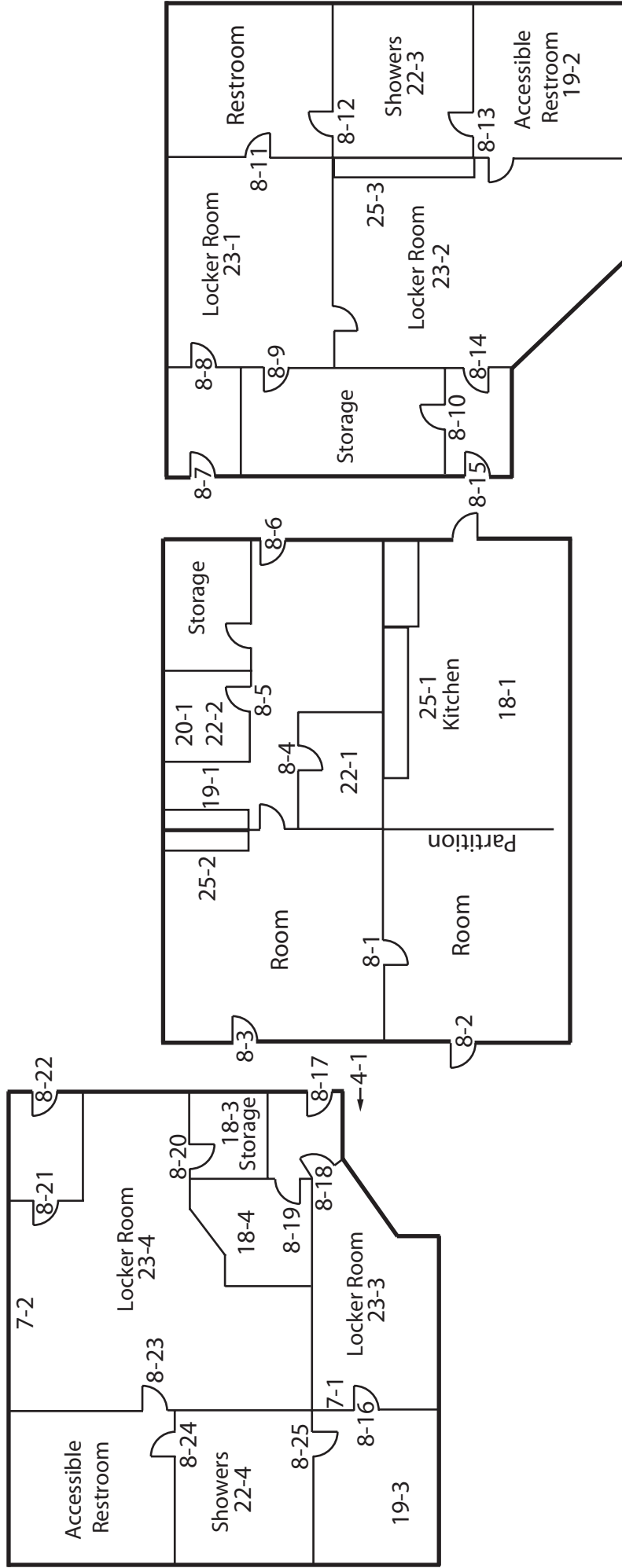
Selland Arena (SA)

<b>Floor Loge</b>	
<b>19 - 7 Multiple User Restroom</b>	Priority:2
<b>Install sign</b>	\$100
Notes: California required signage is centered at 64" (60" req) above the finished floor. Lower signage.	
State: 1115B.6	
Federal: 4.30.4	
<b>Install sign</b>	\$250
Notes: Federal required signage is not provided on the latch side of the door. International Symbol of Accessibility is not provided.	
State: 1115B.6, 1117B.5.1 #1, 1117B.5.5 #3, 1117B.5.8.1.2	
Federal: 4.30.4	
<b>Replace or reposition dispensers or mirrors</b>	\$250
Notes: Towel dispenser is 48" (40" max) above the finished floor.	
State: 1115B.8.3	
Federal: 4.23.7	
<b>Replace or reposition dispensers or mirrors</b>	\$100
Notes: Seat cover dispenser is 40-1/2" (40" max) above the finished floor.	
State: 1115B.8.3	
Federal: 4.23.7	
<b>Insulate water lines</b>	\$100
Notes: Drain pipe is insufficiently insulated.	
State: 1115B.4.3 #4	
Federal: 4.19.4	
<b>Modify stall partitions and doors</b>	\$500
Notes: Stall width is 58-1/2" (60" min).	
State: -	
Federal: 4.17.3	
<b>Provide or replace stall door hardware</b>	\$100
Notes: Stall door does not have U-shaped handle on the back. Stall door is not self-closing.	
State: 1115B.3.1 #4.5	
Federal: 4.13.9	
<b>Modify stall partitions and doors</b>	\$800
Notes: Door width for side-entry stall is 33" (34" min).	
State: 1115B.3.1 #4.4	
Federal: -	

**Fresno**

Selland Arena (SA)

<b>Floor Loge</b>	
<b>19 - 7 Multiple User Restroom</b>	<b>Priority:2</b>
<b>Reposition toilet flush controls</b>	<b>\$750</b>
Notes: Flush control is not on the wide side.	
State: 1115B.4.1 #5	
Federal: 4.16.5	
<b>Replace or adjust water controls</b>	<b>\$500</b>
Notes: Water valve remains open for 2 seconds (10 seconds min).	
State: 1115B.8.3	
Federal: 4.19.5, 4.27.4	
<b>Provide an additional front transfer stall</b>	<b>\$2,500</b>
Notes: Front transfer stall is not provided.	
State: 1115B.3.1 #5, 1115B.4.1 #3, 1115B.5	
Federal: 4.17.3	



Selland Arena Dressing Rooms - Arena Floor  
700 M Street, Fresno

**Fresno**

Selland Dressing Rooms

<b>Floor Arena</b>		
<b>4 - 1</b>	<b>Walk</b>	Priority:2
<b>Replace or reorient grate</b>		\$2,000
Notes: Grating is 2.5" x 1.5" (1/2" max) in width.		
State: 1124B.4, 1133B.7.2		
Federal: 4.5.4		
<b>7 - 1</b>	<b>Hazard</b>	Priority:2
<b>Remove overhanging or protruding objects</b>		\$100
Notes: Locker shelf protrudes 18" (4" max) and is 60" (not between 27" to 80") AFF.		
State: 1133B.8.6.1		
Federal: 4.4.1		
<b>7 - 2</b>	<b>Hazard</b>	Priority:2
<b>Remove overhanging or protruding objects</b>		\$100
Notes: Locker shelf protrudes 18" (4" max) and is 60" (not between 27" to 80") AFF.		
State: 1133B.8.6.1		
Federal: 4.4.1		
<b>8 - 1</b>	<b>Door/Gate</b>	Priority:2
<b>Increase or provide maneuvering or clear floor area</b>		\$2,500
Notes: Slope on the swing-side of the door is 9.3% (2% max).		
State: 1133B.2, 1133B.2.4.2, 1133B.7.5		
Federal: 4.13.6		
<b>Provide additional strike edge clearance</b>		\$3,000
Notes: The plane of the doorway is offset 9" (8" max).		
State: 1133B.2.5.3		
Federal: -		

**Fresno**

## Selland Dressing Rooms

<b>Floor Arena</b>		
<b>8 - 2</b>	<b>Door/Gate</b>	<b>Priority:2</b>
<b>Install or modify permanent room signs</b>		<b>\$250</b>
Notes: There is an exit sign but Braille is not provided.		
State: 1011.3 #3		
Federal: -		
<b>Provide additional strike edge clearance</b>		<b>\$3,000</b>
Notes: The plane of the doorway is offset 11" (8" max).		
State: 1133B.2.5.3		
Federal: -		
<b>Replace or adjust door hardware</b>		<b>\$300</b>
Notes: Door hardware requires grasping and twisting. Door hardware is centered 46" (30" to 44") AFF.		
State: 1133B.2.5.2		
Federal: 4.13.9		
<b>8 - 3</b>	<b>Door/Gate</b>	<b>Priority:2</b>
<b>Install or modify permanent room signs</b>		<b>\$250</b>
Notes: There is an exit sign but Braille is not provided.		
State: 1011.3 #3		
Federal: -		
<b>8 - 4</b>	<b>Door/Gate</b>	<b>Priority:2</b>
<b>Enlarge door opening</b>		<b>\$3,500</b>
Notes: Width of clear opening is 27" (32" min).		
State: 1133B.2.2, 1133B.2.3		
Federal: 4.13.5		
<b>Replace or adjust door hardware</b>		<b>\$300</b>
Notes: Doorknob requires grasping and twisting.		
State: 1133B.2.5.2		
Federal: 4.13.9		
<b>Adjust door closer</b>		<b>\$100</b>
Notes: Operating effort is 9 lbs (5 lbs max).		
State: 1133B.2.5		
Federal: 4.13.11		

**Fresno**

## Selland Dressing Rooms

<b>Floor Arena</b>	
<b>8 - 5</b>	<b>Door/Gate</b> <span style="float: right;">Priority:2</span>
<b>Enlarge door opening</b>	<b>\$3,500</b>
Notes: Width of clear opening is 27" (32" min).	
State: 1133B.2.2, 1133B.2.3	
Federal: 4.13.5	
<b>Replace or adjust door hardware</b>	<b>\$300</b>
Notes: Doorknob requires grasping and twisting.	
State: 1133B.2.5.2	
Federal: 4.13.9	
<b>Adjust door closer</b>	<b>\$100</b>
Notes: Operating effort is 9 lbs (5 lbs max).	
State: 1133B.2.5	
Federal: 4.13.11	
<b>8 - 6</b>	<b>Door/Gate</b> <span style="float: right;">Priority:2</span>
<b>Install or modify permanent room signs</b>	<b>\$250</b>
Notes: There is an exit sign but Braille is not provided.	
State: 1011.3 #3	
Federal: -	
<b>8 - 7</b>	<b>Door/Gate</b> <span style="float: right;">Priority:2</span>
<b>Adjust door closer</b>	<b>\$100</b>
Notes: Operating effort is 10 lbs (5 lbs max).	
State: 1133B.2.5	
Federal: 4.13.11	
<b>Provide or modify door kickplate</b>	<b>\$100</b>
Notes: Doorstop is mounted on kickplate.	
State: 1133B.2.6	
Federal: -	
<b>8 - 8</b>	<b>Door/Gate</b> <span style="float: right;">Priority:2</span>
<b>Provide or modify door kickplate</b>	<b>\$100</b>
Notes: Doorstop is mounted on kickplate.	
State: 1133B.2.6	
Federal: -	

**Fresno**

## Selland Dressing Rooms

<b>Floor Arena</b>	
<b>8 - 9</b>	<b>Door/Gate</b> <span style="float: right;">Priority:2</span>
<b>Enlarge door opening</b>	<b>\$3,500</b>
Notes: Width of clear opening is 29" (32" min).	
State: 1133B.2.2, 1133B.2.3	
Federal: 4.13.5	
<b>Replace or adjust door hardware</b>	<b>\$300</b>
Notes: Doorknob requires grasping and twisting.	
State: 1133B.2.5.2	
Federal: 4.13.9	
<b>8 - 10</b>	<b>Door/Gate</b> <span style="float: right;">Priority:2</span>
<b>Replace or adjust door hardware</b>	<b>\$300</b>
Notes: Doorknob requires grasping and twisting.	
State: 1133B.2.5.2	
Federal: 4.13.9	
<b>8 - 11</b>	<b>Door/Gate</b> <span style="float: right;">Priority:2</span>
<b>Enlarge door opening</b>	<b>\$3,500</b>
Notes: Width of clear opening is 30.5" (32" min).	
State: 1133B.2.2, 1133B.2.3	
Federal: 4.13.5	
<b>Adjust door closer</b>	<b>\$100</b>
Notes: Door closer has a sweep time of 2 seconds (3 seconds min).	
State: 1133B.2.5.1	
Federal: 4.13.10	
<b>Provide additional strike edge clearance</b>	<b>\$3,000</b>
Notes: Strike-edge clearance is not provided due to pole obstruction that is 13" x 18". Leave the door open to remedy problem.	
State: 1133B.2.4.3	
Federal: 4.13.6	
<b>8 - 12</b>	<b>Door/Gate</b> <span style="float: right;">Priority:2</span>
<b>Install or modify permanent room signs</b>	<b>\$250</b>
Notes: Shower sign is not ADA compliant.	
State: -	
Federal: 1117B.5.7, 4.30.6	
<b>Provide additional strike edge clearance</b>	<b>\$3,000</b>
Notes: Strike-edge clearance on the push-side is not provided due to shelf obstruction.	
State: 1133B.2.4.3	
Federal: 4.13.6	

**Fresno**

## Selland Dressing Rooms

<b>Floor Arena</b>	
<b>8 - 13 Door/Gate</b>	Priority:2
<b>Provide additional strike edge clearance</b>	\$3,000
Notes: Strike-edge clearance on swing-side is not provided (18" min).	
State: 1133B.2.4.3	
Federal: 4.13.6	
<b>8 - 14 Door/Gate</b>	Priority:2
<b>Increase or provide maneuvering or clear floor area</b>	\$2,500
Notes: There is 34" (48" min) between the doors in sequence.	
State: 1133B.2.4.4	
Federal: 4.13.7	
<b>8 - 15 Door/Gate</b>	Priority:2
<b>Adjust door closer</b>	\$100
Notes: Operating effort is 10 lbs (5 lbs max).	
State: 1133B.2.5	
Federal: 4.13.11	
<b>Adjust door closer</b>	\$100
Notes: Door closer has a sweep time of 2 seconds (3 seconds min).	
State: 1133B.2.5.1	
Federal: 4.13.10	
<b>8 - 16 Door/Gate</b>	Priority:2
<b>Adjust door closer</b>	\$100
Notes: Operating effort is 7 lbs (5 lbs max).	
State: 1133B.2.5	
Federal: 4.13.11	
<b>8 - 17 Door/Gate</b>	Priority:2
<b>Adjust door closer</b>	\$100
Notes: Operating effort is 7 lbs (5 lbs max).	
State: 1133B.2.5	
Federal: 4.13.11	
<b>Provide or modify door kickplate</b>	\$100
Notes: Doorstop is mounted on kickplate.	
State: 1133B.2.6	
Federal: -	
<b>Provide additional strike edge clearance</b>	\$3,000
Notes: Strike-edge clearance on push-side is 10.5" (12" min). Slope is 10.8% (2% max).	
State: 1133B.2.4.3	
Federal: 4.13.6	



**Fresno**

Selland Dressing Rooms

<b>Floor Arena</b>	
<b>8 - 18</b>	<b>Door/Gate</b> <span style="float: right;">Priority: 2</span>
<b>Install or modify permanent room signs</b>	<b>\$250</b>
Notes: There is an exit sign but Braille is not provided.	
State: 1011.3 #3	
Federal: -	
<b>8 - 19</b>	<b>Door/Gate</b> <span style="float: right;">Priority: 4</span>
<b>Adjust door closer</b>	<b>\$100</b>
Notes: Operating effort is 7 lbs (5 lbs max).	
State: 1133B.2.5	
Federal: 4.13.11	
<b>Provide or modify door kickplate</b>	<b>\$100</b>
Notes: Kickplate is 7" (10" min) high.	
State: 1133B.2.6	
Federal: -	
<b>8 - 20</b>	<b>Door/Gate</b> <span style="float: right;">Priority: 4</span>
<b>Adjust door closer</b>	<b>\$100</b>
Notes: Operating effort is 7 lbs (5 lbs max).	
State: 1133B.2.5	
Federal: 4.13.11	
<b>Provide or modify door kickplate</b>	<b>\$100</b>
Notes: Kickplate is 7" (10" min) high.	
State: 1133B.2.6	
Federal: -	

**Fresno**

## Selland Dressing Rooms

<b>Floor Arena</b>	
<b>8 - 21 Door/Gate</b>	Priority:2
<b>Adjust door closer</b>	\$100
Notes: Operating effort is 7 lbs (5 lbs max).	
State: 1133B.2.5	
Federal: 4.13.11	
<b>Provide or modify door kickplate</b>	\$100
Notes: Doorstop is mounted on kickplate.	
State: 1133B.2.6	
Federal: -	
<b>Provide additional strike edge clearance</b>	\$3,000
Notes: Strike-edge clearance on push-side is 4" (12" min).	
State: 1133B.2.4.3	
Federal: 4.13.6	
<b>Provide additional strike edge clearance</b>	\$3,000
Notes: Strike-edge clearance on swing-side is 4" (18" min).	
State: 1133B.2.4.3	
Federal: 4.13.6	
<b>Install or modify permanent room signs</b>	\$250
Notes: There is an exit sign but Braille is not provided.	
State: 1011.3 #3	
Federal: -	
<b>8 - 22 Door/Gate</b>	Priority:2
<b>Adjust door closer</b>	\$100
Notes: Operating effort is 13 lbs (5 lbs max).	
State: 1133B.2.5	
Federal: 4.13.11	
<b>Provide or modify door kickplate</b>	\$100
Notes: Doorstop is mounted on kickplate.	
State: 1133B.2.6	
Federal: -	
<b>Provide additional strike edge clearance</b>	\$3,000
Notes: Strike-edge clearance on swing-side is 6" (18" min).	
State: 1133B.2.4.3	
Federal: 4.13.6	

**Fresno**

Selland Dressing Rooms

<b>Floor Arena</b>	
<b>8 - 23 Door/Gate</b>	Priority:2
<b>Provide additional strike edge clearance</b>	\$3,000
Notes: Strike-edge clearance on swing-side is 0" (18" min) due to pole obstruction.	
State: 1133B.2.4.3	
Federal: 4.13.6	
<b>Enlarge door opening</b>	\$3,500
Notes: Width of clear opening is 31" (32" min).	
State: 1133B.2.2, 1133B.2.3	
Federal: 4.13.5	
<b>8 - 24 Door/Gate</b>	Priority:2
<b>Adjust door closer</b>	\$100
Notes: Operating effort is 7 lbs (5 lbs max).	
State: 1133B.2.5	
Federal: 4.13.11	
<b>Provide additional strike edge clearance</b>	\$3,000
Notes: Strike-edge clearance on swing-side is 16" (18" min).	
State: 1133B.2.4.3	
Federal: 4.13.6	
<b>Provide additional strike edge clearance</b>	\$3,000
Notes: Strike-edge clearance on push-side is not provided (12" min) due to drainage gap.	
State: 1133B.2.4.3	
Federal: 4.13.6	
<b>8 - 25 Door/Gate</b>	Priority:2
<b>Adjust door closer</b>	\$100
Notes: Operating effort is 7 lbs (5 lbs max).	
State: 1133B.2.5	
Federal: 4.13.11	
<b>Provide additional strike edge clearance</b>	\$3,000
Notes: Strike-edge clearance on push-side is not provided (12" min) due to drainage gap.	
State: 1133B.2.4.3	
Federal: 4.13.6	

**Fresno**

Selland Dressing Rooms

<b>Floor Arena</b>	
<b>18 - 1 Room</b>	Priority:2
<b>Reposition controls and outlets</b>	\$250
Notes: The center of the grip of the operating light switch is 50" (48" absolute) AFF.	
State: 1117B.6 #5.5.2	
Federal: 4.27.3	
<b>Reposition controls and outlets</b>	\$250
Notes: The center of electrical outlet is 10" (15" to 48") AFF.	
State: 117B.6 #5.5.2	
Federal: 4.27.3	
<b>18 - 2 Room</b>	Priority:2
<b>Reposition controls and outlets</b>	\$250
Notes: The center of electrical outlet is 13" (15" to 48") AFF.	
State: 117B.6 #5.5.2	
Federal: 4.27.3	
<b>18 - 3 Room</b>	Priority:2
<b>Reposition controls and outlets</b>	\$250
Notes: The center of the grip of the operating light switch is 46" (48" absolute) AFF.	
State: 1117B.6 #5.5.2	
Federal: 4.27.3	
<b>18 - 4 Room</b>	Priority:2
<b>Reposition controls and outlets</b>	\$250
Notes: The center of electrical outlet is 13" (15" to 48") AFF.	
State: 117B.6 #5.5.2	
Federal: 4.27.3	

**Fresno**

## Selland Dressing Rooms

<b>Floor Arena</b>	
<b>19 - 1 Multiple User Restroom</b>	<b>Priority:2</b>
<b>Install sign</b>	<b>\$250</b>
Notes: California required signage not provided on the door.	
State: 1115B.6	
Federal: 4.30.4	
<b>Install sign</b>	<b>\$250</b>
Notes: Federal required signage not provided on the latch side of the door. ISA not provided.	
State: 1115B.6, 1117B.5.1 #1, 1117B.5.5 #3, 1117B.5.8.1.2	
Federal: 4.30.4	
<b>Increase or provide maneuvering or clear floor area</b>	<b>\$2,500</b>
Notes: 60" min. turning area is not provided in the toilet room.	
State: 1115B.3.1 #1	
Federal: 4.23.3	
<b>Replace or reposition dispensers or mirrors</b>	<b>\$200</b>
Notes: Mirror is mounted so bottom of reflecting surface is 45" (40" max) AFF.	
State: 1115B.8.1	
Federal: 4.19.6	
<b>Insulate water lines</b>	<b>\$100</b>
Notes: Hot water pipe is not insulated.	
State: 1115B.4.3 #4	
Federal: 4.19.4	
<b>Reposition controls and outlets</b>	<b>\$250</b>
Notes: The center of the grip of light switch is 52" (48" max.) AFF.	
State: 1117B.6 #5	
Federal: -	
<b>Replace or reposition fixtures</b>	<b>\$1,000</b>
Notes: Space from the wall to the centerline of the toilet is 23" (18" absolute).	
State: 1115B.7.1.3	
Federal: 4.17.3	
<b>Modify stall partitions and doors</b>	<b>\$500</b>
Notes: Space from the wall to the edge of the toilet is 27" (32" min).	
State: 1115B.4.1 #1	
Federal: 4.17.3	

**Fresno**

Selland Dressing Rooms

<b>Floor Arena</b>	
<b>19 - 1 Multiple User Restroom</b>	Priority:2
<b>Modify stall partitions and doors</b>	\$500
Notes: Compartment width is 58" (60" min).	
State: -	
Federal: 4.17.3	
<b>Replace or modify grab bars</b>	\$700
Notes: Grab bars are not provided.	
State: 1115B.4.1 #3	
Federal: 4.17.6	

**Fresno**

## Selland Dressing Rooms

<b>Floor Arena</b>	
<b>19 - 2 Multiple User Restroom</b>	<b>Priority:2</b>
<b>Install sign</b>	<b>\$250</b>
Notes: California required signage not provided on the door.	
State: 1115B.6	
Federal: 4.30.4	
<b>Install sign</b>	<b>\$250</b>
Notes: Federal required signage not provided on the latch side of the door. ISA not provided.	
State: 1115B.6, 1117B.5.1 #1, 1117B.5.5 #3, 1117B.5.8.1.2	
Federal: 4.30.4	
<b>Insulate water lines</b>	<b>\$100</b>
Notes: Hot water pipe is not insulated.	
State: 1115B.4.3 #4	
Federal: 4.19.4	
<b>Reposition controls and outlets</b>	<b>\$250</b>
Notes: The center of the grip of light switch is 53.5" (48" max.) AFF.	
State: 1117B.6 #5	
Federal: -	
<b>Replace or reposition fixtures</b>	<b>\$1,000</b>
Notes: Space from the wall to the centerline of the toilet is 19" (18" absolute).	
State: 1115B.7.1.3	
Federal: 4.17.3	
<b>Replace or modify grab bars</b>	<b>\$200</b>
Notes: Bars are centered 33-1/4" (33" absolute) AFF.	
State: 1115B.4.1 #3	
Federal: 4.17.6	
<b>Replace or reposition urinal</b>	<b>\$3,500</b>
Notes: Urinal is 18" (17" max) from the floor to the lip.	
State: 1115B.4.2 #1	
Federal: 4.18.2	
<b>Modify stall partitions and doors</b>	<b>\$500</b>
Notes: Door width is 32" (34" min) for end-entry stall. Strike-edge clearance is not provided.	
State: 1115B.3.1 #4.4	
Federal: -	

**Fresno**

Selland Dressing Rooms

<b>Floor Arena</b>	
<b>19 - 2 Multiple User Restroom</b>	Priority:2
<b>Widen corridor</b>	\$10,000
Notes: In the accessible restroom, the corridor from the restroom in to the accessible shower is 32" (44" min) wide.	
State: 1115B.3.1 #4.5	
Federal: 4.17.1	
<b>19 - 3 Multiple User Restroom</b>	Priority:4
<b>Replace or reposition urinal</b>	\$3,500
Notes: Urinal is 17.5" (17" max) from the floor to the lip.	
State: 1115B.4.2 #1	
Federal: 4.18.2	



**Fresno**

## Selland Dressing Rooms

<b>Floor Arena</b>	
<b>20 - 1 Single User Restroom</b>	Priority: 4
<b>Increase or provide maneuvering or clear floor area</b>	\$2,500
Notes: 30" x 48" min. clear floor space for wheelchair clearance is not provided. Turning area is 24.5" (60" min).	
State: 1115B.3.2 #1, 1115B.7.2	
Federal: 4.17.3, 4.23.3	
<b>Install sign</b>	\$250
Notes: California required signage not provided on the door.	
State: 1115B.6	
Federal: 4.30.4	
<b>Install sign</b>	\$250
Notes: Federal required signage not provided on the latch side of the door. ISA not provided.	
State: 1115B.6, 1117B.5.1 #1, 1117B.5.5 #3, 1117B.5.8.1.2	
Federal: 4.30.4	
<b>Modify lavatory/counter clearances</b>	\$3,500
Notes: Height of lavatory countertop is 34.5" (34" max) AFF.	
State: 1115B.4.3 #2	
Federal: 4.19.2	
<b>Reposition controls and outlets</b>	\$250
Notes: The center of the grip of the operating light switch is 54" (48" absolute) AFF.	
State: 1117B.6 #5	
Federal: -	
<b>Reposition controls and outlets</b>	\$250
Notes: The center of the electrical outlet is 53.25" (15" to 48") AFF.	
State: 1117B.6 #5	
Federal: -	
<b>Replace or reposition fixtures</b>	\$1,000
Notes: Space from the wall to the fixture is 10.5" (28" min).	
State: 1115B.4.1 #1	
Federal: 4.17.3	
<b>Replace or reposition fixtures</b>	\$1,000
Notes: Space from the wall to the centerline of the water closet is 16" (18" absolute).	
State: 1115B.4.1 #1	
Federal: 4.17.3	

**Fresno**

## Selland Dressing Rooms

<b>Floor Arena</b>	
<b>20 - 1 Single User Restroom</b>	Priority: 4
<b>Replace or modify grab bars</b>	\$700
Notes: Grab bars are not provided.	
State: 1115B.4.1 #3	
Federal: 4.17.6	
<b>22 - 1 Bathing Facility</b>	Priority: 2
<b>Replace or modify grab bars</b>	\$700
Notes: Grab bars are not provided.	
State: 1115B.4.4.8 #2	
Federal: 4.21.2	
<b>Replace or modify door threshold</b>	\$1,000
Notes: Threshold is 3" (1/2" max) high.	
State: 1115B.4.4.2	
Federal: -	
<b>Provide an accessible shower</b>	\$350
Notes: Shower seat is not provided.	
State: 1115B.4.4.8 #1	
Federal: 4.21.3	
<b>Replace or adjust water controls</b>	\$500
Notes: Water control valve is centered 46" (40" max) AFF. Water control requires more than 5 lbs to operate. Showerhead unit is mounted 83" (48" max) AFF. Hose is not provided.	
State: 1115B.4.4.4, 1115B.4.4.5	
Federal: 4.21.6, 4.27.4	

**Fresno**

## Selland Dressing Rooms

<b>Floor Arena</b>	
<b>22 - 2 Bathing Facility</b>	Priority: 4
<b>Replace or modify grab bars</b>	\$700
Notes: Grab bars are not provided.	
State: 1115B.4.4.8 #2	
Federal: 4.21.2	
<b>Replace or modify door threshold</b>	\$1,000
Notes: Threshold is 3" (1/2" max) high.	
State: 1115B.4.4.2	
Federal: -	
<b>Provide an accessible shower</b>	\$350
Notes: Shower seat is not provided.	
State: 1115B.4.4.8 #1	
Federal: 4.21.3	
<b>Replace or adjust water controls</b>	\$500
Notes: Water control valve is centered 43.5" (40" max) AFF. Water control requires more than 5 lbs to operate. Showerhead unit is mounted 79" (48" max) AFF. Hose is not provided.	
State: 1115B.4.4.4, 1115B.4.4.5	
Federal: 4.21.6, 4.27.4	
<b>22 - 3 Bathing Facility</b>	Priority: 2
<b>Replace or modify grab bars</b>	\$350
Notes: Grab bars are mounted 32" (33" to 36" ) AFF. Raise grab bars.	
State: 1115B.4.4.8 #2	
Federal: 4.21.4	
<b>Provide an accessible shower</b>	\$350
Notes: Clearance from the shower seat to adjacent wall surface is 1-3/4" (1" to 1-1/2"). Seat does not extend the full depth of stall. Relocate shower seat to the side wall.	
State: 1115B.4.4.8 #1	
Federal: 4.21.3	
<b>Replace or reposition dispensers or mirrors</b>	\$250
Notes: The diverter control is mounted 50" (40" max) AFF.	
State: 1115B.4.4.9	
Federal: -	
<b>Replace or reorient grate</b>	\$2,000
Notes: There is a gap that is 5.5"W and 4" D (used as a drainage) alongside the shower. Add metal plates to cover the gap.	
State: 115B.4.4.7	
Federal: -	

**Fresno**

## Selland Dressing Rooms

<b>Floor Arena</b>	
<b>22 - 4 Bathing Facility</b>	Priority:2
<b>Replace or modify grab bars</b>	\$350
Notes: Grab bars are mounted 32.5" (33" to 36" ) AFF. Raise grab bars.	
State: 1115B.4.4.8 #2	
Federal: 4.21.4	
<b>Provide an accessible shower</b>	\$350
Notes: Clearance from the shower seat to adjacent wall surface is 1-3/4" (1" to 1-1/2"). Seat does not extend the full depth of stall. Relocate shower seat to the side wall. Top of shower seat is 18.25" (18" absolute) AFF.	
State: 1115B.4.4.8 #1	
Federal: 4.21.3	
<b>Replace or reorient grate</b>	\$2,000
Notes: There is a gap that is 5.5"W and 4" D (used as a drainage) alongside the shower. Add metal plates to cover the gap.	
State: 115B.4.4.7	
Federal: -	
<b>23 - 1 Locker Room</b>	Priority:2
<b>Provide or replace stall door hardware</b>	\$100
Notes: Mounted clothing hooks are higher than 48" (48" max) AFF.	
State: 1117B.8	
Federal: A4.27	
<b>Provide accessible lockers</b>	\$500
Notes: Mounted shelves are mounted 72" (48" max for front approach, 54" max for side approach) AFF.	
State: 1118B.5	
Federal: -	
<b>23 - 2 Locker Room</b>	Priority:2
<b>Provide or replace stall door hardware</b>	\$100
Notes: Mounted clothing hooks are higher than 48" (48" max) AFF.	
State: 1117B.8	
Federal: A4.27	
<b>Provide accessible lockers</b>	\$500
Notes: Mounted shelves are mounted 72" (48" max for front approach, 54" max for side approach) AFF.	
State: 1118B.5	
Federal: -	

**Fresno**

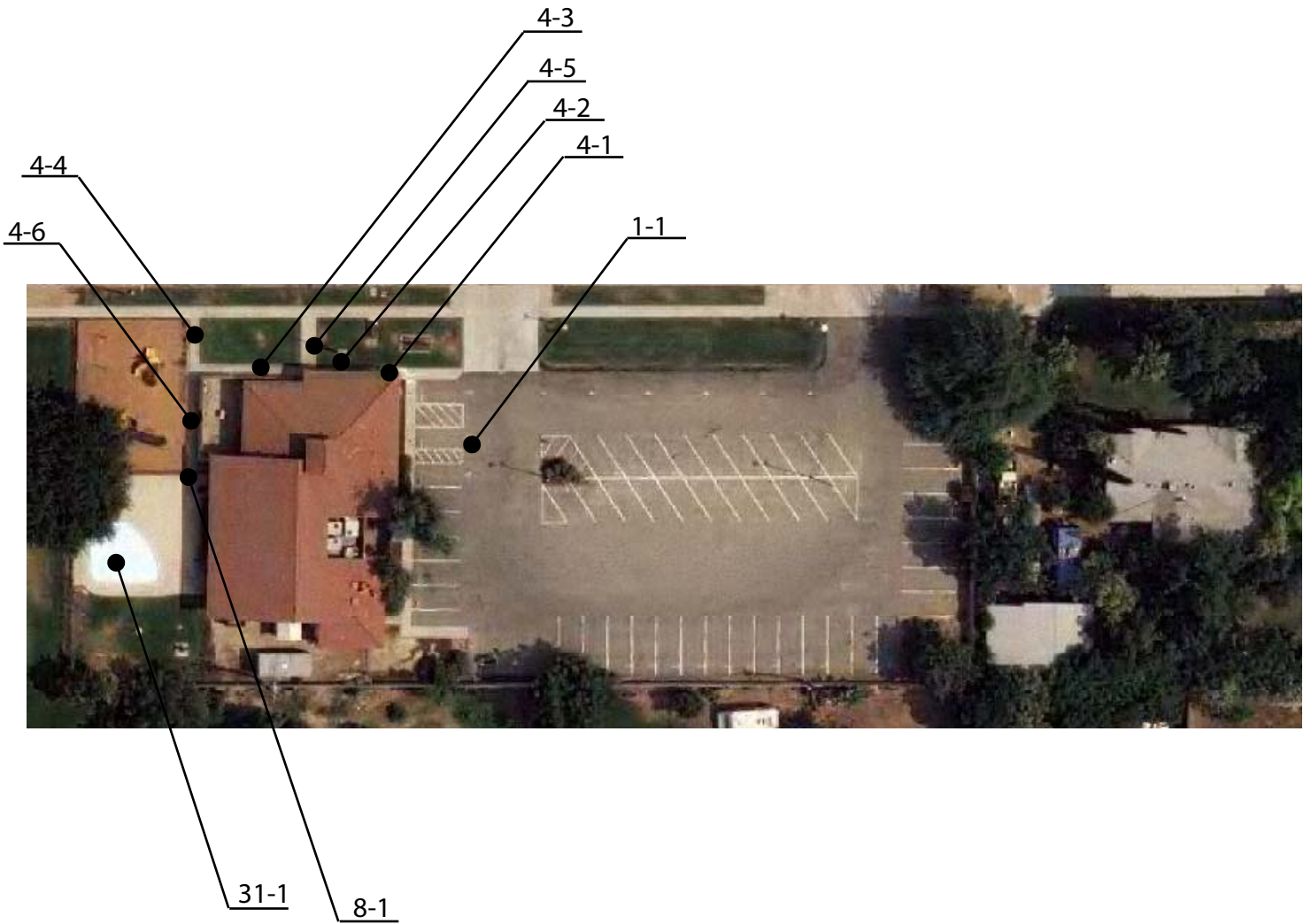
## Selland Dressing Rooms

<b>Floor Arena</b>	
<b>23 - 3 Locker Room</b>	Priority:2
<b>Provide or replace stall door hardware</b>	\$100
Notes: Mounted clothing hooks are higher than 48" (48" max) AFF.	
State: 1117B.8	
Federal: A4.27	
<b>Provide accessible lockers</b>	\$500
Notes: Mounted shelves are mounted 72" (48" max for front approach, 54" max for side approach) AFF.	
State: 1118B.5	
Federal: -	
<b>23 - 4 Locker Room</b>	Priority:2
<b>Provide or replace stall door hardware</b>	\$100
Notes: Mounted clothing hooks are higher than 48" (48" max) AFF.	
State: 1117B.8	
Federal: A4.27	
<b>Provide accessible lockers</b>	\$500
Notes: Mounted shelves are mounted 72" (48" max for front approach, 54" max for side approach) AFF.	
State: 1118B.5	
Federal: -	
<b>25 - 1 Kitchen</b>	Priority:2
<b>Provide an accessible counter</b>	\$4,000
Notes: Countertop is 35.5" (34" max) AFF. Base cabinet directly under the sink is not designed for repositioning or are removable to provide clearance for wheelchair.	
State: 1115B.4.7 #1	
Federal: 1115B.4.7 #1	
<b>Modify lavatory/counter clearances</b>	\$3,500
Notes: Sink countertop is 35.5" (34" max) AFF. Sink depth is 7" (6.5" max) deep.	
State: 1115B.4.7 #1	
Federal: 4.24.2, 4.24.4	
<b>Provide an accessible counter</b>	\$4,000
Notes: There are 2 microwaves with controls mounted at 68" (54" max for side approach) AFF.	
State: -	
Federal: 1115B.4.7 #1	

**Fresno**

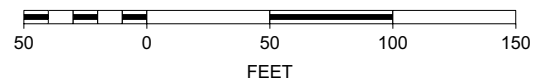
Selland Dressing Rooms

<b>Floor Arena</b>	
<b>25 - 2 Kitchen</b>	Priority:2
<b>Provide an accessible counter</b>	\$4,000
Notes: Sink countertop is 35.5" (34" max) AFF. Base cabinet directly under the sink is not designed for repositioning or are removable to provide clearance for wheelchair.	
State: 1115B.4.7 #1	
Federal: 1115B.4.7 #1	
<b>25 - 3 Kitchen</b>	Priority:2
<b>Provide an accessible counter</b>	\$4,000
Notes: Base cabinet directly under the sink is not designed for repositioning or are removable to provide clearance for wheelchair.	
State: 1115B.4.7 #1	
Federal: -	



Sunset Neighborhood Center - Exterior  
1345 West Eden, Fresno

SCALE 1 : 822



**Fresno**

## Sunset Neighborhood Center

<b>Exterior</b>		
<b>1 - 1</b>	<b>Parking Area</b>	Priority: 1
<b>Install sign</b>		\$100
Notes: The words 'NO PARKING' are not painted in the two access aisles.		
State: 1129B.3 #1, 1129B.3 #2		
Federal: -		
<b>Provide or modify accessible spaces</b>		\$150
Notes: ISA are painted in the parking stalls. Repaint the three ISAs.		
State: 1129B.4		
Federal: 4.6.4		
<b>Install sign for unauthorized parking</b>		\$400
Notes: Tow-away signage is not provided.		
State: 1129B.4, 1133B.8.6.3		
Federal: -		
<b>Regrade surface</b>		\$5,400
Notes: Cross slopes in the three accessible stalls range from 2% to 4.2% (2% max).		
State: 1129B.3 #4		
Federal: 4.6.3		
<b>Regrade surface</b>		\$3,600
Notes: Slopes in the two access aisles range from 2.2% to 5.5% (2% max).		
State: 1129B.3 #4		
Federal: 4.6.3		
<b>Provide or modify accessible spaces</b>		\$750
Notes: Stall length for all three stalls are 17'3" (18 feet min). Stall width for one accessible stall is 8'10" (9 feet min).		
State: 1129B.4 #1		
Federal: 4.6.3		
<b>Install sign</b>		\$250
Notes: Additional "Minimum Fine \$250" sign/language are not provided.		
State: 1129B.4		
Federal: -		
<b>4 - 1</b>	<b>Walk</b>	Priority: 4
<b>Regrade surface</b>		\$80
Notes: Cross slope ranges from 2.1% to 2.3% (2% max) for a distance of 2'. Cost per linear feet.		
State: 1133B.7.1.3		
Federal: 4.3.7		



**Fresno**

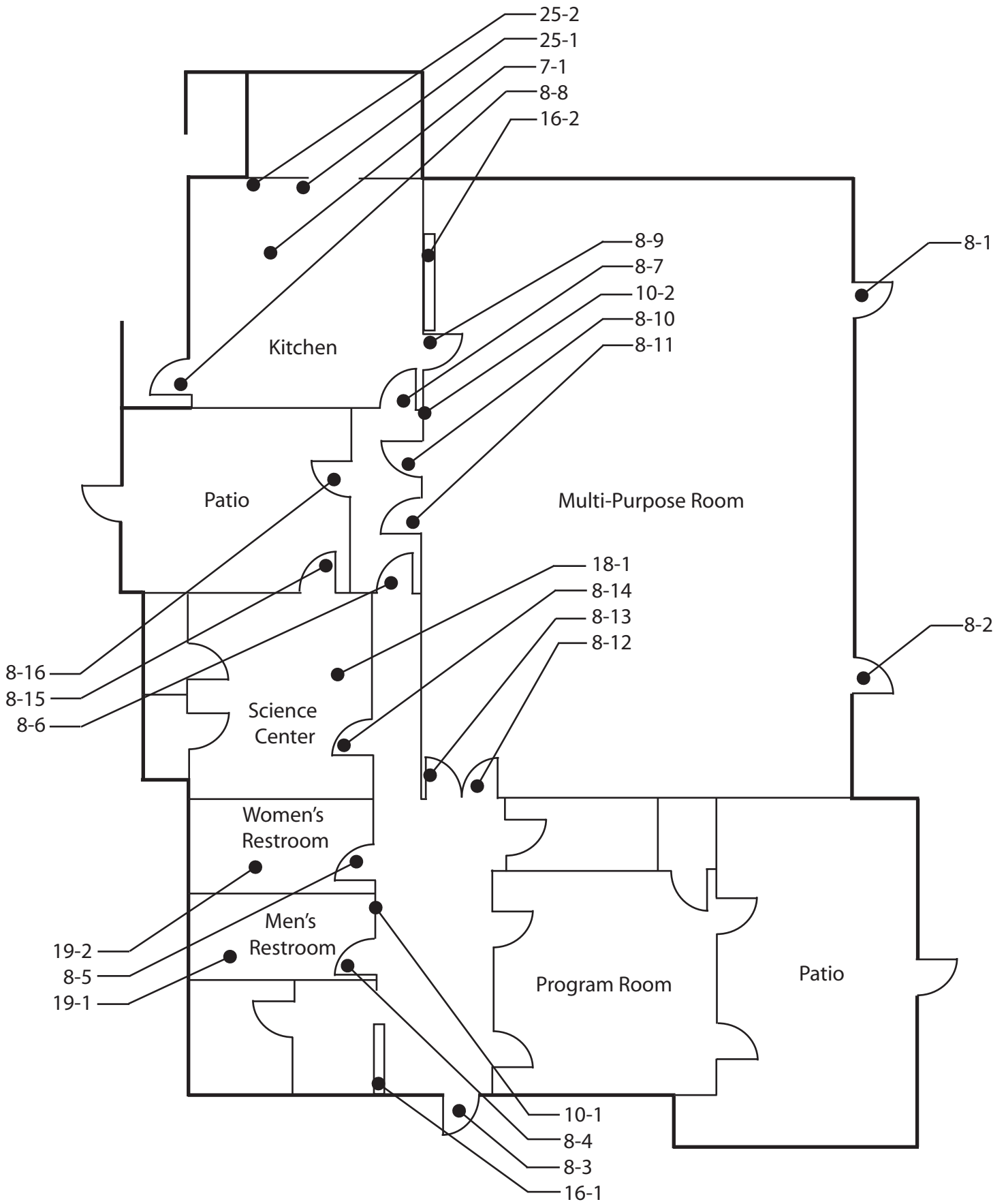
Sunset Neighborhood Center

<b>Exterior</b>	
<b>4 - 2</b>	<b>Walk</b> <span style="float: right;">Priority: 4</span>
<b>Regrade surface</b>	<b>\$320</b>
Notes:	Cross slope ranges from 2.1% to 2.2% (2% max) for a distance of 8'. Cost per linear feet.
State:	1133B.7.1.3
Federal:	4.3.7
<b>4 - 3</b>	<b>Walk</b> <span style="float: right;">Priority: 1</span>
<b>Regrade surface</b>	<b>\$800</b>
Notes:	Cross slope ranges from 2.1% to 2.9% (2% max) for a distance of 19'6". Cost per linear feet.
State:	1133B.7.1.3
Federal:	4.3.7
<b>4 - 4</b>	<b>Walk</b> <span style="float: right;">Priority: 1</span>
<b>Regrade surface</b>	<b>\$720</b>
Notes:	Running slope ranges from 5.1% to 6.53% (5% max) for a distance of 17'4". Cost per linear feet.
State:	1133B.7.3
Federal:	4.3.7
<b>4 - 5</b>	<b>Walk</b> <span style="float: right;">Priority: 1</span>
<b>Regrade surface</b>	<b>\$720</b>
Notes:	Running slope ranges from 5.1% to 7% (2% max) for a distance of 18'. Cost per linear feet.
State:	1133B.7.3
Federal:	4.3.7
<b>4 - 6</b>	<b>Walk</b> <span style="float: right;">Priority: 1</span>
<b>Install warning curb</b>	<b>\$200</b>
Notes:	Drop exceeds 4" at playground. Refill engineered fibar in the children's playground.
State:	1133B.8.1
Federal:	-

**Fresno**

Sunset Neighborhood Center

<b>Exterior</b>		
<b>8 - 1</b>	<b>Door/Gate</b>	<b>Priority:2</b>
	<b>Replace or adjust door hardware</b>	<b>\$300</b>
Notes: Center of door hardware is 45" (30" to 44") AFF.		
State: 1133B.2.5.2		
Federal: 4.13.9		
	<b>Provide or modify door kickplate</b>	<b>\$100</b>
Notes: Door is a fenced gate, therefore kickplate is not provided.		
State: 1133B.2.6		
Federal: -		
	<b>Provide additional strike edge clearance</b>	<b>\$3,000</b>
Notes: Strike-edge clearance on swing-side is not provided.		
State: 1133B.2.4.3		
Federal: 4.13.6		
<b>31 - 1</b>	<b>Swimming Pool / Wading Pools / Spas (int. or ext.)</b>	<b>Priority:4</b>
	<b>Provide an accessible method for entering the pool</b>	<b>\$3,500</b>
Notes: Accessible ramp is not provided into the wading pool.		
State: 1133B.5.5.1		
Federal: 15.8.6.2		



Sunset Neighborhood Center - First Floor  
 1345 West Eden, Fresno

**Fresno**

Sunset Neighborhood Center

<b>Floor 1</b>		
<b>7 - 1</b>	<b>Hazard</b>	Priority: 4
<b>Remove overhanging or protruding objects</b>		\$100
Notes: Hood in the kitchen is 76-7/8" (80" min) high.		
State: 1133B.8.2, 1133B.8.6.2		
Federal: 4.4.2		
<b>8 - 1</b>	<b>Door/Gate</b>	Priority: 2
<b>Replace or modify door threshold</b>		\$300
Notes: Threshold is 3/4" (1/2" max) high.		
State: 1133B.2.4.1		
Federal: 4.13.8		
<b>Enlarge door opening</b>		\$3,500
Notes: Height of clear opening is 78" (80" min) due to door closer.		
State: 1008.11, 1133B.2.2		
Federal: 4.4.2		
<b>Adjust door closer</b>		\$100
Notes: Operating effort is 12 lbs (5 lbs max). Unsure if it is a fire door.		
State: 1133B.2.5		
Federal: 4.13.11		
<b>Increase or provide maneuvering or clear floor area</b>		\$2,500
Notes: Slope on the swing-side of door is 4.6% (2% max).		
State: 1133B.2, 1133B.2.4.2, 1133B.7.5		
Federal: 4.13.6		
<b>Provide additional strike edge clearance</b>		\$3,000
Notes: Strike-edge clearance on swing-side is 13-1/2" (24" min) for exterior doors.		
State: 1133B.2.4.3		
Federal: 4.13.6		
<b>Install or modify permanent room signs</b>		\$250
Notes: There is an exit sign but Braille is not provided.		
State: -		
Federal: 1117B.5.7, 4.30.6		

**Fresno**

Sunset Neighborhood Center

<b>Floor 1</b>	
<b>8 - 2</b>	<b>Door/Gate</b>
	Priority:2
<b>Replace or modify door threshold</b>	<b>\$300</b>
Notes: Threshold is 3/4" (1/2" max) high.	
State: 1133B.2.4.1	
Federal: 4.13.8	
<b>Enlarge door opening</b>	<b>\$3,500</b>
Notes: Height of clear opening is 77" (80" min) due to door closer.	
State: 1008.11, 1133B.2.2	
Federal: 4.4.2	
<b>Adjust door closer</b>	<b>\$100</b>
Notes: Operating effort is 8 lbs (5 lbs max).	
State: 1133B.2.5	
Federal: 4.13.11	
<b>Increase or provide maneuvering or clear floor area</b>	<b>\$2,500</b>
Notes: Slope on the swing-side of door is 4.7% (2% max).	
State: 1133B.2, 1133B.2.4.2, 1133B.7.5	
Federal: 4.13.6	
<b>Provide additional strike edge clearance</b>	<b>\$3,000</b>
Notes: Strike-edge clearance on swing-side is 13-1/2" (24" min) for exterior doors.	
State: 1133B.2.4.3	
Federal: 4.13.6	
<b>Install or modify permanent room signs</b>	<b>\$250</b>
Notes: There is an exit sign but Braille is not provided.	
State: -	
Federal: 1117B.5.7, 4.30.6	

**Fresno**

## Sunset Neighborhood Center

<b>Floor 1</b>	
<b>8 - 3</b>	<b>Door/Gate</b> <span style="float: right;">Priority: 1</span>
<b>Replace or modify door threshold</b>	<b>\$300</b>
Notes: Threshold is 1" (1/2" max) high.	
State: 1133B.2.4.1	
Federal: 4.13.8	
<b>Enlarge door opening</b>	<b>\$3,500</b>
Notes: Height of clear opening is 78-3/4" (80" min) due to door closer.	
State: 1008.11, 1133B.2.2	
Federal: 4.4.2	
<b>Adjust door closer</b>	<b>\$100</b>
Notes: Operating effort is 13 lbs (5 lbs max).	
State: 1133B.2.5	
Federal: 4.13.11	
<b>Increase or provide maneuvering or clear floor area</b>	<b>\$2,500</b>
Notes: Slope on the swing-side of door is 3.4% (2% max).	
State: 1133B.2, 1133B.2.4.2, 1133B.7.5	
Federal: 4.13.6	
<b>Install or modify permanent room signs</b>	<b>\$250</b>
Notes: There is an exit sign but Braille is not provided.	
State: -	
Federal: 1117B.5.7, 4.30.6	
<b>Provide sign(s) indicating accessible entries and facilities</b>	<b>\$100</b>
Notes: ISA not provided.	
State: 1117B.5.8.1.2, 1127B.3	
Federal: 4.13.6	

**Fresno**

Sunset Neighborhood Center

<b>Floor 1</b>		
<b>8 - 4</b>	<b>Door/Gate</b>	<b>Priority:2</b>
<b>Enlarge door opening</b>		<b>\$3,500</b>
Notes: Height of clear opening is 77-3/4" (80" min) due to door closer.		
State: 1008.11, 1133B.2.2		
Federal: 4.4.2		
<b>Adjust door closer</b>		<b>\$100</b>
Notes: Operating effort is 13 lbs (5 lbs max).		
State: 1133B.2.5		
Federal: 4.13.11		
<b>Increase or provide maneuvering or clear floor area</b>		<b>\$2,500</b>
Notes: Level space on the swing-side is 45" (60" min).		
State: 1133B.2, 1133B.2.4.2, 1133B.7.5		
Federal: 4.13.6		
<b>8 - 5</b>	<b>Door/Gate</b>	<b>Priority:2</b>
<b>Enlarge door opening</b>		<b>\$3,500</b>
Notes: Height of clear opening is 78-1/4" (80" min) due to door closer.		
State: 1008.11, 1133B.2.2		
Federal: 4.4.2		
<b>Adjust door closer</b>		<b>\$100</b>
Notes: Operating effort is 6 lbs (5 lbs max).		
State: 1133B.2.5		
Federal: 4.13.11		
<b>Increase or provide maneuvering or clear floor area</b>		<b>\$2,500</b>
Notes: Level space on the swing-side is 44-1/2" (60" min).		
State: 1133B.2, 1133B.2.4.2, 1133B.7.5		
Federal: 4.13.6		

**Fresno**

Sunset Neighborhood Center

<b>Floor 1</b>		
<b>8 - 6</b>	<b>Door/Gate</b>	<b>Priority:2</b>
<b>Enlarge door opening</b>		<b>\$3,500</b>
Notes: Height of clear opening is 77-1/4" (80" min) due to door closer.		
State: 1008.11, 1133B.2.2		
Federal: 4.4.2		
<b>Adjust door closer</b>		<b>\$100</b>
Notes: Operating effort is 12 lbs (5 lbs max).		
State: 1133B.2.5		
Federal: 4.13.11		
<b>Provide additional strike edge clearance</b>		<b>\$3,000</b>
Notes: Strike-edge clearance on the push-side is 6-1/2" (12" min).		
State: 1133B.2.4.3		
Federal: 4.13.6		
<b>8 - 7</b>	<b>Door/Gate</b>	<b>Priority:2</b>
<b>Enlarge door opening</b>		<b>\$3,500</b>
Notes: Height of clear opening is 78" (80" min) due to door closer.		
State: 1008.11, 1133B.2.2		
Federal: 4.4.2		
<b>Adjust door closer</b>		<b>\$100</b>
Notes: Operating effort is 6 lbs (5 lbs max).		
State: 1133B.2.5		
Federal: 4.13.11		
<b>Replace or adjust door hardware</b>		<b>\$300</b>
Notes: Doorknob requires grasping and twisting.		
State: 1133B.2.5.2		
Federal: 4.13.9		
<b>Provide additional strike edge clearance</b>		<b>\$75</b>
Notes: Strike-edge clearance on swing-side is 6-1/2" (18" min) due to fire extinguisher. Relocate fire extinguisher.		
State: 1133B.2.4.3		
Federal: 4.13.6		



**Fresno**

Sunset Neighborhood Center

<b>Floor 1</b>	
<b>8 - 8</b>	<b>Door/Gate</b> <span style="float: right;">Priority: 4</span>
<b>Enlarge door opening</b>	<b>\$3,500</b>
Notes: Height of clear opening is 78-1/8" (80" min) due to door closer.	
State: 1008.11, 1133B.2.2	
Federal: 4.4.2	
<b>Adjust door closer</b>	<b>\$100</b>
Notes: Operating effort is 6 lbs (5 lbs max).	
State: 1133B.2.5	
Federal: 4.13.11	
<b>Replace or adjust door hardware</b>	<b>\$300</b>
Notes: Doorknob requires grasping and twisting.	
State: 1133B.2.5.2	
Federal: 4.13.9	
<b>Replace or modify door threshold</b>	<b>\$300</b>
Notes: Threshold is 3/4" (1/2" max) high.	
State: 1133B.2.4.1	
Federal: 4.13.8	
<b>Increase or provide maneuvering or clear floor area</b>	<b>\$2,500</b>
Notes: Slope on swing-side is 2.4% (2% max).	
State: 1133B.2, 1133B.2.4.2, 1133B.7.5	
Federal: 4.13.6	
<b>Provide additional strike edge clearance</b>	<b>\$3,000</b>
Notes: Strike-edge clearance on push-side is 3-1/2" (12" min) due to mounted sink.	
State: 1133B.2.4.3	
Federal: 4.13.6	
<b>Install or modify permanent room signs</b>	<b>\$250</b>
Notes: There is an exit sign but Braille is not provided.	
State: -	
Federal: 1117B.5.7, 4.30.6	

**Fresno**

Sunset Neighborhood Center

<b>Floor 1</b>		
<b>8 - 9</b>	<b>Door/Gate</b>	<b>Priority:2</b>
<b>Enlarge door opening</b>		<b>\$3,500</b>
Notes: Height of clear opening is 79-1/8" (80" min) due to door closer.		
State: 1008.11, 1133B.2.2		
Federal: 4.4.2		
<b>Adjust door closer</b>		<b>\$100</b>
Notes: Operating effort is 7 lbs (5 lbs max).		
State: 1133B.2.5		
Federal: 4.13.11		
<b>Replace or adjust door hardware</b>		<b>\$300</b>
Notes: Doorknob requires grasping and twisting.		
State: 1133B.2.5.2		
Federal: 4.13.9		
<b>Provide additional strike edge clearance</b>		<b>\$3,000</b>
Notes: Strike-edge clearance on swing-side is 14-1/2" (12" min) due to drinking fountain.		
State: 1133B.2.4.3		
Federal: 4.13.6		
<b>8 - 10</b>	<b>Door/Gate</b>	<b>Priority:2</b>
<b>Enlarge door opening</b>		<b>\$3,500</b>
Notes: Height of clear opening is 77-1/4" (80" min) due to door closer.		
State: 1008.11, 1133B.2.2		
Federal: 4.4.2		
<b>Install or modify permanent room signs</b>		<b>\$250</b>
Notes: There is an exit sign but Braille is not provided.		
State: -		
Federal: 1117B.5.7, 4.30.6		

**Fresno**

Sunset Neighborhood Center

<b>Floor 1</b>	
<b>8 - 11 Door/Gate</b>	Priority:2
<b>Enlarge door opening</b>	\$3,500
Notes: Height of clear opening is 77" (80" min) due to door closer.	
State: 1008.11, 1133B.2.2	
Federal: 4.4.2	
<b>Install or modify permanent room signs</b>	\$250
Notes: There is an exit sign but Braille is not provided.	
State: -	
Federal: 1117B.5.7, 4.30.6	
<b>Replace or adjust door hardware</b>	\$300
Notes: Thumblatch requires pinching.	
State: 1133B.2.5.2	
Federal: 4.13.9	
<b>Adjust door closer</b>	\$100
Notes: Operating effort is 7 lbs (5 lbs max).	
State: 1133B.2.5	
Federal: 4.13.11	
<b>8 - 12 Door/Gate</b>	Priority:2
<b>Enlarge door opening</b>	\$3,500
Notes: Height of clear opening is 77-1/8" (80" min) due to door closer.	
State: 1008.11, 1133B.2.2	
Federal: 4.4.2	
<b>8 - 13 Door/Gate</b>	Priority:2
<b>Enlarge door opening</b>	\$3,500
Notes: Height of clear opening is 78-1/2" (80" min) due to door closer.	
State: 1008.11, 1133B.2.2	
Federal: 4.4.2	
<b>Adjust door closer</b>	\$100
Notes: Operating effort is 6 lbs (5 lbs max).	
State: 1133B.2.5	
Federal: 4.13.11	

**Fresno**

Sunset Neighborhood Center

<b>Floor 1</b>	
<b>8 - 14 Door/Gate</b>	<b>Priority:2</b>
<b>Replace or adjust door hardware</b>	<b>\$300</b>
Notes: Doorknob requires grasping and twisting.	
State: 1133B.2.5.2	
Federal: 4.13.9	
<b>Provide additional strike edge clearance</b>	<b>\$75</b>
Notes: Strike-edge clearance on swing-side is 2" (18" min) due to fixed workstation. Move workstation further to the left, so that an 18" strike-edge clearance is provided.	
State: 1133B.2.4.3	
Federal: 4.13.6	
<b>8 - 15 Door/Gate</b>	<b>Priority:4</b>
<b>Enlarge door opening</b>	<b>\$3,500</b>
Notes: Height of clear opening is 79" (80" min) due to door closer.	
State: 1008.11, 1133B.2.2	
Federal: 4.4.2	
<b>Adjust door closer</b>	<b>\$100</b>
Notes: Operating effort is 14 lbs (5 lbs max).	
State: 1133B.2.5	
Federal: 4.13.11	
<b>Replace or adjust door hardware</b>	<b>\$300</b>
Notes: Doorknob requires grasping and twisting.	
State: 1133B.2.5.2	
Federal: 4.13.9	
<b>Replace or modify door threshold</b>	<b>\$300</b>
Notes: Threshold is 3/4" (1/2" max) high.	
State: 1133B.2.4.1	
Federal: 4.13.8	
<b>Provide additional strike edge clearance</b>	<b>\$75</b>
Notes: Strike-edge clearance on push-side is not provided due to bookshelf obstruction. Relocate bookshelf.	
State: 1133B.2.4.3	
Federal: 4.13.6	

**Fresno**

Sunset Neighborhood Center

<b>Floor 1</b>	
<b>8 - 16 Door/Gate</b>	Priority: 4
<b>Enlarge door opening</b>	\$3,500
Notes: Height of clear opening is 78" (80" min) due to door closer.	
State: 1008.11, 1133B.2.2	
Federal: 4.4.2	
<b>Adjust door closer</b>	\$100
Notes: Door is chained lock, therefore it was not surveyed.	
State: 1133B.2.5	
Federal: 4.13.11	
<b>Replace or adjust door hardware</b>	\$300
Notes: Thumblatch requires pinching.	
State: 1133B.2.5.2	
Federal: 4.13.9	
<b>Replace or modify door threshold</b>	\$300
Notes: Threshold is 3/4" (1/2" max) high.	
State: 1133B.2.4.1	
Federal: 4.13.8	
<b>Install or modify permanent room signs</b>	\$250
Notes: There is an exit sign but Braille is not provided.	
State: -	
Federal: 1117B.5.7, 4.30.6	
<b>10 - 1 Drinking Fountain</b>	Priority: 4
<b>Provide wing walls or textured floor surface</b>	\$750
Notes: Wing walls are not provided.	
State: 1115B.4.6 #3	
Federal: 4.15.5	
<b>Replace or reposition drinking fountain</b>	\$3,500
Notes: Hi-low fountain is not provided.	
State: 1115B.4.6 #1	
Federal: 4.1.6	

**Fresno**

Sunset Neighborhood Center

<b>Floor 1</b>	
<b>10 - 2 Drinking Fountain</b>	Priority: 3
<b>Replace or reposition drinking fountain</b>	\$3,500
Notes: Hi-low fountain is not provided. Height is 4-1/2" (27" min). Depth is 14-1/2" (18" to 19"). Toe clearance is 4-1/2" (9" min) high.	
State: 1115B.4.6, 1115B.4.6 #1, 1115B.4.6 #2, 1117B.4.6 #2	
Federal: 4.1.6, 4.15.2, 4.15.5	
<b>Replace or adjust water controls</b>	\$500
Notes: Operating effort is 6 lbs (5 lbs max).	
State: 1115B.4.6 #4	
Federal: 4.15.4	
<b>16 - 1 Transaction Counter</b>	Priority: 2
<b>Provide an accessible counter</b>	\$4,000
Notes: Transaction counter is 42-1/8" (34" max) AFF.	
State: 1122B.5	
Federal: 4.32.4	
<b>16 - 2 Transaction Counter</b>	Priority: 2
<b>Provide an accessible counter</b>	\$4,000
Notes: Transaction counter is 43" (34" max) AFF.	
State: 1122B.5	
Federal: 4.32.4	
<b>18 - 1 Room</b>	Priority: 4
<b>Reposition controls and outlets</b>	\$250
Notes: The center of the grip of the operating handle of light switch is 50-1/2" (48") AFF.	
State: 1117B.6 #5.5.2	
Federal: 4.27.3	
<b>Adjust shelving, storage, or work space</b>	\$75
Notes: Currently, there is not an accessible workstation due to toolboxes located underneath the workstation. If one toolbox is relocated to provide the correct knee clearance dimensions, it can provide an accessible workstation.	
State: 1122B.3, 1122B.4	
Federal: 4.32.3, 4.32.4	

**Fresno**

Sunset Neighborhood Center

<b>Floor 1</b>	
<b>19 - 1 Multiple User Restroom</b>	<b>Priority:2</b>
<b>Widen corridor</b>	<b>\$10,000</b>
Notes: Entry corridor is 42" (44" min) wide.	
State: 1115B.3.1 #4.5	
Federal: 4.17.1	
<b>Install sign</b>	<b>\$250</b>
Notes: California required signage is not provided on the door.	
State: 1115B.6	
Federal: 4.30.4	
<b>Install sign</b>	<b>\$250</b>
Notes: Federal required signage is not provided on the latch side of the door. ISA not provided.	
State: 1115B.6, 1117B.5.1 #1, 1117B.5.5 #3, 1117B.5.8.1.2	
Federal: 4.30.4	
<b>Replace or reposition dispensers or mirrors</b>	<b>\$250</b>
Notes: Towel dispenser is 59" (40" max) AFF.	
State: 1115B.8.3	
Federal: 4.23.7	
<b>Modify lavatory/counter clearances</b>	<b>\$1,500</b>
Notes: Space under the bowl is 25" (27" min) when measured 8" from the front edge.	
State: 1115B.4.3 #2	
Federal: 4.19.2	
<b>Insulate water lines</b>	<b>\$100</b>
Notes: Drain pipes are not insulated.	
State: 1115B.4.3 #4	
Federal: 4.19.4	
<b>Replace or reposition urinal</b>	<b>\$3,500</b>
Notes: Urinal is 21" (17" max) from the floor to the lip, with the rim projecting 13-1/4" (14" min) from the wall.	
State: 1115B.4.2 #1	
Federal: 4.18.2	
<b>Replace or reposition urinal</b>	<b>\$3,500</b>
Notes: Space in front of the urinal is 30" x 41" (30" x 48" min).	
State: -	
Federal: 4.18.3	

**Fresno**

Sunset Neighborhood Center

<b>Floor 1</b>	
<b>19 - 1 Multiple User Restroom</b>	<b>Priority:2</b>
<b>Reposition controls and outlets</b>	<b>\$250</b>
Notes: Center of the grip of the operating handle of light switch is 50" (48") AFF.	
State: 1117B.6 #5	
Federal: -	
<b>Replace or reposition fixtures</b>	<b>\$1,000</b>
Notes: Space from the wall to the centerline of the toilet is 20" (18" req).	
State: 1115B.7.1.3	
Federal: 4.17.3	
<b>Modify stall partitions and doors</b>	<b>\$500</b>
Notes: Space from the edge of the toilet to the wall is 12" (32" min).	
State: 1115B.4.1 #1	
Federal: 4.17.3	
<b>Modify stall partitions and doors</b>	<b>\$500</b>
Notes: Compartment is 38" (60" min) wide.	
State: -	
Federal: 4.17.3	
<b>Replace toilet or adjust toilet seat height</b>	<b>\$200</b>
Notes: Toilet seat height is 15-3/4" (17" to 19") AFF.	
State: 1115B.4.1 #4	
Federal: 4.16.3	
<b>Reposition toilet flush controls</b>	<b>\$750</b>
Notes: Flush control is not on the wide side.	
State: 1115B.4.1 #5	
Federal: 4.16.5	
<b>Replace or reposition dispensers or mirrors</b>	<b>\$100</b>
Notes: Seat cover dispenser is 52" (40" max) AFF.	
State: 1115B.8.3	
Federal: 4.23.7	
<b>Replace or modify grab bars</b>	<b>\$700</b>
Notes: Bars are centered at 33-1/4" (33" req) AFF. Rear grab bar is not provided. Grab bar cannot withstand 250 lbs load.	
State: 1115B.4.1 #3, 1115B.4.1 #3.2, 1115B.7.2 #4	
Federal: 4.17.6	



**Fresno**

Sunset Neighborhood Center

<b>Floor 1</b>	
<b>19 - 2 Multiple User Restroom</b>	<b>Priority:2</b>
<b>Widen corridor</b>	<b>\$10,000</b>
Notes: Entry corridor is 42-1/2" (44" min) wide.	
State: 1115B.3.1 #4.5	
Federal: 4.17.1	
<b>Install sign</b>	<b>\$250</b>
Notes: California required signage is not provided on the door.	
State: 1115B.6	
Federal: 4.30.4	
<b>Install sign</b>	<b>\$250</b>
Notes: Federal required signage is not provided on the latch side of the door. ISA not provided.	
State: 1115B.6, 1117B.5.1 #1, 1117B.5.5 #3, 1117B.5.8.1.2	
Federal: 4.30.4	
<b>Replace or reposition dispensers or mirrors</b>	<b>\$500</b>
Notes: Towel dispenser is 54-1/2" (40" max) AFF. Soap dispenser is 42" (40" max) AFF.	
State: 1115B.8.3	
Federal: 4.23.7	
<b>Modify lavatory/counter clearances</b>	<b>\$1,500</b>
Notes: Space under the bowl is 25" (27" min) when measured 8" from the front edge.	
State: 1115B.4.3 #2	
Federal: 4.19.2	
<b>Insulate water lines</b>	<b>\$100</b>
Notes: Drain pipes are not insulated.	
State: 1115B.4.3 #4	
Federal: 4.19.4	
<b>Reposition controls and outlets</b>	<b>\$250</b>
Notes: Center of the grip of the operating handle of light switch is 49-3/4" (48") AFF.	
State: 1117B.6 #5	
Federal: -	
<b>Replace or reposition fixtures</b>	<b>\$1,000</b>
Notes: Space from the wall to the centerline of the toilet is 19-7/8" (18" req).	
State: 1115B.7.1.3	
Federal: 4.17.3	

**Fresno**

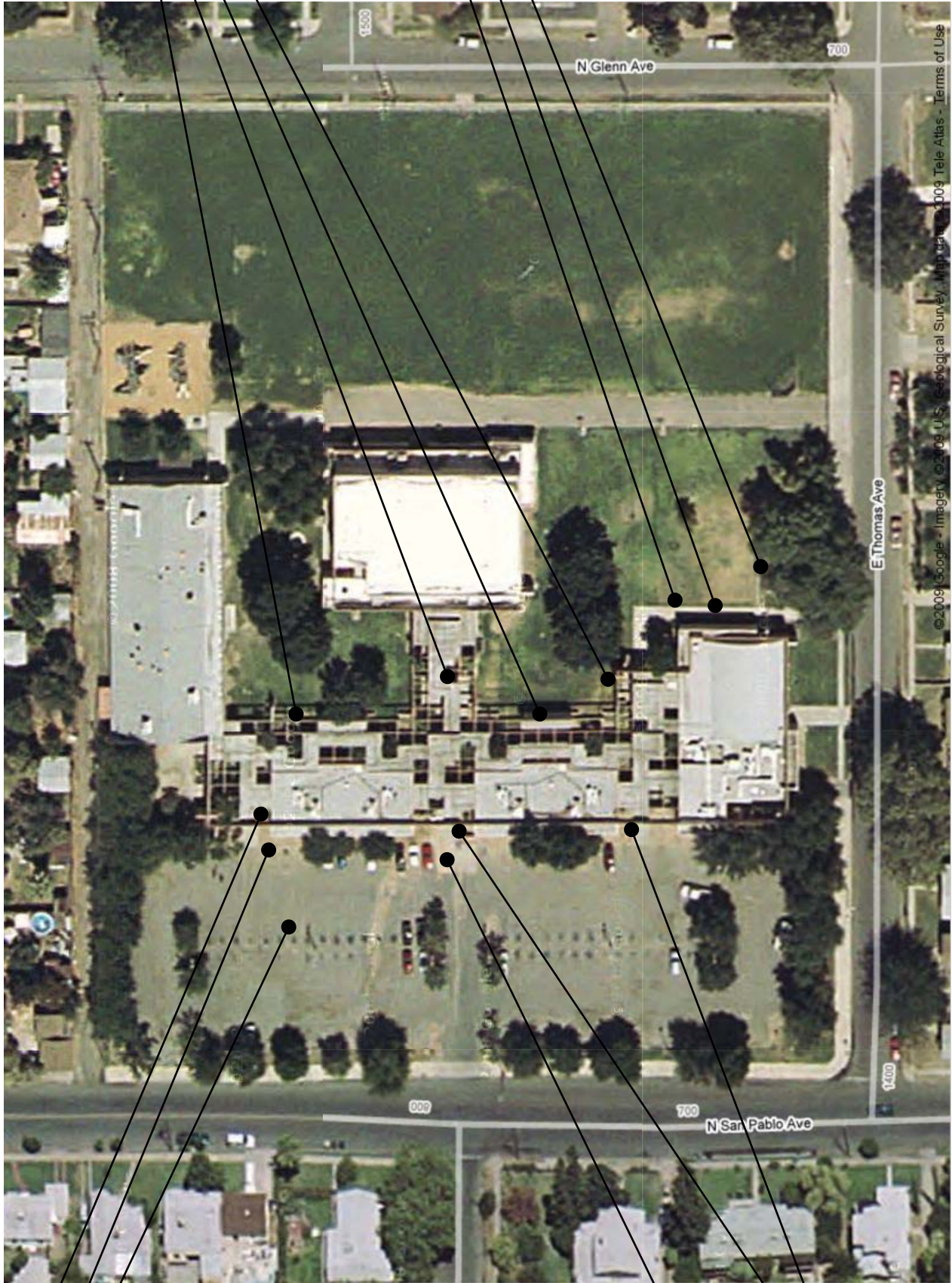
Sunset Neighborhood Center

<b>Floor 1</b>	
<b>19 - 2 Multiple User Restroom</b>	<b>Priority:2</b>
<b>Modify stall partitions and doors</b>	<b>\$500</b>
Notes: Space from the edge of the toilet to the wall is 14-3/4" (32" min).	
State: 1115B.4.1 #1	
Federal: 4.17.3	
<b>Modify stall partitions and doors</b>	<b>\$500</b>
Notes: Compartment is 41-1/2" (60" min) wide.	
State: -	
Federal: 4.17.3	
<b>Replace toilet or adjust toilet seat height</b>	<b>\$200</b>
Notes: Toilet seat height is 16-5/8" (17" to 19") AFF.	
State: 1115B.4.1 #4	
Federal: 4.16.3	
<b>Reposition toilet flush controls</b>	<b>\$750</b>
Notes: Flush control is not on the wide side.	
State: 1115B.4.1 #5	
Federal: 4.16.5	
<b>Replace or reposition dispensers or mirrors</b>	<b>\$100</b>
Notes: Seat cover dispenser is 52" (40" max) AFF.	
State: 1115B.8.3	
Federal: 4.23.7	
<b>Replace or modify grab bars</b>	<b>\$450</b>
Notes: Bars are centered at 32-5/8" (33" req) AFF. Rear grab bar is not provided.	
State: 1115B.4.1 #3, 1115B.4.1 #3.2	
Federal: 4.17.6	
<b>Provide or replace stall door hardware</b>	<b>\$100</b>
Notes: U-shaped handle not provided on the back of compartment door.	
State: 1115B.3.1 #4.5	
Federal: 4.13.9	
<b>Provide or replace stall door hardware</b>	<b>\$100</b>
Notes: Latch is mounted at 44-3/4" (30" to 40") AFF.	
State: 1115B.3.1 #4.5	
Federal: 4.13.9	

**Fresno**

Sunset Neighborhood Center

<b>Floor 1</b>	
<b>25 - 1 Kitchen</b>	Priority:2
<b>Modify lavatory/counter clearances</b>	\$3,500
Notes: Clear space beneath the sink is 23-1/2" (29" min) high. Sink is 11-1/4" (6-1/2" max) deep. Sink countertop is 36-5/8" (34" max) AFF.	
State: 1115B.4.7 #1	
Federal: 4.24.2, 4.24.3, 4.24.4	
<b>Insulate water lines</b>	\$100
Notes: Drain pipes are not insulated.	
State: 1115B.4.7 #1	
Federal: 4.24.6	
<b>Replace or reposition dispensers or mirrors</b>	\$250
Notes: Soap dispenser is 50-1/2" (40" max)AFF.	
State: 1115B.9.2	
Federal: 4.23.7	
<b>25 - 2 Kitchen</b>	
	Priority:4
<b>Modify lavatory/counter clearances</b>	\$3,500
Notes: Clear space beneath the sink is 17-1/2" (19" min) deep. Sink is 7" (6-1/2" max) deep.	
State: 1115B.4.7 #1	
Federal: 4.24.3, 4.24.4	
<b>Insulate water lines</b>	\$100
Notes: Drain pipes are not insulated.	
State: 1115B.4.7 #1	
Federal: 4.24.6	
<b>Replace or reposition dispensers or mirrors</b>	\$300
Notes: Soap dispenser is 46" (40" max)AFF. Towel dispenser is 65" (40" max) AFF.	
State: 1115B.9.2	
Federal: 4.23.7	
<b>Replace or adjust water controls</b>	\$500
Notes: Sink faucet control requires grasping and twisting.	
State: 1115B.4.7 #1	
Federal: 4.24.7	



4-1  
3-3  
1-1

32-2  
10-4  
32-1  
34-1

34-3  
34-2  
32-3

3-2  
11-1  
3-1

Ted Willis Community Center - Exterior  
770 North San Pablo, Fresno

## Fresno

Ted C. Willis Community Center (TWC)

<b>Exterior</b>	
<b>1 - 1</b>	<b>Parking Area</b> <span style="float: right;">Priority: 1</span>
<b>Install sign</b>	<b>\$150</b>
Notes: The words 'NO PARKING' are not painted in the access aisles.	
State: 1129B.3 #1, 1129B.3 #2	
Federal: -	
<b>Provide or modify accessible spaces</b>	<b>\$250</b>
Notes: International Symbol of Accessibility signages are not provided.	
State: 1129B.4	
Federal: 4.6.4	
<b>Install sign for unauthorized parking</b>	<b>\$400</b>
Notes: Warning sign is not provided.	
State: 1129B.4, 1133B.8.6.3	
Federal: -	
<b>Regrade surface</b>	<b>\$14,400</b>
Notes: Slopes in 8 accessible parking spaces range from 2.3% to 3.5% (2% max).	
State: 1129B.3 #4	
Federal: 4.6.3	
<b>Provide or modify accessible spaces</b>	<b>\$1,250</b>
Notes: Stall length is 17' (18' min).	
State: 1129B.4 #1	
Federal: 4.6.3	
<b>Provide or modify accessible access aisles</b>	<b>\$750</b>
Notes: 5 Access aisles are not provided.	
State: 1129B.3 #1, 1129B.4 #1	
Federal: 4.6.3	
<b>3 - 1</b>	<b>Curb Ramp</b> <span style="float: right;">Priority: 1</span>
<b>Provide detectable warning strip</b>	<b>\$1,000</b>
Notes: Detectable warnings are not provided.	
State: 1127B.5 #7	
Federal: 4.7.7	

**Fresno**

Ted C. Willis Community Center (TWC)

<b>Exterior</b>	
<b>3 - 2</b>	<b>Curb Ramp</b> <span style="float: right;">Priority: 1</span>
<b>Provide detectable warning strip</b>	\$0
Notes: Detectable warnings are not provided.	
State: 1127B.5 #7	
Federal: 4.7.7	
<b>Install, replace or modify curb ramp</b>	\$2,500
Notes: Slope is 8.6% (8.33% max).	
State: 1127B.5 #3	
Federal: 4.8.2	
<b>3 - 3</b>	<b>Curb Ramp</b> <span style="float: right;">Priority: 1</span>
<b>Provide detectable warning strip</b>	\$1,000
Notes: Detectable warnings are not provided.	
State: 1127B.5 #7	
Federal: 4.7.7	
<b>4 - 1</b>	<b>Walk</b> <span style="float: right;">Priority: 1</span>
<b>Repair surface</b>	\$250
Notes: Surface level changes exceed 1-1/2" (1/4" max) due to uneven pavement.	
State: 1133B.7.4	
Federal: 4.5.2	
<b>10 - 4</b>	<b>Drinking Fountain</b> <span style="float: right;">Priority: 3</span>
<b>Replace or reposition drinking fountain</b>	\$3,500
Notes: Height is 25-1/4" (27" min). "Hi-lo" fountain is not provided.	
State: 1115B.4.6 #1, 1115B.4.6 #2	
Federal: 4.1.6, 4.15.5	
<b>Replace or adjust water controls</b>	\$500
Notes: Operating effort is 8 lbs (5 lbs max).	
State: 1115B.4.6 #4	
Federal: 4.15.4	
<b>Provide wing walls or textured floor surface</b>	\$750
Notes: Drinking fountain is not positioned in an alcove.	
State: 1115B.4.6 #3	
Federal: 4.15.5	
<b>11 - 1</b>	<b>Telephone</b> <span style="float: right;">Priority: 3</span>
<b>Increase or provide maneuvering or clear floor area</b>	\$2,500
Notes: Slope in front of the telephone is 3.4% (2% max).	
State: 1117B.2.2	
Federal: 4.31.2	

**Fresno**

Ted C. Willis Community Center (TWC)

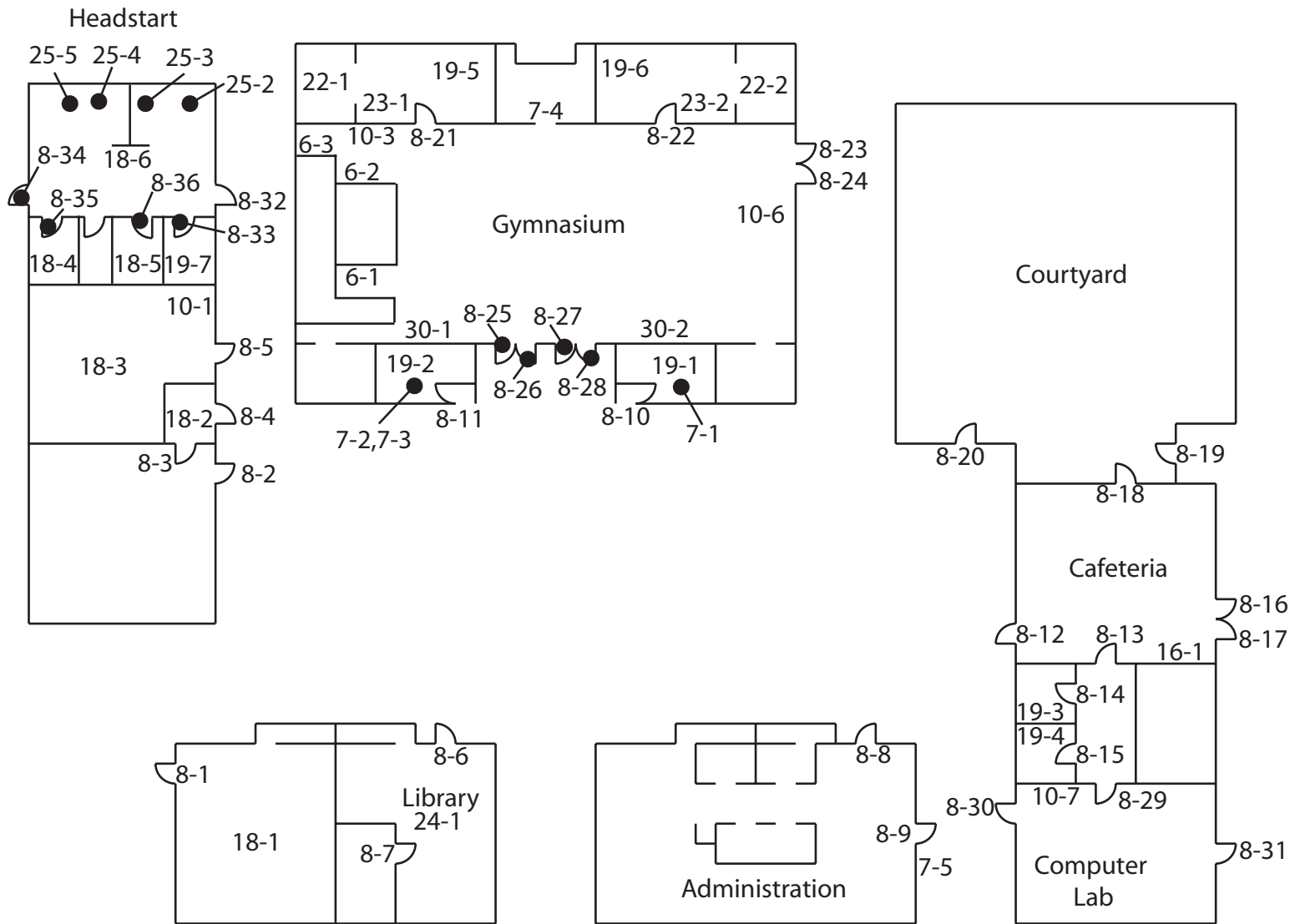
<b>Exterior</b>	
<b>32 - 1 Picnic Area</b>	Priority: C
<b>Provide an accessible table</b>	\$1,000
Notes: Knee space under the tabletop is 18-3/4" (19" min) deep. Toe clearance is not provided.	
State: -	
Federal: 306.3	
<b>Regrade surface</b>	\$1,800
Notes: Slope is 3.7% (2% max).	
State: 1133B.5.3.1	
Federal: 4.8.6	
<b>32 - 2 Picnic Area</b>	Priority: C
<b>Provide an accessible table</b>	\$1,000
Notes: Knee space under the tabletop is 18-3/4" (19" min) deep. Toe clearance is not provided.	
State: -	
Federal: 306.3	
<b>Regrade surface</b>	\$1,800
Notes: Slope is 3.7% (2% max).	
State: 1133B.5.3.1	
Federal: 4.8.6	
<b>32 - 3 Picnic Area</b>	Priority: C
<b>Provide an accessible table</b>	\$1,000
Notes: Knee space under the tabletop is 13" (19" min) deep. Knee space is 29" (30" min) wide. Toe clearance is not provided.	
State: -	
Federal: 306.3	
<b>Regrade surface</b>	\$1,800
Notes: Slope is 3.7% (2% max).	
State: 1133B.5.3.1	
Federal: 4.8.6	
<b>34 - 1 Fixed Bench</b>	Priority: 4
<b>Provide accessible fixed bench</b>	\$900
Notes: Bench does not provide back support. Armrests are not provided.	
State: -	
Federal: -	

**Fresno**

Ted C. Willis Community Center (TWC)

<b>Exterior</b>	
<b>34 - 2 Fixed Bench</b>	Priority: 4
<b>Provide accessible fixed bench</b>	\$900
Notes: Armrests are not provided. Front edge of seat height is 19-1/2" (17" to 19" max) above the finished floor.	
State: -	
Federal: -	
<b>34 - 3 Fixed Bench</b>	Priority: 4
<b>Provide accessible fixed bench</b>	\$900
Notes: Bench does not provide back support. Armrests are not provided. Front edge of seat height is 21" (17" to 19" max) above the finished floor.	
State: -	
Federal: -	
<b>Increase or provide maneuvering or clear floor area</b>	\$2,500
Notes: 30" x 48" clear floor space for companion seating is not provided at either ends of the bench pads.	
State: -	
Federal: -	





Ted Willis Community Center - First Floor  
770 North San Pablo, Fresno

**Fresno**

Ted C. Willis Community Center (TWC)

<b>Floor 1</b>	
<b>6 - 1</b>	<b>Stairway</b> <span style="float: right;">Priority:2</span>
<b>Install tread striping</b>	<b>\$30</b>
Notes: Indicator strips are not provided.	
State: 1133B.4.4	
Federal: -	
<b>Replace stairs</b>	<b>\$0</b>
Notes: Width of stair run is 36" (44" min).	
State: 1007.3, 1009.1	
Federal: -	
<b>Install or modify handrails</b>	<b>\$2,000</b>
Notes: Handrail with continuous gripping surfaces is only provided on one side. Extensions at the bottom of stair run are not provided. Handrail top surface is mounted 32-1/2" (34" to 38") above stair nosing.	
State: 1133B.4.1.1, 1133B.4.2.1, 1133B.4.2.2	
Federal: 4.9.4, 4.9.4 #2, 4.9.4 #5	
<b>Install or modify handrails</b>	<b>\$0</b>
Notes: Handrail diameter is 2" (1-1/4" to 1-1/2"). Handrails are 2-1/4" (1-1/2" max) from the wall.	
State: 1133B.4.2.5, 1133B.4.2.6	
Federal: 4.26.2, 4.9.4 #3	

**Fresno**

Ted C. Willis Community Center (TWC)

<b>Floor 1</b>	
<b>6 - 2</b>	<b>Stairway</b> <span style="float: right;">Priority:2</span>
<b>Install tread striping</b>	<b>\$30</b>
Notes: Indicator strips are not provided.	
State: 1133B.4.4	
Federal: -	
<b>Replace stairs</b>	<b>\$0</b>
Notes: Width of stair run is 36" (44" min).	
State: 1007.3, 1009.1	
Federal: -	
<b>Install or modify handrails</b>	<b>\$2,000</b>
Notes: Handrail with continuous gripping surfaces is only provided on one side. Extensions at the bottom of stair run are not provided. Handrail top surface is mounted 32-1/2" (34" to 38") above stair nosing.	
State: 1133B.4.1.1, 1133B.4.2.1, 1133B.4.2.2	
Federal: 4.9.4, 4.9.4 #2, 4.9.4 #5	
<b>Install or modify handrails</b>	<b>\$0</b>
Notes: Handrail diameter is 2" (1-1/4" to 1-1/2"). Handrails are 2-1/4" (1-1/2" max) from the wall.	
State: 1133B.4.2.5, 1133B.4.2.6	
Federal: 4.26.2, 4.9.4 #3	

**Fresno**

Ted C. Willis Community Center (TWC)

<b>Floor 1</b>		
<b>6 - 3</b>	<b>Stairway</b>	Priority:2
<b>Install tread striping</b>		\$30
Notes: Indicator strips are not provided.		
State: 1133B.4.4		
Federal: -		
<b>Replace stairs</b>		\$0
Notes: Width of stair run is 36" (44" min).		
State: 1007.3, 1009.1		
Federal: -		
<b>Install or modify handrails</b>		\$2,000
Notes: Handrail with continuous gripping surfaces is only provided on one side. Extensions at the bottom of stair run are not provided. Handrail top surface is mounted 32-1/2" (34" to 38") above stair nosing.		
State: 1133B.4.1.1, 1133B.4.2.1, 1133B.4.2.2		
Federal: 4.9.4, 4.9.4 #2, 4.9.4 #5		
<b>Install or modify handrails</b>		\$0
Notes: Handrail diameter is 2" (1-1/4" to 1-1/2"). Handrails are 2-1/4" (1-1/2" max) from the wall.		
State: 1133B.4.2.5, 1133B.4.2.6		
Federal: 4.26.2, 4.9.4 #3		
<b>7 - 1</b>	<b>Hazard</b>	Priority:2
<b>Remove overhanging or protruding objects</b>		\$100
Notes: Paper towel dispenser protrudes 10" (4" max) and is 42-1/2" (not between 27" to 80") above the finished floor.		
State: 1133B.8.6.1		
Federal: 4.4.1		
<b>7 - 2</b>	<b>Hazard</b>	Priority:2
<b>Remove overhanging or protruding objects</b>		\$100
Notes: Paper towel dispenser protrudes 10" (4" max) and is 44-1/2" (not between 27" to 80") above the finished floor.		
State: 1133B.8.6.1		
Federal: 4.4.1		
<b>7 - 3</b>	<b>Hazard</b>	Priority:2
<b>Remove overhanging or protruding objects</b>		\$100
Notes: Paper towel dispenser protrudes 10" (4" max) and is 54" (not between 27" to 80") above the finished floor.		
State: 1133B.8.6.1		
Federal: 4.4.1		

**Fresno**

Ted C. Willis Community Center (TWC)

<b>Floor 1</b>		
<b>7 - 4</b>	<b>Hazard</b>	Priority:2
<b>Remove overhanging or protruding objects</b>		\$100
Notes: Grating over thermostat protrudes 7" (4" max) and is 49-3/4" (not between 27" to 80") above the finished floor.		
State: 1133B.8.6.1		
Federal: 4.4.1		
<b>7 - 5</b>	<b>Hazard</b>	Priority:2
<b>Remove overhanging or protruding objects</b>		\$100
Notes: Mounted black box protrudes 14" (4" max) and is 39" (not between 27" to 80") above the finished floor.		
State: 1133B.8.6.1		
Federal: 4.4.1		
<b>8 - 1</b>	<b>Door/Gate</b>	Priority:4
<b>Provide sign(s) indicating accessible entries and facilities</b>		\$100
Notes: Directional signage to indicate the location of accessible entry is not provided. International Symbol of Accessibility is not provided.		
State: 1117B.5, 1117B.5.1.2, 1117B.5.8.1.2, 1127B.3		
Federal: 4.13.6, 4.3.16		
<b>Enlarge door opening</b>		\$3,500
Notes: Width of clear opening is 31" (32" min).		
State: 1133B.2.2, 1133B.2.3		
Federal: 4.13.5		
<b>Adjust door closer</b>		\$100
Notes: Operating effort is 13 lbs (5 lbs max).		
State: 1133B.2.5		
Federal: 4.13.11		
<b>Provide additional strike edge clearance</b>		\$3,000
Notes: Strike-edge clearance on push-side is 2" (12" min).		
State: 1133B.2.4.3		
Federal: 4.13.6		

**Fresno**

Ted C. Willis Community Center (TWC)

<b>Floor 1</b>		
<b>8 - 2</b>	<b>Door/Gate</b>	<b>Priority: 4</b>
<b>Provide sign(s) indicating accessible entries and facilities</b>		<b>\$100</b>
Notes: Directional signage to indicate the location of accessible entry is not provided. International Symbol of Accessibility is not provided.		
State: 1117B.5, 1117B.5.1.2, 1117B.5.8.1.2, 1127B.3		
Federal: 4.13.6, 4.3.16		
<b>Adjust door closer</b>		<b>\$100</b>
Notes: Operating effort is 6 lbs (5 lbs max).		
State: 1133B.2.5		
Federal: 4.13.11		
<b>Provide or modify door kickplate</b>		<b>\$100</b>
Notes: Doorstop is mounted on kickplate.		
State: 1133B.2.6		
Federal: -		
<b>Replace or modify door threshold</b>		<b>\$300</b>
Notes: Threshold is 1-1/2" (1/2" max) high.		
State: 1133B.2.4.1		
Federal: 4.13.8		
<b>8 - 3</b>	<b>Door/Gate</b>	<b>Priority: 4</b>
<b>Adjust door closer</b>		<b>\$100</b>
Notes: Operating effort is 7 lbs (5 lbs max).		
State: 1133B.2.5		
Federal: 4.13.11		
<b>Provide or modify door kickplate</b>		<b>\$100</b>
Notes: Kickplate is 9" (10"min) high.		
State: 1133B.2.6		
Federal: -		
<b>Provide additional strike edge clearance</b>		<b>\$3,000</b>
Notes: Strike-edge clearance on swing-side is 2" (18" min).		
State: 1133B.2.4.3		
Federal: 4.13.6		
<b>Replace or adjust door hardware</b>		<b>\$300</b>
Notes: Doorknob requires grasping and twisting.		
State: 1133B.2.5.2		
Federal: 4.13.9		

**Fresno**

Ted C. Willis Community Center (TWC)

<b>Floor 1</b>	
<b>8 - 4</b>	<b>Door/Gate</b> <span style="float: right;">Priority: 4</span>
<b>Provide or modify door kickplate</b>	<b>\$100</b>
Notes: Doorstop is mounted on kickplate.	
State: 1133B.2.6	
Federal: -	
<b>Provide additional strike edge clearance</b>	<b>\$3,000</b>
Notes: Strike-edge clearance on push-side is 6" (12" min).	
State: 1133B.2.4.3	
Federal: 4.13.6	
<b>Increase or provide maneuvering or clear floor area</b>	<b>\$2,500</b>
Notes: Level space on push-side is 42" (48" min).	
State: 1133B.2, 1133B.2.4.2, 1133B.7.5	
Federal: 4.13.6	
<b>8 - 5</b>	<b>Door/Gate</b> <span style="float: right;">Priority: 2</span>
<b>Provide sign(s) indicating accessible entries and facilities</b>	<b>\$100</b>
Notes: Directional signage to indicate the location of accessible entry is not provided. International Symbol of Accessibility is not provided.	
State: 1117B.5, 1117B.5.1.2, 1117B.5.8.1.2, 1127B.3	
Federal: 4.13.6, 4.3.16	
<b>Provide or modify door kickplate</b>	<b>\$100</b>
Notes: Doorstop is mounted on kickplate.	
State: 1133B.2.6	
Federal: -	
<b>Replace or modify door threshold</b>	<b>\$300</b>
Notes: Threshold is 1-1/2" (1/2" max) high.	
State: 1133B.2.4.1	
Federal: 4.13.8	
<b>Replace or adjust door hardware</b>	<b>\$300</b>
Notes: Thumblatch requires pinching.	
State: 1133B.2.5.2	
Federal: 4.13.9	
<b>8 - 6</b>	<b>Door/Gate</b> <span style="float: right;">Priority: 4</span>
<b>Adjust door closer</b>	<b>\$100</b>
Notes: Operating effort is 10 lbs (5 lbs max).	
State: 1133B.2.5	
Federal: 4.13.11	

**Fresno**

Ted C. Willis Community Center (TWC)

<b>Floor 1</b>		
<b>8 - 7</b>	<b>Door/Gate</b>	Priority:2
<b>Provide additional strike edge clearance</b>		\$3,000
Notes: Strike-edge clearance on swing-side is 5-1/2" (18" min).		
State: 1133B.2.4.3		
Federal: 4.13.6		
<b>8 - 8</b>	<b>Door/Gate</b>	Priority:4
<b>Provide sign(s) indicating accessible entries and facilities</b>		\$100
Notes: Directional signage to indicate the location of accessible entry is not provided. International Symbol of Accessibility is not provided.		
State: 1117B.5, 1117B.5.1.2, 1117B.5.8.1.2, 1127B.3		
Federal: 4.13.6, 4.3.16		
<b>Adjust door closer</b>		\$100
Notes: Operating effort is 7 lbs (5 lbs max).		
State: 1133B.2.5		
Federal: 4.13.11		
<b>Provide additional strike edge clearance</b>		\$3,000
Notes: Strike-edge clearance on push-side is 6" (12" min).		
State: 1133B.2.4.3		
Federal: 4.13.6		
<b>Replace or adjust door hardware</b>		\$300
Notes: Doorknob requires grasping and twisting.		
State: 1133B.2.5.2		
Federal: 4.13.9		
<b>8 - 9</b>	<b>Door/Gate</b>	Priority:4
<b>Adjust door closer</b>		\$100
Notes: Operating effort is 10 lbs (5 lbs max).		
State: 1133B.2.5		
Federal: 4.13.11		
<b>Provide or modify door kickplate</b>		\$100
Notes: Doorstop is mounted on kickplate.		
State: 1133B.2.6		
Federal: -		
<b>Replace or adjust door hardware</b>		\$300
Notes: Doorknob requires grasping and twisting.		
State: 1133B.2.5.2		
Federal: 4.13.9		



**Fresno**

Ted C. Willis Community Center (TWC)

<b>Floor 1</b>	
<b>8 - 10 Door/Gate</b>	<b>Priority:2</b>
<b>Adjust door closer</b>	<b>\$100</b>
Notes: Operating effort is 19 lbs (5 lbs max). Door closer has a sweep time of 2 seconds (3 seconds min).	
State: 1133B.2.5, 1133B.2.5.1	
Federal: 4.13.10, 4.13.11	
<b>Provide or modify door kickplate</b>	<b>\$100</b>
Notes: Doorstop is mounted on kickplate.	
State: 1133B.2.6	
Federal: -	
<b>Increase or provide maneuvering or clear floor area</b>	<b>\$2,500</b>
Notes: Level space on swing-side is 44" (60" min).	
State: 1133B.2, 1133B.2.4.2, 1133B.7.5	
Federal: 4.13.6	
<b>8 - 11 Door/Gate</b>	<b>Priority:2</b>
<b>Adjust door closer</b>	<b>\$100</b>
Notes: Operating effort is 13 lbs (5 lbs max). Door closer has a sweep time of 2 seconds (3 seconds min).	
State: 1133B.2.5, 1133B.2.5.1	
Federal: 4.13.10, 4.13.11	
<b>Provide or modify door kickplate</b>	<b>\$100</b>
Notes: Doorstop is mounted on kickplate.	
State: 1133B.2.6	
Federal: -	
<b>Increase or provide maneuvering or clear floor area</b>	<b>\$2,500</b>
Notes: Level space on swing-side is 44" (60" min).	
State: 1133B.2, 1133B.2.4.2, 1133B.7.5	
Federal: 4.13.6	
<b>Increase or provide maneuvering or clear floor area</b>	<b>\$2,500</b>
Notes: Level space on push-side is 46-1/2" (48" min).	
State: 1133B.2, 1133B.2.4.2, 1133B.7.5	
Federal: 4.13.6	

**Fresno**

Ted C. Willis Community Center (TWC)

<b>Floor 1</b>	
<b>8 - 12 Door/Gate</b>	<b>Priority:2</b>
<b>Provide sign(s) indicating accessible entries and facilities</b>	<b>\$100</b>
Notes: Directional signage to indicate the location of accessible entry is not provided. International Symbol of Accessibility is not provided.	
State: 1117B.5, 1117B.5.1.2, 1117B.5.8.1.2, 1127B.3	
Federal: 4.13.6, 4.3.16	
<b>Enlarge door opening</b>	<b>\$3,500</b>
Notes: Width of clear opening is 29" (32" min).	
State: 1133B.2.2, 1133B.2.3	
Federal: 4.13.5	
<b>Adjust door closer</b>	<b>\$100</b>
Notes: Operating effort is 7 lbs (5 lbs max).	
State: 1133B.2.5	
Federal: 4.13.11	
<b>Provide or modify door kickplate</b>	<b>\$100</b>
Notes: Doorstop is mounted on kickplate.	
State: 1133B.2.6	
Federal: -	
<b>Install or modify permanent room signs</b>	<b>\$250</b>
Notes: Braille is not provided.	
State: -	
Federal: 1117B.5.7, 4.30.6	
<b>Replace or reposition dispensers or mirrors</b>	<b>\$250</b>
Notes: Clothing hook is 66-1/2" (48" max) above the finished floor.	
State: 1117B.8	
Federal: -	

**Fresno**

Ted C. Willis Community Center (TWC)

<b>Floor 1</b>	
<b>8 - 13 Door/Gate</b>	Priority:2
<b>Adjust door closer</b>	\$100
Notes: Operating effort is 8 lbs (5 lbs max).	
State: 1133B.2.5	
Federal: 4.13.11	
<b>Provide additional strike edge clearance</b>	\$3,000
Notes: Strike-edge clearance on push-side is 7" (12" min).	
State: 1133B.2.4.3	
Federal: 4.13.6	
<b>Replace or adjust door hardware</b>	\$300
Notes: Doorknob requires grasping and twisting.	
State: 1133B.2.5.2	
Federal: 4.13.9	
<b>8 - 14 Door/Gate</b>	Priority:2
<b>Adjust door closer</b>	\$100
Notes: Operating effort is 7 lbs (5 lbs max).	
State: 1133B.2.5	
Federal: 4.13.11	
<b>8 - 15 Door/Gate</b>	Priority:2
<b>Adjust door closer</b>	\$100
Notes: Operating effort is 7 lbs (5 lbs max).	
State: 1133B.2.5	
Federal: 4.13.11	

**Fresno**

Ted C. Willis Community Center (TWC)

<b>Floor 1</b>	
<b>8 - 16</b>	<b>Door/Gate</b> <span style="float: right;">Priority:2</span>
<b>Enlarge door opening</b>	<b>\$3,500</b>
Notes: Width of clear opening is 29" (32" min).	
State: 1133B.2.2, 1133B.2.3	
Federal: 4.13.5	
<b>Adjust door closer</b>	<b>\$100</b>
Notes: Operating effort is 11 lbs (5 lbs max).	
State: 1133B.2.5	
Federal: 4.13.11	
<b>Provide or modify door kickplate</b>	<b>\$100</b>
Notes: Doorstop is mounted on kickplate.	
State: 1133B.2.6	
Federal: -	
<b>Install or modify permanent room signs</b>	<b>\$250</b>
Notes: Braille is not provided.	
State: -	
Federal: 1117B.5.7, 4.30.6	
<b>8 - 17</b>	<b>Door/Gate</b> <span style="float: right;">Priority:2</span>
<b>Enlarge door opening</b>	<b>\$3,500</b>
Notes: Width of clear opening is 29" (32" min).	
State: 1133B.2.2, 1133B.2.3	
Federal: 4.13.5	
<b>Adjust door closer</b>	<b>\$100</b>
Notes: Operating effort is 11 lbs (5 lbs max).	
State: 1133B.2.5	
Federal: 4.13.11	
<b>Provide or modify door kickplate</b>	<b>\$100</b>
Notes: Doorstop is mounted on kickplate.	
State: 1133B.2.6	
Federal: -	
<b>Install or modify permanent room signs</b>	<b>\$250</b>
Notes: Braille is not provided.	
State: -	
Federal: 1117B.5.7, 4.30.6	

**Fresno**

Ted C. Willis Community Center (TWC)

<b>Floor 1</b>	
<b>8 - 18</b>	<b>Door/Gate</b> <span style="float: right;">Priority:2</span>
<b>Enlarge door opening</b>	<b>\$3,500</b>
Notes: Width of clear opening is 28" (32" min).	
State: 1133B.2.2, 1133B.2.3	
Federal: 4.13.5	
<b>Adjust door closer</b>	<b>\$100</b>
Notes: Operating effort is 11 lbs (5 lbs max).	
State: 1133B.2.5	
Federal: 4.13.11	
<b>Install or modify permanent room signs</b>	<b>\$250</b>
Notes: Braille is not provided.	
State: -	
Federal: 1117B.5.7, 4.30.6	
<b>8 - 19</b>	<b>Door/Gate</b> <span style="float: right;">Priority:2</span>
<b>Provide or modify door kickplate</b>	<b>\$100</b>
Notes: Kickplate is not provided. Door is a fenced gate.	
State: 1133B.2.6	
Federal: -	
<b>Replace or adjust door hardware</b>	<b>\$300</b>
Notes: Doorknob requires grasping and twisting.	
State: 1133B.2.5.2	
Federal: 4.13.9	
<b>8 - 20</b>	<b>Door/Gate</b> <span style="float: right;">Priority:2</span>
<b>Provide or modify door kickplate</b>	<b>\$100</b>
Notes: Kickplate is not provided. Door is a fenced gate.	
State: 1133B.2.6	
Federal: -	
<b>Replace or adjust door hardware</b>	<b>\$300</b>
Notes: Doorknob requires grasping and twisting.	
State: 1133B.2.5.2	
Federal: 4.13.9	

**Fresno**

Ted C. Willis Community Center (TWC)

<b>Floor 1</b>	
<b>8 - 21 Door/Gate</b>	Priority:2
<b>Adjust door closer</b>	\$100
Notes: Operating effort is 15 lbs (5 lbs max).	
State: 1133B.2.5	
Federal: 4.13.11	
<b>Provide or modify door kickplate</b>	\$100
Notes: Doorstop is mounted on kickplate.	
State: 1133B.2.6	
Federal: -	
<b>Increase or provide maneuvering or clear floor area</b>	\$2,500
Notes: Level space on swing-side is 44" (60" min).	
State: 1133B.2, 1133B.2.4.2, 1133B.7.5	
Federal: 4.13.6	
<b>8 - 22 Door/Gate</b>	Priority:2
<b>Adjust door closer</b>	\$100
Notes: Operating effort is 13 lbs (5 lbs max).	
State: 1133B.2.5	
Federal: 4.13.11	
<b>Provide or modify door kickplate</b>	\$100
Notes: Doorstop is mounted on kickplate.	
State: 1133B.2.6	
Federal: -	
<b>Increase or provide maneuvering or clear floor area</b>	\$2,500
Notes: Level space on swing-side is 44-1/2" (60" min).	
State: 1133B.2, 1133B.2.4.2, 1133B.7.5	
Federal: 4.13.6	

**Fresno**

Ted C. Willis Community Center (TWC)

<b>Floor 1</b>	
<b>8 - 23 Door/Gate</b>	<b>Priority:2</b>
<b>Enlarge door opening</b>	<b>\$3,500</b>
Notes: Width of clear opening is 29" (32" min).	
State: 1133B.2.2, 1133B.2.3	
Federal: 4.13.5	
<b>Adjust door closer</b>	<b>\$100</b>
Notes: Operating effort is 10 lbs (5 lbs max).	
State: 1133B.2.5	
Federal: 4.13.11	
<b>Provide or modify door kickplate</b>	<b>\$100</b>
Notes: Doorstop is mounted on kickplate.	
State: 1133B.2.6	
Federal: -	
<b>8 - 24 Door/Gate</b>	<b>Priority:2</b>
<b>Enlarge door opening</b>	<b>\$3,500</b>
Notes: Width of clear opening is 29" (32" min).	
State: 1133B.2.2, 1133B.2.3	
Federal: 4.13.5	
<b>Adjust door closer</b>	<b>\$100</b>
Notes: Operating effort is 10 lbs (5 lbs max).	
State: 1133B.2.5	
Federal: 4.13.11	
<b>Provide or modify door kickplate</b>	<b>\$100</b>
Notes: Doorstop is mounted on kickplate.	
State: 1133B.2.6	
Federal: -	

**Fresno**

Ted C. Willis Community Center (TWC)

<b>Floor 1</b>	
<b>8 - 25 Door/Gate</b>	<b>Priority:2</b>
<b>Enlarge door opening</b>	<b>\$3,500</b>
Notes: Width of clear opening is 29" (32" min).	
State: 1133B.2.2, 1133B.2.3	
Federal: 4.13.5	
<b>Adjust door closer</b>	<b>\$100</b>
Notes: Operating effort is 9 lbs (5 lbs max).	
State: 1133B.2.5	
Federal: 4.13.11	
<b>Provide or modify door kickplate</b>	<b>\$100</b>
Notes: Doorstop is mounted on kickplate.	
State: 1133B.2.6	
Federal: -	
<b>Install or modify permanent room signs</b>	<b>\$250</b>
Notes: Braille is not provided.	
State: -	
Federal: 1117B.5.7, 4.30.6	
<b>8 - 26 Door/Gate</b>	<b>Priority:2</b>
<b>Enlarge door opening</b>	<b>\$3,500</b>
Notes: Width of clear opening is 29" (32" min).	
State: 1133B.2.2, 1133B.2.3	
Federal: 4.13.5	
<b>Adjust door closer</b>	<b>\$100</b>
Notes: Operating effort is 9 lbs (5 lbs max).	
State: 1133B.2.5	
Federal: 4.13.11	
<b>Provide or modify door kickplate</b>	<b>\$100</b>
Notes: Doorstop is mounted on kickplate.	
State: 1133B.2.6	
Federal: -	
<b>Install or modify permanent room signs</b>	<b>\$250</b>
Notes: Braille is not provided.	
State: -	
Federal: 1117B.5.7, 4.30.6	



**Fresno**

Ted C. Willis Community Center (TWC)

<b>Floor 1</b>	
<b>8 - 27 Door/Gate</b>	<b>Priority:2</b>
<b>Enlarge door opening</b>	<b>\$3,500</b>
Notes: Width of clear opening is 29" (32" min).	
State: 1133B.2.2, 1133B.2.3	
Federal: 4.13.5	
<b>Adjust door closer</b>	<b>\$100</b>
Notes: Operating effort is 9 lbs (5 lbs max).	
State: 1133B.2.5	
Federal: 4.13.11	
<b>Provide or modify door kickplate</b>	<b>\$100</b>
Notes: Doorstop is mounted on kickplate.	
State: 1133B.2.6	
Federal: -	
<b>Install or modify permanent room signs</b>	<b>\$250</b>
Notes: Braille is not provided.	
State: -	
Federal: 1117B.5.7, 4.30.6	
<b>8 - 28 Door/Gate</b>	<b>Priority:2</b>
<b>Enlarge door opening</b>	<b>\$3,500</b>
Notes: Width of clear opening is 29" (32" min).	
State: 1133B.2.2, 1133B.2.3	
Federal: 4.13.5	
<b>Adjust door closer</b>	<b>\$100</b>
Notes: Operating effort is 9 lbs (5 lbs max).	
State: 1133B.2.5	
Federal: 4.13.11	
<b>Provide or modify door kickplate</b>	<b>\$100</b>
Notes: Doorstop is mounted on kickplate.	
State: 1133B.2.6	
Federal: -	
<b>Install or modify permanent room signs</b>	<b>\$250</b>
Notes: Braille is not provided.	
State: -	
Federal: 1117B.5.7, 4.30.6	

**Fresno**

Ted C. Willis Community Center (TWC)

<b>Floor 1</b>	
<b>8 - 29</b>	<b>Door/Gate</b> <span style="float: right;">Priority:2</span>
<b>Adjust door closer</b>	<b>\$100</b>
Notes: Operating effort is 7 lbs (5 lbs max).	
State: 1133B.2.5	
Federal: 4.13.11	
<b>Increase or provide maneuvering or clear floor area</b>	<b>\$2,500</b>
Notes: Level space on swing-side is 48" (60" min).	
State: 1133B.2, 1133B.2.4.2, 1133B.7.5	
Federal: 4.13.6	
<b>Replace or adjust door hardware</b>	<b>\$300</b>
Notes: Doorknob requires grasping and twisting.	
State: 1133B.2.5.2	
Federal: 4.13.9	
<b>8 - 30</b>	<b>Door/Gate</b> <span style="float: right;">Priority:2</span>
<b>Provide sign(s) indicating accessible entries and facilities</b>	<b>\$100</b>
Notes: Directional signage to indicate the location of accessible entry is not provided. International Symbol of Accessibility is not provided.	
State: 1117B.5, 1117B.5.1.2, 1117B.5.8.1.2, 1127B.3	
Federal: 4.13.6, 4.3.16	
<b>Enlarge door opening</b>	<b>\$3,500</b>
Notes: Width of clear opening is 28-1/2" (32" min).	
State: 1133B.2.2, 1133B.2.3	
Federal: 4.13.5	
<b>Adjust door closer</b>	<b>\$100</b>
Notes: Operating effort is 9 lbs (5 lbs max).	
State: 1133B.2.5	
Federal: 4.13.11	
<b>Provide or modify door kickplate</b>	<b>\$100</b>
Notes: Doorstop is mounted on kickplate.	
State: 1133B.2.6	
Federal: -	
<b>Install or modify permanent room signs</b>	<b>\$250</b>
Notes: Braille is not provided.	
State: -	
Federal: 1117B.5.7, 4.30.6	

**Fresno**

Ted C. Willis Community Center (TWC)

<b>Floor 1</b>	
<b>8 - 31 Door/Gate</b>	Priority:2
<b>Enlarge door opening</b>	\$3,500
Notes: Width of clear opening is 28" (32" min).	
State: 1133B.2.2, 1133B.2.3	
Federal: 4.13.5	
<b>Adjust door closer</b>	\$100
Notes: Operating effort is 13 lbs (5 lbs max).	
State: 1133B.2.5	
Federal: 4.13.11	
<b>Install or modify permanent room signs</b>	\$250
Notes: Braille is not provided.	
State: -	
Federal: 1117B.5.7, 4.30.6	
<b>8 - 32 Door/Gate</b>	Priority:4
<b>Replace or adjust door hardware</b>	\$300
Notes: Doorknob requires grasping and twisting.	
State: 1133B.2.5.2	
Federal: 4.13.9	
<b>Adjust door closer</b>	\$100
Notes: Operating effort is 11 lbs (5 lbs max).	
State: 1133B.2.5	
Federal: 4.13.11	
<b>Provide or modify door kickplate</b>	\$100
Notes: Doorstop is mounted on kickplate.	
State: 1133B.2.6	
Federal: -	
<b>Provide additional strike edge clearance</b>	\$75
Notes: Strike-edge clearance on push-side is 4" (12" min). Bookshelf obstructs strike-edge clearance. Relocate bookshelf.	
State: 1133B.2.4.3	
Federal: 4.13.6	
<b>Install or modify permanent room signs</b>	\$250
Notes: Braille is not provided.	
State: -	
Federal: 1117B.5.7, 4.30.6	

**Fresno**

Ted C. Willis Community Center (TWC)

<b>Floor 1</b>	
<b>8 - 33 Door/Gate</b>	Priority: 4
<b>Enlarge door opening</b>	\$3,500
Notes: Height of clear opening is 78-3/4" (80" min).	
State: 1008.11, 1133B.2.2	
Federal: 4.4.2	
<b>8 - 34 Door/Gate</b>	Priority: 4
<b>Replace or adjust door hardware</b>	\$300
Notes: Doorknob requires grasping and twisting.	
State: 1133B.2.5.2	
Federal: 4.13.9	
<b>Adjust door closer</b>	\$100
Notes: Operating effort is 10 lbs (5 lbs max).	
State: 1133B.2.5	
Federal: 4.13.11	
<b>Install or modify permanent room signs</b>	\$250
Notes: Braille is not provided.	
State: -	
Federal: 1117B.5.7, 4.30.6	
<b>8 - 35 Door/Gate</b>	Priority: 4
<b>Replace or adjust door hardware</b>	\$300
Notes: Doorknob requires grasping and twisting.	
State: 1133B.2.5.2	
Federal: 4.13.9	
<b>Provide additional strike edge clearance</b>	\$3,000
Notes: Strike-edge clearance on push-side is 3" (12" min).	
State: 1133B.2.4.3	
Federal: 4.13.6	
<b>Enlarge door opening</b>	\$3,500
Notes: Height of clear opening is 79-1/4" (80" min).	
State: 1008.11, 1133B.2.2	
Federal: 4.4.2	

**Fresno**

Ted C. Willis Community Center (TWC)

<b>Floor 1</b>	
<b>8 - 36 Door/Gate</b>	Priority: 4
<b>Replace or adjust door hardware</b>	\$300
Notes: Doorknob requires grasping and twisting.	
State: 1133B.2.5.2	
Federal: 4.13.9	
<b>Provide or modify door kickplate</b>	\$100
Notes: Kickplate is 8" high (10" min).	
State: 1133B.2.6	
Federal: -	
<b>Provide additional strike edge clearance</b>	\$75
Notes: Strike-edge clearance on push-side is 7" (12" min). Desk obstructs strike-edge clearance. Relocate desk.	
State: 1133B.2.4.3	
Federal: 4.13.6	
<b>10 - 1 Drinking Fountain</b>	Priority: 3
<b>Replace or reposition drinking fountain</b>	\$3,500
Notes: "Hi-lo" fountain is not provided. Bubbler height is 44" (36" max).	
State: 1115B.4.6 #1, 1115B.4.6 #4	
Federal: 4.1.6, 4.15.2	
<b>Replace or adjust water controls</b>	\$500
Notes: Control requires grasping and twisting.	
State: 1115B.4.6 #4	
Federal: 4.15.4	
<b>10 - 3 Drinking Fountain</b>	Priority: 3
<b>Replace or reposition drinking fountain</b>	\$3,500
Notes: "Hi-lo" fountain is not provided. Bubbler height is 38" (36" max).	
State: 1115B.4.6 #1, 1115B.4.6 #4	
Federal: 4.1.6, 4.15.2	

**Fresno**

Ted C. Willis Community Center (TWC)

<b>Floor 1</b>	
<b>10 - 6 Drinking Fountain</b>	Priority: 4
<b>Replace or reposition drinking fountain</b>	\$3,500
Notes: Height is 26-1/4" (27"min). "Hi-lo" fountain is not provided.	
State: 1115B.4.6 #1, 1115B.4.6 #2	
Federal: 4.1.6, 4.15.5	
<b>Replace or adjust water controls</b>	\$500
Notes: Operating effort is 8 lbs (5 lbs max).	
State: 1115B.4.6 #4	
Federal: 4.15.4	
<b>Adjust water stream</b>	\$100
Notes: Bubbler directs water flow in a stream that is 2" (4"min) high.	
State: 1115B.4.6 #5	
Federal: 4.15.3	
<b>10 - 7 Drinking Fountain</b>	Priority: 3
<b>Replace or reposition drinking fountain</b>	\$3,500
Notes: Bubbler height is 37-1/2" (36" max). "Hi-lo" fountain is not provided.	
State: 1115B.4.6 #1, 1115B.4.6 #4	
Federal: 4.1.6, 4.15.2	
<b>16 - 1 Transaction Counter</b>	Priority: 2
<b>Provide an accessible counter</b>	\$4,000
Notes: Transaction counter is 36-1/2" (28" to 34" max) above the finished floor.	
State: 1122B.5	
Federal: 4.32.4	
<b>18 - 1 Room</b>	Priority: 4
<b>Adjust shelving, storage, or work space</b>	\$1,000
Notes: Knee space is 16" (19" min) deep.	
State: 1122B.3	
Federal: 4.32.3	
<b>18 - 2 Room</b>	Priority: 4
<b>Adjust shelving, storage, or work space</b>	\$1,000
Notes: Knee space is 16-1/2" (19" min) deep.	
State: 1122B.3	
Federal: 4.32.3	

**Fresno**

Ted C. Willis Community Center (TWC)

<b>Floor 1</b>	
<b>18 - 3 Room</b>	Priority: 4
<b>Reposition controls and outlets</b>	\$250
Notes: Light switch is 62" (36" to 48" ) above the finished floor.	
State: 1117B.6 #5.5.2	
Federal: 4.27.3	
<b>Reposition controls and outlets</b>	\$250
Notes: Electrical outlet is 12" (15" min) above the finished floor.	
State: 117B.6 #5.5.2	
Federal: 4.27.3	
<b>18 - 4 Room</b>	Priority: 4
<b>Reposition controls and outlets</b>	\$250
Notes: Light switch is 54" (36" to 48" ) above the finished floor.	
State: 1117B.6 #5.5.2	
Federal: 4.27.3	
<b>18 - 5 Room</b>	Priority: 4
<b>Reposition controls and outlets</b>	\$250
Notes: Light switch is 54" (36" to 48" ) above the finished floor.	
State: 1117B.6 #5.5.2	
Federal: 4.27.3	
<b>18 - 6 Room</b>	Priority: 4
<b>Reposition controls and outlets</b>	\$250
Notes: Fire alarm activation device is mounted 63" (48" req) above the finished floor.	
State: 907.3.2	
Federal: -	

**Fresno**

Ted C. Willis Community Center (TWC)

<b>Floor 1</b>	
<b>19 - 1 Multiple User Restroom</b>	<b>Priority:2</b>
<b>Install sign</b>	<b>\$250</b>
Notes: California required signage is not provided on the door. International Symbol of Accessibility is not provided.	
State: 1115B.6, 1117B.5.1 #1, 1117B.5.5 #3, 1117B.5.8.1.2	
Federal: 4.30.4	
<b>Install sign</b>	<b>\$250</b>
Notes: Federal required signage is not provided on the latch side of the door.	
State: 1115B.6, 1117B.5.1 #1	
Federal: 4.30.4	
<b>Replace or reposition dispensers or mirrors</b>	<b>\$200</b>
Notes: Mirror is mounted so bottom of reflecting surface is 44" (40" max) above the finished floor.	
State: 1115B.8.1	
Federal: 4.19.6	
<b>Replace or reposition dispensers or mirrors</b>	<b>\$500</b>
Notes: Towel dispenser is 44" (40" max) and soap dispenser is 42" (40" max) above the finished floor.	
State: 1115B.8.3	
Federal: 4.23.7	
<b>Modify lavatory/counter clearances</b>	<b>\$1,500</b>
Notes: Clear space beneath the lavatory sink is 28-3/4" (29" min) high.	
State: 1115B.4.3 #2	
Federal: 4.19.2	
<b>Replace or adjust water controls</b>	<b>\$500</b>
Notes: Control requires grasping and twisting.	
State: 1115B.8.3	
Federal: 4.19.5, 4.27.4	
<b>Insulate water lines</b>	<b>\$100</b>
Notes: Hot water and drain pipes are not insulated.	
State: 1115B.4.3 #4	
Federal: 4.19.4	
<b>Provide or replace stall door hardware</b>	<b>\$100</b>
Notes: Stall door does not have U-shaped handle on the back. Stall door is not self-closing.	
State: 1115B.3.1 #4.5	
Federal: 4.13.9	



**Fresno**

Ted C. Willis Community Center (TWC)

<b>Floor 1</b>	
<b>19 - 1 Multiple User Restroom</b>	<b>Priority:2</b>
<b>Modify stall partitions and doors</b>	<b>\$800</b>
Notes: Door width is 33" (34" min) for side-entry stall.	
State: 1115B.3.1 #4.4	
Federal: -	
<b>Modify stall partitions and doors</b>	<b>\$500</b>
Notes: Clear space from the side of the toilet to the fixture is 20-1/2" (32" min).	
State: 1115B.4.1 #1	
Federal: 4.17.3	
<b>Modify stall partitions and doors</b>	<b>\$500</b>
Notes: Stall width is 45" (60" min).	
State: -	
Federal: 4.17.3	
<b>Replace toilet or adjust toilet seat height</b>	<b>\$200</b>
Notes: Toilet seat height is 16" (17" to 19" max).	
State: 1115B.4.1 #4	
Federal: 4.16.3	
<b>Replace or reposition dispensers or mirrors</b>	<b>\$100</b>
Notes: Seat cover dispenser is 56" (40" max) above the finished floor.	
State: 1115B.8.3	
Federal: 4.23.7	
<b>Replace or modify grab bars</b>	<b>\$700</b>
Notes: Rear grab bar is 32" (36" min) long. Side grab bar is positioned so the front end is located 48" (54" min) from the back wall.	
State: 1115B.4.1 #3.1, 1115B.4.1 #3.2	
Federal: 4.17.6	

**Fresno**

Ted C. Willis Community Center (TWC)

<b>Floor 1</b>	
<b>19 - 2 Multiple User Restroom</b>	<b>Priority:2</b>
<b>Install sign</b>	<b>\$250</b>
Notes: California required signage is not provided on the door. International Symbol of Accessibility is not provided.	
State: 1115B.6, 1117B.5.1 #1, 1117B.5.5 #3, 1117B.5.8.1.2	
Federal: 4.30.4	
<b>Install sign</b>	<b>\$250</b>
Notes: Federal required signage is not provided on the latch side of the door.	
State: 1115B.6, 1117B.5.1 #1	
Federal: 4.30.4	
<b>Replace or reposition dispensers or mirrors</b>	<b>\$500</b>
Notes: Towel dispenser is 46" (40" max) and soap dispenser is 43" (40" max) above the finished floor.	
State: 1115B.8.3	
Federal: 4.23.7	
<b>Replace or adjust water controls</b>	<b>\$500</b>
Notes: Control requires grasping and twisting.	
State: 1115B.8.3	
Federal: 4.19.5, 4.27.4	
<b>Insulate water lines</b>	<b>\$100</b>
Notes: Hot water and drain pipes are not insulated.	
State: 1115B.4.3 #4	
Federal: 4.19.4	
<b>Provide or replace stall door hardware</b>	<b>\$100</b>
Notes: Stall door does not have U-shaped handle on the back.	
State: 1115B.3.1 #4.5	
Federal: 4.13.9	
<b>Modify stall partitions and doors</b>	<b>\$800</b>
Notes: Door width is 33-1/2" (34" min) for side-entry stall.	
State: 1115B.3.1 #4.4	
Federal: -	
<b>Modify stall partitions and doors</b>	<b>\$500</b>
Notes: Clear space from the side of the toilet to the fixture is 20-1/2" (32" min).	
State: 1115B.4.1 #1	
Federal: 4.17.3	

**Fresno**

Ted C. Willis Community Center (TWC)

<b>Floor 1</b>	
<b>19 - 2 Multiple User Restroom</b>	Priority:2
<b>Modify stall partitions and doors</b>	\$500
Notes: Stall width is 46" (60" min).	
State: -	
Federal: 4.17.3	
<b>Replace toilet or adjust toilet seat height</b>	\$200
Notes: Toilet seat height is 15-1/2" (17" to 19" max).	
State: 1115B.4.1 #4	
Federal: 4.16.3	
<b>Replace or modify grab bars</b>	\$700
Notes: Rear grab bar is 32" (36" min) long. Side grab bar is positioned so the front end is located 48" (54" min) from the back wall.	
State: 1115B.4.1 #3.1, 1115B.4.1 #3.2	
Federal: 4.17.6	
<b>Replace or reposition urinal</b>	\$3,500
Notes: Flush control is 55-1/2" (44" max) above the finished floor. Urinal is 25" (17" max) above the finished floor.	
State: 1115B.4.2 #1, 1115B.4.2 #2	
Federal: 4.18.2	
<b>Replace or reposition urinal</b>	\$100
Notes: Urinal shield is 28-1/2" (30" min) apart.	
State: -	
Federal: 4.18.3	
<b>19 - 3 Multiple User Restroom</b>	Priority:2
<b>Install sign</b>	\$250
Notes: Federal required signage is not provided on the latch side of the door. International Symbol of Accessibility is not provided.	
State: 1115B.6, 1117B.5.1 #1, 1117B.5.5 #3, 1117B.5.8.1.2	
Federal: 4.30.4	
<b>Provide or replace stall door hardware</b>	\$100
Notes: Stall door does not have U-shaped handle on the front.	
State: 1115B.3.1 #4.5	
Federal: 4.13.9	
<b>Replace or reposition fixtures</b>	\$1,000
Notes: Clear space from the wall to the centerline of the toilet is 19-1/2" (18" req).	
State: 1115B.7.1.3	
Federal: 4.17.3	

**Fresno**

Ted C. Willis Community Center (TWC)

<b>Floor 1</b>	
<b>19 - 4 Multiple User Restroom</b>	<b>Priority:2</b>
<b>Install sign</b>	<b>\$250</b>
Notes: Federal required signage is not provided on the latch side of the door. International Symbol of Accessibility is not provided.	
State: 1115B.6, 1117B.5.1 #1, 1117B.5.5 #3, 1117B.5.8.1.2	
Federal: 4.30.4	
<b>Provide or replace stall door hardware</b>	<b>\$100</b>
Notes: Stall door does not have U-shaped handle on the front.	
State: 1115B.3.1 #4.5	
Federal: 4.13.9	
<b>Replace or reposition fixtures</b>	<b>\$1,000</b>
Notes: Clear space from the wall to the centerline of the toilet is 20" (18" req).	
State: 1115B.7.1.3	
Federal: 4.17.3	
<b>Increase or provide maneuvering or clear floor area</b>	<b>\$2,500</b>
Notes: Turning area is 58" (60" min) in diameter.	
State: 1115B.3.1 #1	
Federal: 4.23.3	
<b>Modify lavatory/counter clearances</b>	<b>\$1,500</b>
Notes: Height of the counter is 34-1/2" (34" max) above the finished floor.	
State: 1115B.4.3 #2	
Federal: 4.19.2	

**Fresno**

Ted C. Willis Community Center (TWC)

<b>Floor 1</b>	
<b>19 - 5 Multiple User Restroom</b>	<b>Priority:2</b>
<b>Install sign</b>	<b>\$250</b>
Notes: California required signage is not provided on the door. International Symbol of Accessibility is not provided.	
State: 1115B.6, 1117B.5.1 #1, 1117B.5.5 #3, 1117B.5.8.1.2	
Federal: 4.30.4	
<b>Install sign</b>	<b>\$250</b>
Notes: Federal required signage is not provided on the latch side of the door.	
State: 1115B.6, 1117B.5.1 #1	
Federal: 4.30.4	
<b>Replace or reposition dispensers or mirrors</b>	<b>\$500</b>
Notes: Towel dispenser is 59" (40" max) and soap dispenser is 41" (40" max) above the finished floor.	
State: 1115B.8.3	
Federal: 4.23.7	
<b>Replace or adjust water controls</b>	<b>\$500</b>
Notes: Control requires grasping and twisting.	
State: 1115B.8.3	
Federal: 4.19.5, 4.27.4	
<b>Insulate water lines</b>	<b>\$100</b>
Notes: Hot water and drain pipes are not insulated.	
State: 1115B.4.3 #4	
Federal: 4.19.4	
<b>Provide or replace stall door hardware</b>	<b>\$100</b>
Notes: Stall door does not have U-shaped handle on the back.	
State: 1115B.3.1 #4.5	
Federal: 4.13.9	
<b>Modify stall partitions and doors</b>	<b>\$500</b>
Notes: Stall width is 46" (60" min).	
State: -	
Federal: 4.17.3	
<b>Replace or modify grab bars</b>	<b>\$700</b>
Notes: Rear grab bar is 32" (36" min) long. Side grab bar is 20" (24" min) in front of the toilet. Side grab bar is positioned so the front end is located 48" (54" min) from the back wall.	
State: 1115B.4.1 #3.1, 1115B.4.1 #3.2	
Federal: 4.17.6	

**Fresno**

Ted C. Willis Community Center (TWC)

<b>Floor 1</b>	
<b>19 - 5 Multiple User Restroom</b>	Priority:2
<b>Modify lavatory/counter clearances</b>	\$1,500
Notes: Clear space beneath the lavatory sink is 28-3/4" (29" min) high.	
State: 1115B.4.3 #2	
Federal: 4.19.2	

**Fresno**

Ted C. Willis Community Center (TWC)

<b>Floor 1</b>	
<b>19 - 6 Multiple User Restroom</b>	<b>Priority:2</b>
<b>Install sign</b>	<b>\$250</b>
Notes: California required signage is not provided on the door. International Symbol of Accessibility is not provided.	
State: 1115B.6, 1117B.5.1 #1, 1117B.5.5 #3, 1117B.5.8.1.2	
Federal: 4.30.4	
<b>Install sign</b>	<b>\$250</b>
Notes: Federal required signage is not provided on the latch side of the door.	
State: 1115B.6, 1117B.5.1 #1	
Federal: 4.30.4	
<b>Replace or reposition dispensers or mirrors</b>	<b>\$500</b>
Notes: Towel dispenser is 59-1/2" (40" max) and soap dispenser is 41" (40" max) above the finished floor.	
State: 1115B.8.3	
Federal: 4.23.7	
<b>Insulate water lines</b>	<b>\$100</b>
Notes: Hot water and drain pipes are not insulated.	
State: 1115B.4.3 #4	
Federal: 4.19.4	
<b>Provide or replace stall door hardware</b>	<b>\$100</b>
Notes: Stall door does not have U-shaped handle on the back. Stall door is not self-closing.	
State: 1115B.3.1 #4.5	
Federal: 4.13.9	
<b>Modify stall partitions and doors</b>	<b>\$500</b>
Notes: Stall width is 46" (60" min).	
State: -	
Federal: 4.17.3	
<b>Replace or modify grab bars</b>	<b>\$700</b>
Notes: Rear grab bar is 32" (36" min) long. Side grab bar is 20" (24" min) in front of the toilet. Side grab bar is positioned so the front end is located 48" (54" min) from the back wall.	
State: 1115B.4.1 #3.1, 1115B.4.1 #3.2	
Federal: 4.17.6	
<b>Replace or adjust water controls</b>	<b>\$500</b>
Notes: Control requires grasping and twisting.	
State: 1115B.8.3	
Federal: 4.19.5, 4.27.4	

**Fresno**

Ted C. Willis Community Center (TWC)

<b>Floor 1</b>	
<b>19 - 6 Multiple User Restroom</b>	<b>Priority:2</b>
<b>Replace or reposition urinal</b>	<b>\$3,500</b>
Notes: Urinal is 24-1/2" (17" max) above the finished floor. Flush control is 50-3/4" (44" max) above the finished floor.	
State: 1115B.4.2 #1, 1115B.4.2 #2	
Federal: 4.18.2	
<b>Replace or reposition urinal</b>	<b>\$100</b>
Notes: Urinal shield is 28" (30" min) apart.	
State: -	
Federal: 4.18.3	
<b>Replace or reposition fixtures</b>	<b>\$1,000</b>
Notes: Clear space from the wall to the centerline of the toilet is 17-3/4" (18" req).	
State: 1115B.7.1.3	
Federal: 4.17.3	
<b>Modify stall partitions and doors</b>	<b>\$500</b>
Notes: Clear space from the edge of the toilet to the fixture is 21" (32" min).	
State: 1115B.4.1 #1	
Federal: 4.17.3	
<b>Replace toilet or adjust toilet seat height</b>	<b>\$200</b>
Notes: Toilet seat height is 15-1/2" (17" to 19" max) above the finished floor.	
State: 1115B.4.1 #4	
Federal: 4.16.3	
<b>Reposition toilet flush controls</b>	<b>\$750</b>
Notes: Flush control is not located on the wide side.	
State: 1115B.4.1 #5	
Federal: 4.16.5	



**Fresno**

Ted C. Willis Community Center (TWC)

<b>Floor 1</b>	
<b>19 - 7 Multiple User Restroom</b>	<b>Priority: 4</b>
<b>Install sign</b>	<b>\$250</b>
Notes: Federal required signage is not provided on the latch side of the door.	
State: 1115B.6, 1117B.5.1 #1	
Federal: 4.30.4	
<b>Install sign</b>	<b>\$250</b>
Notes: California required signage is not provided on the door. International Symbol of Accessibility is not provided.	
State: 1115B.6, 1117B.5.1 #1, 1117B.5.5 #3, 1117B.5.8.1.2	
Federal: 4.30.4	
<b>Replace or reposition dispensers or mirrors</b>	<b>\$500</b>
Notes: In the children's restroom, towel dispenser is 40" (32" max) and soap dispenser is 36" (32" max) above the finished floor.	
State: 1115B.8.3	
Federal: 4.23.7	
<b>Modify lavatory/counter clearances</b>	<b>\$1,500</b>
Notes: Height of the sink counter is 26-1/2" (24" max).	
State: 1115B.4.3 #2	
Federal: 4.19.2	
<b>Replace or adjust water controls</b>	<b>\$500</b>
Notes: Faucet control requires grasping and twisting.	
State: 1115B.8.3	
Federal: 4.19.5, 4.27.4	
<b>Insulate water lines</b>	<b>\$100</b>
Notes: Hot water and drain pipes are not insulated.	
State: 1115B.4.3 #4	
Federal: 4.19.4	
<b>Provide or replace stall door hardware</b>	<b>\$100</b>
Notes: U-shaped handle is not provided on the back of stall door.	
State: 1115B.3.1 #4.5	
Federal: 4.13.9	
<b>Modify stall partitions and doors</b>	<b>\$800</b>
Notes: Door width is 24" (32" min).	
State: 1115B.3.1 #4.4	
Federal: -	

**Fresno**

Ted C. Willis Community Center (TWC)

<b>Floor 1</b>	
<b>19 - 7 Multiple User Restroom</b>	<b>Priority: 4</b>
<b>Replace or reposition fixtures</b>	<b>\$1,000</b>
Notes: Space from the wall to the centerline of the toilet is 16" (12" req).	
State: 1115B.7.1.3	
Federal: 4.17.3	
<b>Modify stall partitions and doors</b>	<b>\$500</b>
Notes: Space from the edge of the toilet to the other fixture is 8" (32" min).	
State: 1115B.4.1 #1	
Federal: 4.17.3	
<b>Modify stall partitions and doors</b>	<b>\$500</b>
Notes: Space in front of the toilet is 32" (48" min).	
State: 1115B.3.1 #4.1	
Federal: 4.17.3	
<b>Modify stall partitions and doors</b>	<b>\$500</b>
Notes: Stall width is 32" (60" min).	
State: -	
Federal: 4.17.3	
<b>Reposition toilet flush controls</b>	<b>\$750</b>
Notes: Flush control is not located on the wide side.	
State: 1115B.4.1 #5	
Federal: 4.16.5	
<b>Replace or modify grab bars</b>	<b>\$700</b>
Notes: Grab bars are not provided.	
State: 1115B.4.1 #3, 1115B.4.1 #3.1, 1115B.4.1 #3.2, 1115B.7.1, 1115B.7.2 #4, 1115B.7.2 #5, 1115B.7.3	
Federal: 4.17.6	

**Fresno**

Ted C. Willis Community Center (TWC)

<b>Floor 1</b>	
<b>22 - 1 Bathing Facility</b>	<b>Priority:2</b>
<b>Replace or adjust water controls</b>	<b>\$500</b>
Notes: Showerhead unit is 70" (48" max) above the finished floor.	
State: 1115B.2.1.3.2, 1115B.6.2.4.2	
Federal: 4.21.6	
<b>Increase or provide maneuvering or clear floor area</b>	<b>\$2,500</b>
Notes: 33" (48" min) x 60" clear floor space is not provided.	
State: 1115B.4.4	
Federal: 4.20.2	
<b>Provide an accessible bathtub</b>	<b>\$750</b>
Notes: Accessible seat is not provided in the shower area.	
State: 1115B.4.5 #2, 1115B.4.5 #6	
Federal: 4.20.7, 4.26.3	
<b>Replace or modify grab bars</b>	<b>\$700</b>
Notes: Grab bars are not provided.	
State: 1115B.4.4.8 #2, 1115B.7, 115B.4.4.7	
Federal: 4.20.4, 4.21.2, 4.21.4, 4.26.2, 4.26.3, 4.26.3 #5	
<b>Provide an accessible shower</b>	<b>\$4,500</b>
Notes: Compartment is less than 30" x 60". Hinged door opens inwards (outwards).	
State: 1115B.2 #3, 1115B.4.4	
Federal: 4.21.2	
<b>Replace or reposition dispensers or mirrors</b>	<b>\$1,000</b>
Notes: Floor surface is not slip-resistant.	
State: 1115B.3.1 #6	
Federal: -	
<b>Replace or reposition dispensers or mirrors</b>	<b>\$500</b>
Notes: Control and soap dish are mounted 52-1/2" (40" max) above the finished floor.	
State: 1115B.4.4.9	
Federal: -	

**Fresno**

Ted C. Willis Community Center (TWC)

<b>Floor 1</b>	
<b>22 - 2 Bathing Facility</b>	Priority:2
<b>Replace or adjust water controls</b>	\$500
Notes: Showerhead unit is 69-1/2" (48" max) above the finished floor.	
State: 1115B.2.1.3.2, 1115B.6.2.4.2	
Federal: 4.21.6	
<b>Increase or provide maneuvering or clear floor area</b>	\$2,500
Notes: 33" (48" min) x 60" clear floor space is not provided.	
State: 1115B.4.4	
Federal: 4.20.2	
<b>Provide an accessible bathtub</b>	\$750
Notes: Accessible seat is not provided in the shower area.	
State: 1115B.4.5 #2, 1115B.4.5 #6	
Federal: 4.20.7, 4.26.3	
<b>Replace or modify grab bars</b>	\$750
Notes: Grab bars are not provided.	
State: 1115B.4.4.8 #2, 1115B.7, 115B.4.4.7	
Federal: 4.20.4, 4.21.2, 4.21.4, 4.26.2, 4.26.3, 4.26.3 #5	
<b>Provide an accessible shower</b>	\$4,500
Notes: Compartment is less than 30" x 60". Hinged door opens inwards (outwards).	
State: 1115B.2 #3, 1115B.4.4	
Federal: 4.21.2	
<b>Replace or reposition dispensers or mirrors</b>	\$1,000
Notes: Floor surface is not slip-resistant.	
State: 1115B.3.1 #6	
Federal: -	
<b>Replace or reposition dispensers or mirrors</b>	\$500
Notes: Control and soap dish are mounted 52-1/2" (40" max) above the finished floor.	
State: 1115B.4.4.9	
Federal: -	

**Fresno**

Ted C. Willis Community Center (TWC)

<b>Floor 1</b>		
<b>23 - 1</b>	<b>Locker Room</b>	Priority:2
<b>Provide accessible seating</b>		\$250
Notes: Fixed bench is 17-1/2" (24" min) x 48".		
State: 1117B.8		
Federal: 4.37.3		
<b>Provide accessible lockers</b>		\$500
Notes: Accessible locker hardware requires pinching.		
State: -		
Federal: -		
<b>23 - 2</b>	<b>Locker Room</b>	Priority:2
<b>Provide accessible seating</b>		\$250
Notes: Fixed bench is 17-1/2" (24" min) x 48".		
State: 1117B.8		
Federal: 4.37.3		
<b>Provide accessible lockers</b>		\$500
Notes: Accessible locker hardware requires pinching.		
State: -		
Federal: -		
<b>24 - 1</b>	<b>Library</b>	Priority:4
<b>Widen aisles</b>		\$1,000
Notes: Main aisles are 40" (44" min) wide.		
State: 1106B.4 #2		
Federal: 8.5		
<b>Adjust shelving, storage, or work space</b>		\$1,000
Notes: Bookshelf height is 84" (54" max).		
State: 1106B.4 #3		
Federal: 8.4		

**Fresno**

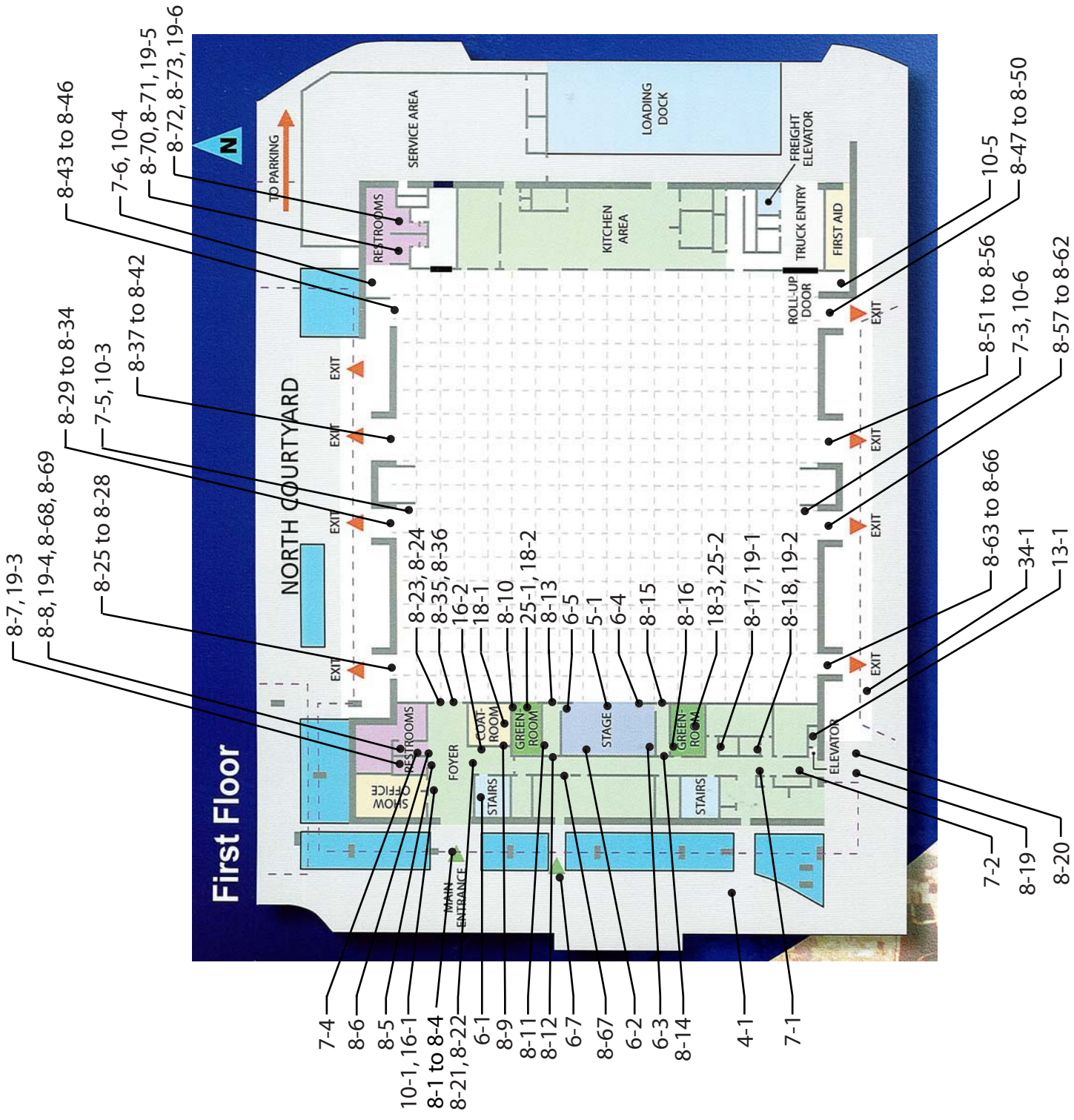
Ted C. Willis Community Center (TWC)

<b>Floor 1</b>	
<b>25 - 2</b>	<b>Kitchen</b> <span style="float: right;">Priority: 4</span>
<b>Modify lavatory/counter clearances</b>	<b>\$3,500</b>
Notes: Sink is 7" (6-1/2" max) deep.	
State: 1115B.4.7 #1	
Federal: 4.24.4	
<b>Insulate water lines</b>	<b>\$100</b>
Notes: Hot water and drain pipes are not insulated.	
State: 1115B.4.7 #1	
Federal: 4.24.6	
<b>Provide an accessible counter</b>	<b>\$4,000</b>
Notes: Countertop and sink are 36-1/2" (34" max) above the finished floor.	
State: -	
Federal: 1115B.4.7 #1	
<b>25 - 3</b>	<b>Kitchen</b> <span style="float: right;">Priority: 4</span>
<b>Modify lavatory/counter clearances</b>	<b>\$3,500</b>
Notes: Sink is 7" (6-1/2" max) deep.	
State: 1115B.4.7 #1	
Federal: 4.24.4	
<b>Insulate water lines</b>	<b>\$100</b>
Notes: Hot water and drain pipes are not insulated.	
State: 1115B.4.7 #1	
Federal: 4.24.6	
<b>Provide an accessible counter</b>	<b>\$4,000</b>
Notes: Countertop and sink are located 24-1/2" (24" max) above the finished floor. Length of countertop is 24" (30" min). Base cabinets directly under the sink and work surface counter areas are not designed to provide clearance for a wheelchair.	
State: 1115B.4.7 #1	
Federal: 1115B.4.7 #1	

**Fresno**

Ted C. Willis Community Center (TWC)

<b>Floor 1</b>	
<b>25 - 4 Kitchen</b>	Priority: 4
<b>Modify lavatory/counter clearances</b>	\$3,500
Notes: Sink is 7" (6-1/2" max) deep.	
State: 1115B.4.7 #1	
Federal: 4.24.4	
<b>Insulate water lines</b>	\$100
Notes: Hot water and drain pipes are not insulated.	
State: 1115B.4.7 #1	
Federal: 4.24.6	
<b>Provide an accessible counter</b>	\$4,000
Notes: Countertop and sink are 36-3/4" (34" max) above the finished floor.	
State: -	
Federal: 1115B.4.7 #1	
<b>25 - 5 Kitchen</b>	Priority: 4
<b>Modify lavatory/counter clearances</b>	\$3,500
Notes: Sink is 7" (6-1/2" max) deep.	
State: 1115B.4.7 #1	
Federal: 4.24.4	
<b>Insulate water lines</b>	\$100
Notes: Hot water and drain pipes are not insulated.	
State: 1115B.4.7 #1	
Federal: 4.24.6	
<b>Provide an accessible counter</b>	\$4,000
Notes: Length of countertop provided for kitchen sink and work surface is 24" (30" min). Base cabinets directly under the sink and work surface counter areas are not designed to provide clearance for a wheelchair.	
State: 1115B.4.7 #1	
Federal: -	
<b>30 - 1 Grandstand/Bleacher (interior or exterior)</b>	Priority: C
<b>Provide accessible seating</b>	\$250
Notes: Designated accessible seating is not provided.	
State: 1104B.3.4.1, 1104B.3.5, 1104B.3.6, 1104B.3.8	
Federal: 4.1.3(19)(a), 4.33.3	
<b>30 - 2 Grandstand/Bleacher (interior or exterior)</b>	Priority: C
<b>Provide accessible seating</b>	\$250
Notes: Designated accessible seating is not provided.	
State: 1104B.3.4.1, 1104B.3.5, 1104B.3.6, 1104B.3.8	
Federal: 4.1.3(19)(a), 4.33.3	



Valdez Hall - Exterior & First Floor  
700 M Street, Fresno



**Fresno**

Valdez Hall (VH)

<b>Exterior</b>		
<b>4 - 1</b>	<b>Walk</b>	Priority: 4
<b>Regrade surface</b>		\$1,800
Notes: Cross slope in front of the door labeled "700" is 5% (2% max).		
State: 1133B.7.1.3		
Federal: 4.3.7		
<b>6 - 7</b>	<b>Stairway</b>	Priority: 1
<b>Install or modify handrails</b>		\$2,400
Notes: Handrails are not provided. There are 3 risers.		
State: 1133B.4.1.1, 1133B.4.2.1, 1133B.4.2.2, 1133B.4.2.3, 1133B.4.2.4, 1133B.4.2.5, 1133B.4.2.6, 1133B.5.5.1		
Federal: 4.26.2, 4.26.4, 4.9.4, 4.9.4 #2, 4.9.4 #3, 4.9.4 #5, 4.9.4 #6, 4.9.4 #7		
<b>34 - 1</b>	<b>Fixed Bench</b>	Priority: 4
<b>Provide accessible fixed bench</b>		\$900
Notes: Armrests are not provided.		
State: -		
Federal: -		

**Fresno**

Valdez Hall (VH)

<b>Floor 1</b>	
<b>5 - 1 Ramp</b>	Priority:2
<b>Regrade or replace ramp</b>	\$50,000
Notes: Stairs are the only way to access the stage. Provide an accessible ramp.	
State: 1133B.5.2, 1133B.5.3, 1133B.5.3.1, 1133B.5.8	
Federal: 4.8.2, 4.8.3, 4.8.6, 4.8.8	
<b>6 - 1 Stairway</b>	Priority:4
<b>Install or modify handrails</b>	\$10,000
Notes: Handrail top surface is mounted 33-1/2" (34" to 38" max) above the stair nosing. There are 22 risers.	
State: 1133B.4.2.1	
Federal: 4.9.4 #5	
<b>6 - 2 Stairway</b>	Priority:2
<b>Install or modify handrails</b>	\$2,000
Notes: Handrails with continuous gripping surface is only provided on one side. Extensions at the top and bottom of the stair run are not provided. Handrail top surface is mounted 32" (34" to 38") above stair nosing. Handrails are 2-1/2" (1-1/2" req) from wall.	
State: 1133B.4.1.1, 1133B.4.2.1, 1133B.4.2.2, 1133B.4.2.5	
Federal: 4.9.4, 4.9.4 #2, 4.9.4 #3, 4.9.4 #5	
<b>6 - 3 Stairway</b>	Priority:2
<b>Install or modify handrails</b>	\$2,000
Notes: Handrails with continuous gripping surface is only provided on one side. Extensions at the top and bottom of the stair run are not provided. Handrail top surface is 33" to 35" (34" to 38") above stair nosing. Handrails are 2-1/2" (1-1/2" req) from wall.	
State: 1133B.4.2.1	
Federal: 4.9.4 #5	
<b>6 - 4 Stairway</b>	Priority:2
<b>Install or modify handrails</b>	\$1,950
Notes: Handrails with continuous gripping surface is only provided on one side. Extensions at the top and bottom of the stair run are not provided. There are 6 risers.	
State: 1133B.4.1.1, 1133B.4.2.2	
Federal: 4.9.4, 4.9.4 #2	
<b>6 - 5 Stairway</b>	Priority:2
<b>Install or modify handrails</b>	\$1,950
Notes: Handrails with continuous gripping surface is only provided on one side. Extensions at the top and bottom of the stair run are not provided. There are 6 risers.	
State: 1133B.4.1.1, 1133B.4.2.2	
Federal: 4.9.4, 4.9.4 #2	

**Fresno**

Valdez Hall (VH)

<b>Floor 1</b>	
<b>7 - 1</b>	<b>Hazard</b> <span style="float: right;">Priority:2</span>
<b>Remove overhanging or protruding objects</b> <span style="float: right;">\$100</span>	
Notes: Fire extinguisher protrudes 4-1/2" (4" max) and is 47-1/2" (not between 27" to 80" max) above the finished floor. Lower fire extinguisher.	
State: 1133B.8.6.1	
Federal: 4.4.1	
<b>7 - 2</b>	<b>Hazard</b> <span style="float: right;">Priority:4</span>
<b>Remove overhanging or protruding objects</b> <span style="float: right;">\$100</span>	
Notes: Punch clock machine protrudes 8-1/2" (4" max) and is 46" (not between 27" to 80" max) above the finished floor.	
State: 1133B.8.6.1	
Federal: 4.4.1	
<b>7 - 3</b>	<b>Hazard</b> <span style="float: right;">Priority:2</span>
<b>Remove overhanging or protruding objects</b> <span style="float: right;">\$100</span>	
Notes: Fire extinguisher protrudes 4-1/2" (4" max) and is 47-1/2" (not between 27" to 80" max) above the finished floor. Lower fire extinguisher.	
State: 1133B.8.6.1	
Federal: 4.4.1	
<b>7 - 4</b>	<b>Hazard</b> <span style="float: right;">Priority:2</span>
<b>Remove overhanging or protruding objects</b> <span style="float: right;">\$100</span>	
Notes: Fire extinguisher protrudes 4-1/2" (4" max) and is 47-1/2" (not between 27" to 80" max) above the finished floor. Lower fire extinguisher.	
State: 1133B.8.6.1	
Federal: 4.4.1	
<b>7 - 5</b>	<b>Hazard</b> <span style="float: right;">Priority:2</span>
<b>Remove overhanging or protruding objects</b> <span style="float: right;">\$750</span>	
Notes: Drinking fountain protrudes 13" (4" max) and is 28" (not between 27" to 80" max) above the finished floor. Provide wing walls.	
State: 1133B.8.6.1	
Federal: 4.4.1	
<b>7 - 6</b>	<b>Hazard</b> <span style="float: right;">Priority:2</span>
<b>Remove overhanging or protruding objects</b> <span style="float: right;">\$750</span>	
Notes: Drinking fountain protrudes 13" (4" max) and is 30" (not between 27" to 80" max) above the finished floor. Provide wing walls.	
State: 1133B.8.6.1	
Federal: 4.4.1	

**Fresno**

Valdez Hall (VH)

<b>Floor 1</b>	
<b>8 - 1</b>	<b>Door/Gate</b> <span style="float: right;">Priority: 1</span>
<b>Enlarge door opening</b>	<b>\$3,500</b>
Notes: Width of clear opening is 29" (32" min).	
State: 1133B.2.2, 1133B.2.3	
Federal: 4.13.5	
<b>Adjust door closer</b>	<b>\$100</b>
Notes: Operating effort is 25 lbs (5 lbs max).	
State: 1133B.2.5	
Federal: 4.13.11	
<b>Install or modify permanent room signs</b>	<b>\$250</b>
Notes: There is an exit sign but Braille is not provided.	
State: -	
Federal: 1117B.5.7, 4.30.6	
<b>8 - 2</b>	<b>Door/Gate</b> <span style="float: right;">Priority: 1</span>
<b>Enlarge door opening</b>	<b>\$3,500</b>
Notes: Width of clear opening is 29" (32" min).	
State: 1133B.2.2, 1133B.2.3	
Federal: 4.13.5	
<b>Adjust door closer</b>	<b>\$100</b>
Notes: Operating effort is 30 lbs (5 lbs max).	
State: 1133B.2.5	
Federal: 4.13.11	
<b>8 - 3</b>	<b>Door/Gate</b> <span style="float: right;">Priority: 1</span>
<b>Enlarge door opening</b>	<b>\$3,500</b>
Notes: Width of clear opening is 29" (32" min).	
State: 1133B.2.2, 1133B.2.3	
Federal: 4.13.5	
<b>Adjust door closer</b>	<b>\$100</b>
Notes: Operating effort is 20 lbs (5 lbs max).	
State: 1133B.2.5	
Federal: 4.13.11	
<b>Install or modify permanent room signs</b>	<b>\$250</b>
Notes: There is an exit sign but Braille is not provided.	
State: -	
Federal: 1117B.5.7, 4.30.6	

**Fresno**

Valdez Hall (VH)

<b>Floor 1</b>	
<b>8 - 4</b>	<b>Door/Gate</b> <span style="float: right;">Priority: 1</span>
<b>Enlarge door opening</b>	<b>\$3,500</b>
Notes: Width of clear opening is 29" (32" min).	
State: 1133B.2.2, 1133B.2.3	
Federal: 4.13.5	
<b>Adjust door closer</b>	<b>\$100</b>
Notes: Operating effort is 20 lbs (5 lbs max).	
State: 1133B.2.5	
Federal: 4.13.11	
<b>8 - 5</b>	<b>Door/Gate</b> <span style="float: right;">Priority: 2</span>
<b>Enlarge door opening</b>	<b>\$3,500</b>
Notes: Width of clear opening is 28-1/2" (32" min).	
State: 1133B.2.2, 1133B.2.3	
Federal: 4.13.5	
<b>Adjust door closer</b>	<b>\$100</b>
Notes: Operating effort is 16 lbs (5 lbs max).	
State: 1133B.2.5	
Federal: 4.13.11	
<b>8 - 6</b>	<b>Door/Gate</b> <span style="float: right;">Priority: 2</span>
<b>Enlarge door opening</b>	<b>\$3,500</b>
Notes: Width of clear opening is 28-1/2" (32" min).	
State: 1133B.2.2, 1133B.2.3	
Federal: 4.13.5	
<b>Adjust door closer</b>	<b>\$100</b>
Notes: Operating effort is 12 lbs (5 lbs max).	
State: 1133B.2.5	
Federal: 4.13.11	
<b>8 - 7</b>	<b>Door/Gate</b> <span style="float: right;">Priority: 2</span>
<b>Enlarge door opening</b>	<b>\$3,500</b>
Notes: Width of clear opening is 28-1/2" (32" min).	
State: 1133B.2.2, 1133B.2.3	
Federal: 4.13.5	
<b>Adjust door closer</b>	<b>\$100</b>
Notes: Operating effort is 15 lbs (5 lbs max).	
State: 1133B.2.5	
Federal: 4.13.11	

**Fresno**

Valdez Hall (VH)

<b>Floor 1</b>	
<b>8 - 8 Door/Gate</b>	Priority:2
<b>Enlarge door opening</b>	\$3,500
Notes: Width of clear opening is 28-1/2" (32" min).	
State: 1133B.2.2, 1133B.2.3	
Federal: 4.13.5	
<b>Adjust door closer</b>	\$100
Notes: Operating effort is 29 lbs (5 lbs max) because the door jambs.	
State: 1133B.2.5	
Federal: 4.13.11	
<b>8 - 9 Door/Gate</b>	Priority:4
<b>Provide additional strike edge clearance</b>	\$3,000
Notes: Strike-edge clearance on swing-side is 6" (18" min).	
State: 1133B.2.4.3	
Federal: 4.13.6	
<b>8 - 10 Door/Gate</b>	Priority:2
<b>Enlarge door opening</b>	\$3,500
Notes: Height of clear opening is 78-1/2" (80" min).	
State: 1008.11, 1133B.2.2	
Federal: 4.4.2	
<b>Adjust door closer</b>	\$100
Notes: Operating effort is 7 lbs (5 lbs max).	
State: 1133B.2.5	
Federal: 4.13.11	
<b>8 - 11 Door/Gate</b>	Priority:2
<b>Adjust door closer</b>	\$100
Notes: Operating effort is 7 lbs (5 lbs max).	
State: 1133B.2.5	
Federal: 4.13.11	
<b>8 - 12 Door/Gate</b>	Priority:2
<b>Adjust door closer</b>	\$100
Notes: Operating effort is 11 lbs (5 lbs max).	
State: 1133B.2.5	
Federal: 4.13.11	
<b>Install or modify permanent room signs</b>	\$250
Notes: There is an exit sign but Braille is not provided.	
State: -	
Federal: 1117B.5.7, 4.30.6	

**Fresno**

Valdez Hall (VH)

<b>Floor 1</b>	
<b>8 - 13 Door/Gate</b>	<b>Priority:2</b>
<b>Adjust door closer</b>	<b>\$100</b>
Notes: Operating effort is 7 lbs (5 lbs max).	
State: 1133B.2.5	
Federal: 4.13.11	
<b>Provide additional strike edge clearance</b>	<b>\$3,000</b>
Notes: Strike-edge clearance on swing-side is 9" (18" min).	
State: 1133B.2.4.3	
Federal: 4.13.6	
<b>Provide additional strike edge clearance</b>	<b>\$3,000</b>
Notes: Strike-edge clearance on push-side is 10" (12" min).	
State: 1133B.2.4.3	
Federal: 4.13.6	
<b>8 - 14 Door/Gate</b>	<b>Priority:2</b>
<b>Adjust door closer</b>	<b>\$100</b>
Notes: Operating effort is 9 lbs (5 lbs max).	
State: 1133B.2.5	
Federal: 4.13.11	
<b>Install or modify permanent room signs</b>	<b>\$250</b>
Notes: There is an exit sign but Braille is not provided.	
State: -	
Federal: 1117B.5.7, 4.30.6	

**Fresno**

Valdez Hall (VH)

<b>Floor 1</b>	
<b>8 - 15 Door/Gate</b>	<b>Priority:2</b>
<b>Adjust door closer</b>	<b>\$100</b>
Notes: Operating effort is 10 lbs (5 lbs max).	
State: 1133B.2.5	
Federal: 4.13.11	
<b>Increase or provide maneuvering or clear floor area</b>	<b>\$2,500</b>
Notes: Level space on swing-side is 55-1/2" (60" min).	
State: 1133B.2, 1133B.2.4.2, 1133B.7.5	
Federal: 4.13.6	
<b>Provide additional strike edge clearance</b>	<b>\$3,000</b>
Notes: Strike-edge clearance on swing-side is 10" (18" min).	
State: 1133B.2.4.3	
Federal: 4.13.6	
<b>Provide additional strike edge clearance</b>	<b>\$3,000</b>
Notes: Strike-edge clearance on push-side is 9" (12" min).	
State: 1133B.2.4.3	
Federal: 4.13.6	
<b>8 - 16 Door/Gate</b>	<b>Priority:2</b>
<b>Adjust door closer</b>	<b>\$100</b>
Notes: Operating effort is 23 lbs (5 lbs max).	
State: 1133B.2.5	
Federal: 4.13.11	
<b>Replace or adjust door hardware</b>	<b>\$300</b>
Notes: Doorknob requires grasping and twisting.	
State: 1133B.2.5.2	
Federal: 4.13.9	



**Fresno**

Valdez Hall (VH)

<b>Floor 1</b>	
<b>8 - 17 Door/Gate</b>	<b>Priority: 4</b>
<b>Enlarge door opening</b>	<b>\$3,500</b>
Notes: Width of clear opening is 27" (32" min).	
State: 1133B.2.2, 1133B.2.3	
Federal: 4.13.5	
<b>Adjust door closer</b>	<b>\$100</b>
Notes: Operating effort is 16 lbs (5 lbs max).	
State: 1133B.2.5	
Federal: 4.13.11	
<b>Increase or provide maneuvering or clear floor area</b>	<b>\$2,500</b>
Notes: Level space on swing-side is 44" (60" min).	
State: 1133B.2, 1133B.2.4.2, 1133B.7.5	
Federal: 4.13.6	
<b>Provide additional strike edge clearance</b>	<b>\$3,000</b>
Notes: Strike-edge clearance on swing-side is 8" (18" min).	
State: 1133B.2.4.3	
Federal: 4.13.6	
<b>8 - 18 Door/Gate</b>	<b>Priority: 4</b>
<b>Enlarge door opening</b>	<b>\$3,500</b>
Notes: Width of clear opening is 28" (32" min).	
State: 1133B.2.2, 1133B.2.3	
Federal: 4.13.5	
<b>Adjust door closer</b>	<b>\$100</b>
Notes: Operating effort is 10 lbs (5 lbs max).	
State: 1133B.2.5	
Federal: 4.13.11	
<b>Increase or provide maneuvering or clear floor area</b>	<b>\$2,500</b>
Notes: Level space on swing-side is 43" (60" min).	
State: 1133B.2, 1133B.2.4.2, 1133B.7.5	
Federal: 4.13.6	
<b>Provide additional strike edge clearance</b>	<b>\$3,000</b>
Notes: Strike-edge clearance on swing-side is 8-1/4" (18" min).	
State: 1133B.2.4.3	
Federal: 4.13.6	

**Fresno**

Valdez Hall (VH)

<b>Floor 1</b>	
<b>8 - 19 Door/Gate</b>	Priority: 1
<b>Enlarge door opening</b>	\$3,500
Notes: Width of clear opening is 28" (32" min).	
State: 1133B.2.2, 1133B.2.3	
Federal: 4.13.5	
<b>Adjust door closer</b>	\$100
Notes: Operating effort is 17 lbs (5 lbs max).	
State: 1133B.2.5	
Federal: 4.13.11	
<b>Install or modify permanent room signs</b>	\$250
Notes: There is an exit sign but Braille is not provided.	
State: -	
Federal: 1117B.5.7, 4.30.6	
<b>8 - 20 Door/Gate</b>	Priority: 1
<b>Enlarge door opening</b>	\$3,500
Notes: Width of clear opening is 28" (32" min).	
State: 1133B.2.2, 1133B.2.3	
Federal: 4.13.5	
<b>Adjust door closer</b>	\$100
Notes: Operating effort is 22 lbs (5 lbs max).	
State: 1133B.2.5	
Federal: 4.13.11	
<b>Install or modify permanent room signs</b>	\$250
Notes: There is an exit sign but Braille is not provided.	
State: -	
Federal: 1117B.5.7, 4.30.6	
<b>8 - 21 Door/Gate</b>	Priority: 2
<b>Adjust door closer</b>	\$100
Notes: Operating effort is 9 lbs (5 lbs max).	
State: 1133B.2.5	
Federal: 4.13.11	
<b>Replace or adjust door hardware</b>	\$300
Notes: Doorknob requires grasping and twisting.	
State: 1133B.2.5.2	
Federal: 4.13.9	

**Fresno**

Valdez Hall (VH)

<b>Floor 1</b>	
<b>8 - 22 Door/Gate</b>	Priority:2
<b>Adjust door closer</b>	\$100
Notes: Operating effort is 10 lbs (5 lbs max).	
State: 1133B.2.5	
Federal: 4.13.11	
<b>Replace or adjust door hardware</b>	\$300
Notes: Doorknob requires grasping and twisting.	
State: 1133B.2.5.2	
Federal: 4.13.9	
<b>8 - 23 Door/Gate</b>	Priority:2
<b>Adjust door closer</b>	\$100
Notes: Operating effort is 11 lbs (5 lbs max).	
State: 1133B.2.5	
Federal: 4.13.11	
<b>Install or modify permanent room signs</b>	\$250
Notes: There is an exit sign but Braille is not provided.	
State: -	
Federal: 1117B.5.7, 4.30.6	
<b>8 - 24 Door/Gate</b>	Priority:2
<b>Adjust door closer</b>	\$100
Notes: Operating effort is 11 lbs (5 lbs max).	
State: 1133B.2.5	
Federal: 4.13.11	
<b>8 - 25 Door/Gate</b>	Priority:1
<b>Enlarge door opening</b>	\$3,500
Notes: Width of clear opening is 29" (32" min).	
State: 1133B.2.2, 1133B.2.3	
Federal: 4.13.5	
<b>Adjust door closer</b>	\$100
Notes: Operating effort is 15 lbs (5 lbs max).	
State: 1133B.2.5	
Federal: 4.13.11	
<b>Install or modify permanent room signs</b>	\$250
Notes: There is an exit sign but Braille is not provided.	
State: -	
Federal: 1117B.5.7, 4.30.6	

**Fresno**

Valdez Hall (VH)

<b>Floor 1</b>		
<b>8 - 26</b>	<b>Door/Gate</b>	<b>Priority: 1</b>
<b>Enlarge door opening</b>		<b>\$3,500</b>
Notes: Width of clear opening is 29" (32" min).		
State: 1133B.2.2, 1133B.2.3		
Federal: 4.13.5		
<b>Adjust door closer</b>		<b>\$100</b>
Notes: Operating effort is 19 lbs (5 lbs max).		
State: 1133B.2.5		
Federal: 4.13.11		
<b>8 - 27</b>	<b>Door/Gate</b>	<b>Priority: 1</b>
<b>Enlarge door opening</b>		<b>\$3,500</b>
Notes: Width of clear opening is 29" (32" min).		
State: 1133B.2.2, 1133B.2.3		
Federal: 4.13.5		
<b>Adjust door closer</b>		<b>\$100</b>
Notes: Operating effort is 18 lbs (5 lbs max).		
State: 1133B.2.5		
Federal: 4.13.11		
<b>Install or modify permanent room signs</b>		<b>\$250</b>
Notes: There is an exit sign but Braille is not provided.		
State: -		
Federal: 1117B.5.7, 4.30.6		
<b>8 - 28</b>	<b>Door/Gate</b>	<b>Priority: 1</b>
<b>Enlarge door opening</b>		<b>\$3,500</b>
Notes: Width of clear opening is 29" (32" min).		
State: 1133B.2.2, 1133B.2.3		
Federal: 4.13.5		
<b>Adjust door closer</b>		<b>\$100</b>
Notes: Operating effort is 24 lbs (5 lbs max).		
State: 1133B.2.5		
Federal: 4.13.11		

**Fresno**

Valdez Hall (VH)

<b>Floor 1</b>		
<b>8 - 29</b>	<b>Door/Gate</b>	<b>Priority: 1</b>
<b>Enlarge door opening</b>		<b>\$3,500</b>
Notes: Width of clear opening is 29" (32" min).		
State: 1133B.2.2, 1133B.2.3		
Federal: 4.13.5		
<b>Adjust door closer</b>		<b>\$100</b>
Notes: Operating effort is 22 lbs (5 lbs max).		
State: 1133B.2.5		
Federal: 4.13.11		
<b>Install or modify permanent room signs</b>		<b>\$250</b>
Notes: There is an exit sign but Braille is not provided.		
State: -		
Federal: 1117B.5.7, 4.30.6		
<b>8 - 30</b>	<b>Door/Gate</b>	<b>Priority: 1</b>
<b>Enlarge door opening</b>		<b>\$3,500</b>
Notes: Width of clear opening is 29" (32" min).		
State: 1133B.2.2, 1133B.2.3		
Federal: 4.13.5		
<b>Adjust door closer</b>		<b>\$100</b>
Notes: Operating effort is 22 lbs (5 lbs max).		
State: 1133B.2.5		
Federal: 4.13.11		
<b>Install or modify permanent room signs</b>		<b>\$250</b>
Notes: There is an exit sign but Braille is not provided.		
State: -		
Federal: 1117B.5.7, 4.30.6		

**Fresno**

Valdez Hall (VH)

<b>Floor 1</b>	
<b>8 - 31 Door/Gate</b>	<b>Priority: 1</b>
<b>Enlarge door opening</b>	<b>\$3,500</b>
Notes: Width of clear opening is 29" (32" min).	
State: 1133B.2.2, 1133B.2.3	
Federal: 4.13.5	
<b>Adjust door closer</b>	<b>\$100</b>
Notes: Operating effort is 15 lbs (5 lbs max).	
State: 1133B.2.5	
Federal: 4.13.11	
<b>Install or modify permanent room signs</b>	<b>\$250</b>
Notes: There is an exit sign but Braille is not provided.	
State: -	
Federal: 1117B.5.7, 4.30.6	
<b>8 - 32 Door/Gate</b>	<b>Priority: 1</b>
<b>Enlarge door opening</b>	<b>\$3,500</b>
Notes: Width of clear opening is 29" (32" min).	
State: 1133B.2.2, 1133B.2.3	
Federal: 4.13.5	
<b>Adjust door closer</b>	<b>\$100</b>
Notes: Operating effort is 27 lbs (5 lbs max).	
State: 1133B.2.5	
Federal: 4.13.11	
<b>Install or modify permanent room signs</b>	<b>\$250</b>
Notes: There is an exit sign but Braille is not provided.	
State: -	
Federal: 1117B.5.7, 4.30.6	

**Fresno**

Valdez Hall (VH)

<b>Floor 1</b>	
<b>8 - 33 Door/Gate</b>	Priority: 1
<b>Enlarge door opening</b>	\$3,500
Notes: Width of clear opening is 29" (32" min).	
State: 1133B.2.2, 1133B.2.3	
Federal: 4.13.5	
<b>Adjust door closer</b>	\$100
Notes: Operating effort is 21 lbs (5 lbs max).	
State: 1133B.2.5	
Federal: 4.13.11	
<b>Install or modify permanent room signs</b>	\$250
Notes: There is an exit sign but Braille is not provided.	
State: -	
Federal: 1117B.5.7, 4.30.6	
<b>8 - 34 Door/Gate</b>	Priority: 1
<b>Enlarge door opening</b>	\$3,500
Notes: Width of clear opening is 29" (32" min).	
State: 1133B.2.2, 1133B.2.3	
Federal: 4.13.5	
<b>Adjust door closer</b>	\$100
Notes: Operating effort is 19 lbs (5 lbs max).	
State: 1133B.2.5	
Federal: 4.13.11	
<b>Install or modify permanent room signs</b>	\$250
Notes: There is an exit sign but Braille is not provided.	
State: -	
Federal: 1117B.5.7, 4.30.6	
<b>8 - 35 Door/Gate</b>	Priority: 2
<b>Adjust door closer</b>	\$100
Notes: Operating effort is 12 lbs (5 lbs max).	
State: 1133B.2.5	
Federal: 4.13.11	
<b>Install or modify permanent room signs</b>	\$250
Notes: There is an exit sign but Braille is not provided.	
State: -	
Federal: 1117B.5.7, 4.30.6	

**Fresno**

Valdez Hall (VH)

<b>Floor 1</b>		
<b>8 - 36</b>	<b>Door/Gate</b>	Priority: 2
<b>Adjust door closer</b>		\$100
Notes: Operating effort is 10 lbs (5 lbs max).		
State: 1133B.2.5		
Federal: 4.13.11		
<b>8 - 37</b>	<b>Door/Gate</b>	Priority: 1
<b>Enlarge door opening</b>		\$3,500
Notes: Width of clear opening is 29" (32" min).		
State: 1133B.2.2, 1133B.2.3		
Federal: 4.13.5		
<b>Adjust door closer</b>		\$100
Notes: Operating effort is 20 lbs (5 lbs max).		
State: 1133B.2.5		
Federal: 4.13.11		
<b>Install or modify permanent room signs</b>		\$250
Notes: There is an exit sign but Braille is not provided.		
State: -		
Federal: 1117B.5.7, 4.30.6		
<b>8 - 38</b>	<b>Door/Gate</b>	Priority: 1
<b>Enlarge door opening</b>		\$3,500
Notes: Width of clear opening is 29" (32" min).		
State: 1133B.2.2, 1133B.2.3		
Federal: 4.13.5		
<b>Adjust door closer</b>		\$100
Notes: Operating effort is 21 lbs (5 lbs max).		
State: 1133B.2.5		
Federal: 4.13.11		



**Fresno**

Valdez Hall (VH)

<b>Floor 1</b>	
<b>8 - 39</b>	<b>Door/Gate</b> <span style="float: right;">Priority: 1</span>
<b>Enlarge door opening</b>	<b>\$3,500</b>
Notes: Width of clear opening is 29" (32" min).	
State: 1133B.2.2, 1133B.2.3	
Federal: 4.13.5	
<b>Adjust door closer</b>	<b>\$100</b>
Notes: Operating effort is 20 lbs (5 lbs max).	
State: 1133B.2.5	
Federal: 4.13.11	
<b>Install or modify permanent room signs</b>	<b>\$250</b>
Notes: There is an exit sign but Braille is not provided.	
State: -	
Federal: 1117B.5.7, 4.30.6	
<b>8 - 40</b>	<b>Door/Gate</b> <span style="float: right;">Priority: 1</span>
<b>Enlarge door opening</b>	<b>\$3,500</b>
Notes: Width of clear opening is 29" (32" min).	
State: 1133B.2.2, 1133B.2.3	
Federal: 4.13.5	
<b>Adjust door closer</b>	<b>\$100</b>
Notes: Operating effort is 23 lbs (5 lbs max).	
State: 1133B.2.5	
Federal: 4.13.11	
<b>8 - 41</b>	<b>Door/Gate</b> <span style="float: right;">Priority: 1</span>
<b>Enlarge door opening</b>	<b>\$3,500</b>
Notes: Width of clear opening is 29" (32" min).	
State: 1133B.2.2, 1133B.2.3	
Federal: 4.13.5	
<b>Adjust door closer</b>	<b>\$100</b>
Notes: The door is jambed and will not open all the way.	
State: 1133B.2.5	
Federal: 4.13.11	
<b>Install or modify permanent room signs</b>	<b>\$250</b>
Notes: There is an exit sign but Braille is not provided.	
State: -	
Federal: 1117B.5.7, 4.30.6	

**Fresno**

Valdez Hall (VH)

<b>Floor 1</b>	
<b>8 - 42 Door/Gate</b>	Priority: 1
<b>Enlarge door opening</b>	\$3,500
Notes: Width of clear opening is 29" (32" min).	
State: 1133B.2.2, 1133B.2.3	
Federal: 4.13.5	
<b>Adjust door closer</b>	\$100
Notes: Operating effort is 20 lbs (5 lbs max).	
State: 1133B.2.5	
Federal: 4.13.11	
<b>8 - 43 Door/Gate</b>	Priority: 1
<b>Enlarge door opening</b>	\$3,500
Notes: Width of clear opening is 29" (32" min).	
State: 1133B.2.2, 1133B.2.3	
Federal: 4.13.5	
<b>Adjust door closer</b>	\$100
Notes: Operating effort is 10 lbs (5 lbs max).	
State: 1133B.2.5	
Federal: 4.13.11	
<b>Install or modify permanent room signs</b>	\$250
Notes: There is an exit sign but Braille is not provided.	
State: -	
Federal: 1117B.5.7, 4.30.6	
<b>8 - 44 Door/Gate</b>	Priority: 1
<b>Enlarge door opening</b>	\$3,500
Notes: Width of clear opening is 29" (32" min).	
State: 1133B.2.2, 1133B.2.3	
Federal: 4.13.5	
<b>Adjust door closer</b>	\$100
Notes: Operating effort is 19 lbs (5 lbs max).	
State: 1133B.2.5	
Federal: 4.13.11	

**Fresno**

Valdez Hall (VH)

<b>Floor 1</b>	
<b>8 - 45 Door/Gate</b>	Priority: 1
<b>Enlarge door opening</b>	\$3,500
Notes: Width of clear opening is 29" (32" min).	
State: 1133B.2.2, 1133B.2.3	
Federal: 4.13.5	
<b>Adjust door closer</b>	\$100
Notes: Operating effort is 11 lbs (5 lbs max).	
State: 1133B.2.5	
Federal: 4.13.11	
<b>Install or modify permanent room signs</b>	\$250
Notes: There is an exit sign but Braille is not provided.	
State: -	
Federal: 1117B.5.7, 4.30.6	
<b>8 - 46 Door/Gate</b>	Priority: 1
<b>Enlarge door opening</b>	\$3,500
Notes: Width of clear opening is 29" (32" min).	
State: 1133B.2.2, 1133B.2.3	
Federal: 4.13.5	
<b>Adjust door closer</b>	\$100
Notes: Operating effort is 29 lbs (5 lbs max).	
State: 1133B.2.5	
Federal: 4.13.11	
<b>Install or modify permanent room signs</b>	\$250
Notes: There is an exit sign but Braille is not provided.	
State: -	
Federal: 1117B.5.7, 4.30.6	
<b>8 - 47 Door/Gate</b>	Priority: 2
<b>Enlarge door opening</b>	\$3,500
Notes: Width of clear opening is 30" (32" min).	
State: 1133B.2.2, 1133B.2.3	
Federal: 4.13.5	
<b>Adjust door closer</b>	\$100
Notes: Operating effort is 25 lbs (5 lbs max).	
State: 1133B.2.5	
Federal: 4.13.11	

**Fresno**

Valdez Hall (VH)

<b>Floor 1</b>	
<b>8 - 48 Door/Gate</b>	Priority:2
<b>Enlarge door opening</b>	\$3,500
Notes: Width of clear opening is 30" (32" min).	
State: 1133B.2.2, 1133B.2.3	
Federal: 4.13.5	
<b>8 - 49 Door/Gate</b>	Priority:2
<b>Enlarge door opening</b>	\$3,500
Notes: Width of clear opening is 30" (32" min).	
State: 1133B.2.2, 1133B.2.3	
Federal: 4.13.5	
<b>Adjust door closer</b>	\$100
Notes: Door is locked.	
State: 1133B.2.5	
Federal: 4.13.11	
<b>8 - 50 Door/Gate</b>	Priority:2
<b>Enlarge door opening</b>	\$3,500
Notes: Width of clear opening is 30" (32" min).	
State: 1133B.2.2, 1133B.2.3	
Federal: 4.13.5	
<b>Adjust door closer</b>	\$100
Notes: Operating effort is 29 lbs (5 lbs max).	
State: 1133B.2.5	
Federal: 4.13.11	
<b>8 - 51 Door/Gate</b>	Priority:2
<b>Enlarge door opening</b>	\$3,500
Notes: Width of clear opening is 29" (32" min).	
State: 1133B.2.2, 1133B.2.3	
Federal: 4.13.5	
<b>Adjust door closer</b>	\$100
Notes: Operating effort is 25 lbs (5 lbs max).	
State: 1133B.2.5	
Federal: 4.13.11	
<b>Install or modify permanent room signs</b>	\$250
Notes: There is an exit sign but Braille is not provided.	
State: -	
Federal: 1117B.5.7, 4.30.6	

**Fresno**

Valdez Hall (VH)

<b>Floor 1</b>	
<b>8 - 52 Door/Gate</b>	Priority:2
<b>Enlarge door opening</b>	\$3,500
Notes: Width of clear opening is 29" (32" min).	
State: 1133B.2.2, 1133B.2.3	
Federal: 4.13.5	
<b>Adjust door closer</b>	\$100
Notes: Operating effort is 19 lbs (5 lbs max).	
State: 1133B.2.5	
Federal: 4.13.11	
<b>8 - 53 Door/Gate</b>	Priority:2
<b>Enlarge door opening</b>	\$3,500
Notes: Width of clear opening is 29" (32" min).	
State: 1133B.2.2, 1133B.2.3	
Federal: 4.13.5	
<b>Adjust door closer</b>	\$100
Notes: Operating effort is 20 lbs (5 lbs max).	
State: 1133B.2.5	
Federal: 4.13.11	
<b>Install or modify permanent room signs</b>	\$250
Notes: There is an exit sign but Braille is not provided.	
State: -	
Federal: 1117B.5.7, 4.30.6	
<b>8 - 54 Door/Gate</b>	Priority:2
<b>Enlarge door opening</b>	\$3,500
Notes: Width of clear opening is 29" (32" min).	
State: 1133B.2.2, 1133B.2.3	
Federal: 4.13.5	
<b>Adjust door closer</b>	\$100
Notes: Operating effort is 20 lbs (5 lbs max).	
State: 1133B.2.5	
Federal: 4.13.11	

**Fresno**

Valdez Hall (VH)

<b>Floor 1</b>	
<b>8 - 55</b>	<b>Door/Gate</b> <span style="float: right;">Priority:2</span>
<b>Enlarge door opening</b>	<b>\$3,500</b>
Notes: Width of clear opening is 29" (32" min).	
State: 1133B.2.2, 1133B.2.3	
Federal: 4.13.5	
<b>Adjust door closer</b>	<b>\$100</b>
Notes: Operating effort is 22 lbs (5 lbs max).	
State: 1133B.2.5	
Federal: 4.13.11	
<b>Install or modify permanent room signs</b>	<b>\$250</b>
Notes: There is an exit sign but Braille is not provided.	
State: -	
Federal: 1117B.5.7, 4.30.6	
<b>8 - 56</b>	<b>Door/Gate</b> <span style="float: right;">Priority:2</span>
<b>Enlarge door opening</b>	<b>\$3,500</b>
Notes: Width of clear opening is 29" (32" min).	
State: 1133B.2.2, 1133B.2.3	
Federal: 4.13.5	
<b>Adjust door closer</b>	<b>\$100</b>
Notes: Operating effort is 29 lbs (5 lbs max).	
State: 1133B.2.5	
Federal: 4.13.11	
<b>8 - 57</b>	<b>Door/Gate</b> <span style="float: right;">Priority:2</span>
<b>Enlarge door opening</b>	<b>\$3,500</b>
Notes: Width of clear opening is 29" (32" min).	
State: 1133B.2.2, 1133B.2.3	
Federal: 4.13.5	
<b>Adjust door closer</b>	<b>\$100</b>
Notes: Operating effort is 20 lbs (5 lbs max).	
State: 1133B.2.5	
Federal: 4.13.11	
<b>Install or modify permanent room signs</b>	<b>\$250</b>
Notes: There is an exit sign but Braille is not provided.	
State: -	
Federal: 1117B.5.7, 4.30.6	

**Fresno**

Valdez Hall (VH)

<b>Floor 1</b>	
<b>8 - 58 Door/Gate</b>	Priority:2
<b>Enlarge door opening</b>	\$3,500
Notes: Width of clear opening is 29" (32" min).	
State: 1133B.2.2, 1133B.2.3	
Federal: 4.13.5	
<b>Adjust door closer</b>	\$100
Notes: Operating effort is 20 lbs (5 lbs max).	
State: 1133B.2.5	
Federal: 4.13.11	
<b>8 - 59 Door/Gate</b>	Priority:2
<b>Enlarge door opening</b>	\$3,500
Notes: Width of clear opening is 29" (32" min).	
State: 1133B.2.2, 1133B.2.3	
Federal: 4.13.5	
<b>Adjust door closer</b>	\$100
Notes: Operating effort is 20 lbs (5 lbs max).	
State: 1133B.2.5	
Federal: 4.13.11	
<b>Install or modify permanent room signs</b>	\$250
Notes: There is an exit sign but Braille is not provided.	
State: -	
Federal: 1117B.5.7, 4.30.6	
<b>8 - 60 Door/Gate</b>	Priority:2
<b>Enlarge door opening</b>	\$3,500
Notes: Width of clear opening is 29" (32" min).	
State: 1133B.2.2, 1133B.2.3	
Federal: 4.13.5	
<b>Adjust door closer</b>	\$100
Notes: Operating effort is 28 lbs (5 lbs max).	
State: 1133B.2.5	
Federal: 4.13.11	

**Fresno**

Valdez Hall (VH)

<b>Floor 1</b>	
<b>8 - 61 Door/Gate</b>	Priority:2
<b>Enlarge door opening</b>	\$3,500
Notes: Width of clear opening is 29" (32" min).	
State: 1133B.2.2, 1133B.2.3	
Federal: 4.13.5	
<b>Adjust door closer</b>	\$100
Notes: Operating effort is 22 lbs (5 lbs max).	
State: 1133B.2.5	
Federal: 4.13.11	
<b>Install or modify permanent room signs</b>	\$250
Notes: There is an exit sign but Braille is not provided.	
State: -	
Federal: 1117B.5.7, 4.30.6	
<b>8 - 62 Door/Gate</b>	Priority:2
<b>Enlarge door opening</b>	\$3,500
Notes: Width of clear opening is 29" (32" min).	
State: 1133B.2.2, 1133B.2.3	
Federal: 4.13.5	
<b>Adjust door closer</b>	\$100
Notes: Operating effort is 21 lbs (5 lbs max).	
State: 1133B.2.5	
Federal: 4.13.11	
<b>8 - 63 Door/Gate</b>	Priority:2
<b>Enlarge door opening</b>	\$3,500
Notes: Width of clear opening is 29" (32" min).	
State: 1133B.2.2, 1133B.2.3	
Federal: 4.13.5	
<b>Adjust door closer</b>	\$100
Notes: Operating effort is 21 lbs (5 lbs max).	
State: 1133B.2.5	
Federal: 4.13.11	
<b>Install or modify permanent room signs</b>	\$250
Notes: There is an exit sign but Braille is not provided.	
State: -	
Federal: 1117B.5.7, 4.30.6	



**Fresno**

Valdez Hall (VH)

<b>Floor 1</b>	
<b>8 - 64 Door/Gate</b>	Priority:2
<b>Enlarge door opening</b>	\$3,500
Notes: Width of clear opening is 29" (32" min).	
State: 1133B.2.2, 1133B.2.3	
Federal: 4.13.5	
<b>Adjust door closer</b>	\$100
Notes: Operating effort is 18 lbs (5 lbs max).	
State: 1133B.2.5	
Federal: 4.13.11	
<b>8 - 65 Door/Gate</b>	Priority:2
<b>Enlarge door opening</b>	\$3,500
Notes: Width of clear opening is 29" (32" min).	
State: 1133B.2.2, 1133B.2.3	
Federal: 4.13.5	
<b>Adjust door closer</b>	\$100
Notes: Operating effort is 19 lbs (5 lbs max).	
State: 1133B.2.5	
Federal: 4.13.11	
<b>Install or modify permanent room signs</b>	\$250
Notes: There is an exit sign but Braille is not provided.	
State: -	
Federal: 1117B.5.7, 4.30.6	
<b>8 - 66 Door/Gate</b>	Priority:2
<b>Enlarge door opening</b>	\$3,500
Notes: Width of clear opening is 29" (32" min).	
State: 1133B.2.2, 1133B.2.3	
Federal: 4.13.5	
<b>Adjust door closer</b>	\$100
Notes: Operating effort is 20 lbs (5 lbs max).	
State: 1133B.2.5	
Federal: 4.13.11	

**Fresno**

Valdez Hall (VH)

<b>Floor 1</b>		
<b>8 - 67</b>	<b>Door/Gate</b>	<b>Priority: 4</b>
<b>Enlarge door opening</b>		<b>\$3,500</b>
Notes: Width of clear opening is 29" (32" min).		
State: 1133B.2.2, 1133B.2.3		
Federal: 4.13.5		
<b>Adjust door closer</b>		<b>\$100</b>
Notes: Operating effort is 7 lbs (5 lbs max).		
State: 1133B.2.5		
Federal: 4.13.11		
<b>Replace or adjust door hardware</b>		<b>\$300</b>
Notes: Doorknob requires grasping and twisting.		
State: 1133B.2.5.2		
Federal: 4.13.9		
<b>8 - 68</b>	<b>Door/Gate</b>	<b>Priority: 2</b>
<b>Enlarge door opening</b>		<b>\$3,500</b>
Notes: Width of clear opening is 27-1/4" (32" min).		
State: 1133B.2.2, 1133B.2.3		
Federal: 4.13.5		
<b>Adjust door closer</b>		<b>\$100</b>
Notes: Operating effort is 17 lbs (5 lbs max).		
State: 1133B.2.5		
Federal: 4.13.11		
<b>8 - 69</b>	<b>Door/Gate</b>	<b>Priority: 2</b>
<b>Enlarge door opening</b>		<b>\$3,500</b>
Notes: Width of clear opening is 27-1/4" (32" min).		
State: 1133B.2.2, 1133B.2.3		
Federal: 4.13.5		
<b>Adjust door closer</b>		<b>\$100</b>
Notes: Operating effort is 15 lbs (5 lbs max).		
State: 1133B.2.5		
Federal: 4.13.11		

**Fresno**

Valdez Hall (VH)

<b>Floor 1</b>	
<b>8 - 70 Door/Gate</b>	Priority:2
<b>Enlarge door opening</b>	\$3,500
Notes: Width of clear opening is 27" (32" min).	
State: 1133B.2.2, 1133B.2.3	
Federal: 4.13.5	
<b>Adjust door closer</b>	\$100
Notes: Operating effort is 19 lbs (5 lbs max).	
State: 1133B.2.5	
Federal: 4.13.11	
<b>8 - 71 Door/Gate</b>	Priority:2
<b>Enlarge door opening</b>	\$3,500
Notes: Width of clear opening is 27" (32" min).	
State: 1133B.2.2, 1133B.2.3	
Federal: 4.13.5	
<b>Adjust door closer</b>	\$100
Notes: Operating effort is 10 lbs (5 lbs max).	
State: 1133B.2.5	
Federal: 4.13.11	
<b>8 - 72 Door/Gate</b>	Priority:2
<b>Enlarge door opening</b>	\$3,500
Notes: Width of clear opening is 27" (32" min).	
State: 1133B.2.2, 1133B.2.3	
Federal: 4.13.5	
<b>Adjust door closer</b>	\$100
Notes: Operating effort is 16 lbs (5 lbs max).	
State: 1133B.2.5	
Federal: 4.13.11	
<b>8 - 73 Door/Gate</b>	Priority:2
<b>Enlarge door opening</b>	\$3,500
Notes: Width of clear opening is 27" (32" min).	
State: 1133B.2.2, 1133B.2.3	
Federal: 4.13.5	
<b>Adjust door closer</b>	\$100
Notes: Operating effort is 20 lbs (5 lbs max).	
State: 1133B.2.5	
Federal: 4.13.11	

**Fresno**

Valdez Hall (VH)

<b>Floor 1</b>	
<b>10 - 1 Drinking Fountain</b>	Priority:3
<b>Provide wing walls or textured floor surface</b>	\$750
Notes: Drinking fountain is not located in an alcove. Provide winged walls.	
State: 1115B.4.6 #3	
Federal: 4.15.5	
<b>Replace or reposition drinking fountain</b>	\$3,500
Notes: Height is 26-3/4" (27" min).	
State: 1115B.4.6 #2	
Federal: 4.15.5	
<b>10 - 3 Drinking Fountain</b>	Priority:3
<b>Replace or reposition drinking fountain</b>	\$3,500
Notes: Depth is 13" (18" min). "Hi-lo" fountain is not provided.	
State: 1115B.4.6 #1, 1117B.4.6 #2	
Federal: 4.1.6, 4.15.5	
<b>10 - 4 Drinking Fountain</b>	Priority:3
<b>Replace or reposition drinking fountain</b>	\$3,500
Notes: Depth is 13" (18" min). "Hi-lo" fountain is not provided. Bubbler height is 37" (36" max).	
State: 1115B.4.6 #1, 1115B.4.6 #4, 1117B.4.6 #2	
Federal: 4.1.6, 4.15.2, 4.15.5	
<b>10 - 5 Drinking Fountain</b>	Priority:3
<b>Replace or reposition drinking fountain</b>	\$3,500
Notes: Depth is 13" (18" min). "Hi-lo" fountain is not provided. Bubbler height is 37" (36" max). Water control is broken.	
State: 1115B.4.6 #1, 1115B.4.6 #4, 1117B.4.6 #2	
Federal: 4.1.6, 4.15, 4.15.2, 4.15.5	
<b>10 - 6 Drinking Fountain</b>	Priority:3
<b>Replace or reposition drinking fountain</b>	\$3,500
Notes: Depth is 12-3/4" (18" min). "Hi-lo" fountain is not provided. Bubbler height is 37" (36" max).	
State: 1115B.4.6 #1, 1115B.4.6 #4, 1117B.4.6 #2	
Federal: 4.1.6, 4.15.2, 4.15.5	
<b>Replace or adjust water controls</b>	\$500
Notes: Control requires grasping and twisting.	
State: 1115B.4.6 #4	
Federal: 4.15.4	

**Fresno**

Valdez Hall (VH)

<b>Floor 1</b>	
<b>13 - 1 Elevator</b>	Priority: 1
<b>Enlarge elevator</b>	\$200,000
Notes: Width of car is 57" (68" min). Car depth is 55" (54" min).	
State: 1103B.1, 1116B.1.8	
Federal: 4.10.1, 4.10.9	
<b>Install or modify handrails</b>	\$0
Notes: Handrails are not provided.	
State: 1116B.1.11	
Federal: -	
<b>Adjust elevator controls and labeling</b>	\$0
Notes: Car control is 61" (54" max) above the finished floor. Emergency control is 33" (35" min) above the finished floor.	
State: 1116B.1.8	
Federal: 4.10.12 #3	
<b>Adjust or provide elevator signals and indicators</b>	\$0
Notes: Audible warning devices are not provided.	
State: 1116B.1.13	
Federal: 4.10.4	
<b>Adjust or provide elevator signals and indicators</b>	\$0
Notes: Hallway lanterns are not provided.	
State: 1116B.1.13	
Federal: 4.10.4 #1, 4.10.4 #2, 4.10.4 #3	
<b>Adjust elevator operation</b>	\$0
Notes: Door remains fully open for 4 seconds (5 seconds min). Optical, automatic door-opening sensors are not provided.	
State: 1116B.1.5, 1116B.1.7	
Federal: 4.10.6	
<b>16 - 1 Transaction Counter</b>	Priority: 2
<b>Provide an accessible counter</b>	\$4,000
Notes: Transaction counter is 36-1/2" (28" to 34" max) above the finished floor.	
State: 1122B.5	
Federal: 4.32.4	
<b>16 - 2 Transaction Counter</b>	Priority: 2
<b>Provide an accessible counter</b>	\$4,000
Notes: Transaction counter is 35-3/4" (28" to 34" max) above the finished floor.	
State: 1122B.5	
Federal: 4.32.4	

**Fresno**

Valdez Hall (VH)

<b>Floor 1</b>	
<b>18 - 1 Room</b>	Priority: 4
<b>Reposition controls and outlets</b>	\$250
Notes: Light switch is 54" (36" to 48" max) above the finished floor.	
State: 1117B.6 #5.5.2	
Federal: 4.27.3	
<b>18 - 2 Room</b>	Priority: 4
<b>Reposition controls and outlets</b>	\$250
Notes: In the Green Room, light switch is 53-1/2" (36" to 48" max) above the finished floor.	
State: 1117B.6 #5.5.2	
Federal: 4.27.3	
<b>18 - 3 Room</b>	Priority: 4
<b>Reposition controls and outlets</b>	\$250
Notes: In the V.I.P. Room, light switch is 53" (36" to 48" max) above the finished floor.	
State: 1117B.6 #5.5.2	
Federal: 4.27.3	

**Fresno**

Valdez Hall (VH)

<b>Floor 1</b>	
<b>19 - 1 Multiple User Restroom</b>	<b>Priority: 4</b>
<b>Install sign</b>	<b>\$100</b>
Notes: California required signage is centered 67-1/2" (60" req) above the finished floor. Lower signage.	
State: 1115B.6	
Federal: 4.30.4	
<b>Install sign</b>	<b>\$250</b>
Notes: Federal required signage is not provided on the latch side of the door. International Symbol of Accessibility is not provided.	
State: 1115B.6, 1117B.5.1 #1, 1117B.5.5 #3, 1117B.5.8.1.2	
Federal: 4.30.4	
<b>Increase or provide maneuvering or clear floor area</b>	<b>\$2,500</b>
Notes: Clear space of 29" (44" min) is provided throughout the restroom. Turning area is 29" (60" min).	
State: 1115B.3.1 #1, 1115B.3.1 #4.5	
Federal: 4.17.1, 4.23.3	
<b>Replace or reposition dispensers or mirrors</b>	<b>\$200</b>
Notes: Mirror is mounted so bottom of reflecting surface is 48" (40" max) above the finished floor.	
State: 1115B.8.1	
Federal: 4.19.6	
<b>Replace or reposition dispensers or mirrors</b>	<b>\$500</b>
Notes: Towel dispenser is 55" (40" max) and sanitary napkin dispenser is 56" (40" max) above the finished floor.	
State: 1115B.8.3	
Federal: 4.23.7	
<b>Modify lavatory/counter clearances</b>	<b>\$1,500</b>
Notes: Lavatory next to wall has 14" (18" min) between wall and center of fixture.	
State: 1115B.4.3 #2	
Federal: -	
<b>Replace or adjust water controls</b>	<b>\$500</b>
Notes: Water valve requires grasping and twisting.	
State: 1115B.8.3	
Federal: 4.19.5, 4.27.4	
<b>Insulate water lines</b>	<b>\$100</b>
Notes: Hot water pipe is not insulated.	
State: 1115B.4.3 #4	
Federal: 4.19.4	

**Fresno**

Valdez Hall (VH)

<b>Floor 1</b>	
<b>19 - 1 Multiple User Restroom</b>	<b>Priority: 4</b>
<b>Reposition controls and outlets</b>	<b>\$250</b>
Notes: Light switch is 53" (36" to 48" max) above the finished floor. Clear floor space of 30" x 48" is not provided in front of light switch.	
State: 1117B.6 #2, 1117B.6 #5	
Federal: 4.2.4.2	
<b>Provide or replace stall door hardware</b>	<b>\$200</b>
Notes: Stall door do not have U-shaped handle on the front or back. Stall door is not self-closing.	
State: 1115B.3.1 #4.5	
Federal: 4.13.9	
<b>Modify stall partitions and doors</b>	<b>\$800</b>
Notes: Door width is 24-1/2" (32" min) for end-entry stall.	
State: 1115B.3.1 #4.4	
Federal: -	
<b>Replace or reposition fixtures</b>	<b>\$1,000</b>
Notes: Space from the wall to the centerline of the toilet is 15-1/2" (18" req).	
State: 1115B.7.1.3	
Federal: 4.17.3	
<b>Modify stall partitions and doors</b>	<b>\$500</b>
Notes: Space from the edge of the toilet to the wall is 11" (32" min).	
State: 1115B.4.1 #1	
Federal: 4.17.3	
<b>Modify stall partitions and doors</b>	<b>\$500</b>
Notes: Space in front of the toilet is 41" (48" min).	
State: 1115B.3.1 #4.1	
Federal: 4.17.3	
<b>Modify stall partitions and doors</b>	<b>\$500</b>
Notes: Stall width is 33-1/2" (60" min).	
State: -	
Federal: 4.17.3	
<b>Reposition toilet flush controls</b>	<b>\$750</b>
Notes: Flush control is not located on the wide side.	
State: 1115B.4.1 #5	
Federal: 4.16.5	



**Fresno**

Valdez Hall (VH)

<b>Floor 1</b>	
<b>19 - 1 Multiple User Restroom</b>	Priority: 4
<b>Replace or reposition dispensers or mirrors</b>	\$100
Notes: Seat cover dispenser is 57-1/2" (40" max) above the finished floor.	
State: 1115B.8.3	
Federal: 4.23.7	
<b>Replace or modify grab bars</b>	\$700
Notes: Grab bars are not provided.	
State: 1115B.4.1 #3, 1115B.4.1 #3.1, 1115B.4.1 #3.2, 1115B.7.1, 1115B.7.2 #4, 1115B.7.2 #5, 1115B.7.3	
Federal: 4.17.6	

**Fresno**

Valdez Hall (VH)

<b>Floor 1</b>	
<b>19 - 2 Multiple User Restroom</b>	<b>Priority: 4</b>
<b>Install sign</b>	<b>\$100</b>
Notes: California required signage is centered 67-1/2" (60" req) above the finished floor. Lower signage.	
State: 1115B.6	
Federal: 4.30.4	
<b>Install sign</b>	<b>\$250</b>
Notes: Federal required signage is not provided on the latch side of the door. International Symbol of Accessibility is not provided.	
State: 1115B.6, 1117B.5.1 #1, 1117B.5.5 #3, 1117B.5.8.1.2	
Federal: 4.30.4	
<b>Increase or provide maneuvering or clear floor area</b>	<b>\$2,500</b>
Notes: Clear space of 20" (44" min) is provided throughout the restroom. Turning area is 20" (60" min).	
State: 1115B.3.1 #1, 1115B.3.1 #4.5	
Federal: 4.17.1, 4.23.3	
<b>Replace or reposition dispensers or mirrors</b>	<b>\$200</b>
Notes: Mirror is mounted so bottom of reflecting surface is 48" (40" max) above the finished floor.	
State: 1115B.8.1	
Federal: 4.19.6	
<b>Replace or reposition dispensers or mirrors</b>	<b>\$250</b>
Notes: Towel dispenser is 52" (40" max) above the finished floor.	
State: 1115B.8.3	
Federal: 4.23.7	
<b>Replace or adjust water controls</b>	<b>\$500</b>
Notes: Water valve requires grasping and twisting.	
State: 1115B.8.3	
Federal: 4.19.5, 4.27.4	
<b>Insulate water lines</b>	<b>\$100</b>
Notes: Hot water pipe is not insulated.	
State: 1115B.4.3 #4	
Federal: 4.19.4	
<b>Reposition controls and outlets</b>	<b>\$250</b>
Notes: Light switch is 53" (36" to 48" max) above the finished floor. Clear floor space of 30" x 48" is not provided in front of light switch.	
State: 1117B.6 #2, 1117B.6 #5	
Federal: 4.2.4.2	

**Fresno**

Valdez Hall (VH)

<b>Floor 1</b>	
<b>19 - 2 Multiple User Restroom</b>	<b>Priority: 4</b>
<b>Provide or replace stall door hardware</b>	<b>\$100</b>
Notes: Stall door is not self-closing.	
State: 1115B.3.1 #4.5	
Federal: -	
<b>Modify stall partitions and doors</b>	<b>\$800</b>
Notes: Door width is 24" (32" min) for end-entry stall.	
State: 1115B.3.1 #4.4	
Federal: -	
<b>Modify stall partitions and doors</b>	<b>\$500</b>
Notes: Space from the edge of the toilet to the wall is 11" (32" min).	
State: 1115B.4.1 #1	
Federal: 4.17.3	
<b>Modify stall partitions and doors</b>	<b>\$500</b>
Notes: Space in front of the toilet is 43" (48" min).	
State: 1115B.3.1 #4.1	
Federal: 4.17.3	
<b>Modify stall partitions and doors</b>	<b>\$500</b>
Notes: Stall width is 33-1/2" (60" min).	
State: -	
Federal: 4.17.3	
<b>Reposition toilet flush controls</b>	<b>\$750</b>
Notes: Flush control is not located on the wide side.	
State: 1115B.4.1 #5	
Federal: 4.16.5	
<b>Replace or reposition dispensers or mirrors</b>	<b>\$100</b>
Notes: Seat cover dispenser is 57" (40" max) above the finished floor.	
State: 1115B.8.3	
Federal: 4.23.7	
<b>Replace or modify grab bars</b>	<b>\$700</b>
Notes: Grab bars are not provided.	
State: 1115B.4.1 #3, 1115B.4.1 #3.1, 1115B.4.1 #3.2, 1115B.7.1, 1115B.7.2 #4, 1115B.7.2 #5, 1115B.7.3	
Federal: 4.17.6	

**Fresno**

Valdez Hall (VH)

<b>Floor 1</b>	
<b>19 - 2</b>	<b>Multiple User Restroom</b> <span style="float: right;">Priority: 4</span>
<b>Modify lavatory/counter clearances</b>	<b>\$3,500</b>
Notes: Clear space beneath the lavatory sink is 28" (29" min) high. Space under the bowl is 23" (27" min) when measured 8" in from the front edge. Lavatory next to wall has 13-3/4" (18" min) between wall and center of fixture.	
-----	
State: 1115B.4.3 #2	
Federal: 4.19.2	

**Fresno**

Valdez Hall (VH)

<b>Floor 1</b>	
<b>19 - 3 Multiple User Restroom</b>	<b>Priority:2</b>
<b>Install sign</b>	<b>\$100</b>
Notes: California required signage is centered 67-1/2" (60" req) above the finished floor. Lower signage.	
State: 1115B.6	
Federal: 4.30.4	
<b>Install sign</b>	<b>\$250</b>
Notes: Federal required signage is not provided on the latch side of the door. International Symbol of Accessibility is not provided.	
State: 1115B.6, 1117B.5.1 #1, 1117B.5.5 #3, 1117B.5.8.1.2	
Federal: 4.30.4	
<b>Replace or reposition dispensers or mirrors</b>	<b>\$200</b>
Notes: Mirror is mounted so bottom of reflecting surface is 51" (40" max) above the finished floor.	
State: 1115B.8.1	
Federal: 4.19.6	
<b>Replace or reposition dispensers or mirrors</b>	<b>\$250</b>
Notes: Towel dispenser is 45" (40" max) above the finished floor.	
State: 1115B.8.3	
Federal: 4.23.7	
<b>Provide or replace stall door hardware</b>	<b>\$100</b>
Notes: Stall door does not have U-shaped handle on the back.	
State: 1115B.3.1 #4.5	
Federal: 4.13.9	
<b>Modify stall partitions and doors</b>	<b>\$500</b>
Notes: Space from the edge of the toilet to the wall is 15" (32" min).	
State: 1115B.4.1 #1	
Federal: 4.17.3	
<b>Modify stall partitions and doors</b>	<b>\$500</b>
Notes: Stall width is 36-1/2" (60" min).	
State: -	
Federal: 4.17.3	
<b>Reposition toilet flush controls</b>	<b>\$750</b>
Notes: Flush control is not located on the wide side.	
State: 1115B.4.1 #5	
Federal: 4.16.5	

**Fresno**

Valdez Hall (VH)

<b>Floor 1</b>	
<b>19 - 3 Multiple User Restroom</b>	<b>Priority:2</b>
<b>Replace or reposition dispensers or mirrors</b>	<b>\$100</b>
Notes: Seat cover dispenser is 56-1/2" (40" max) above the finished floor.	
State: 1115B.8.3	
Federal: 4.23.7	
<b>Replace or modify grab bars</b>	<b>\$700</b>
Notes: Bars are mounted 39" (33" req) above the finished floor. Rear grab bar is not provided. Side grab bar is positioned so the front end is a total of 49" (54" min) from the back wall.	
State: 1115B.4.1 #3, 1115B.4.1 #3.1, 1115B.4.1 #3.2	
Federal: 4.17.6	
<b>Replace or reposition fixtures</b>	<b>\$1,000</b>
Notes: Space from the wall to the centerline of the toilet is 14-1/2" (18" req).	
State: 1115B.7.1.3	
Federal: 4.17.3	

**Fresno**

Valdez Hall (VH)

<b>Floor 1</b>	
<b>19 - 4 Multiple User Restroom</b>	<b>Priority:2</b>
<b>Install sign</b>	<b>\$100</b>
Notes: California required signage is centered 67-1/2" (60" req) above the finished floor. Lower signage.	
State: 1115B.6	
Federal: 4.30.4	
<b>Install sign</b>	<b>\$250</b>
Notes: Federal required signage is not provided on the latch side of the door. International Symbol of Accessibility is not provided.	
State: 1115B.6, 1117B.5.1 #1, 1117B.5.5 #3, 1117B.5.8.1.2	
Federal: 4.30.4	
<b>Replace or reposition dispensers or mirrors</b>	<b>\$200</b>
Notes: Mirror is mounted so bottom of reflecting surface is 51" (40" max) above the finished floor.	
State: 1115B.8.1	
Federal: 4.19.6	
<b>Replace or reposition dispensers or mirrors</b>	<b>\$750</b>
Notes: Towel dispenser is 41" (40" max), soap dispenser is 40-1/4" (40" max), and sanitary napkin dispenser is 55-1/2" (40" max) above the finished floor.	
State: 1115B.8.3	
Federal: 4.23.7	
<b>Provide or replace stall door hardware</b>	<b>\$100</b>
Notes: Stall door does not have U-shaped handle on the back.	
State: 1115B.3.1 #4.5	
Federal: 4.13.9	
<b>Modify stall partitions and doors</b>	<b>\$500</b>
Notes: Space from the edge of the toilet to the wall is 9" (32" min).	
State: 1115B.4.1 #1	
Federal: 4.17.3	
<b>Replace or reposition fixtures</b>	<b>\$1,000</b>
Notes: Space from the wall to the centerline of the toilet is 16" (18" req).	
State: 1115B.7.1.3	
Federal: 4.17.3	
<b>Modify stall partitions and doors</b>	<b>\$500</b>
Notes: Stall width is 30" (60" min).	
State: -	
Federal: 4.17.3	

**Fresno**

Valdez Hall (VH)

<b>Floor 1</b>	
<b>19 - 4 Multiple User Restroom</b>	<b>Priority:2</b>
<b>Reposition toilet flush controls</b>	<b>\$750</b>
Notes: Flush control is not located on the wide side.	
State: 1115B.4.1 #5	
Federal: 4.16.5	
<b>Replace or reposition dispensers or mirrors</b>	<b>\$100</b>
Notes: Seat cover dispenser is 56" (40" max) above the finished floor.	
State: 1115B.8.3	
Federal: 4.23.7	
<b>Replace or modify grab bars</b>	<b>\$700</b>
Notes: Rear grab bar is not provided. Side grab bar is positioned so the front end is a total of 48" (54" min) from the back wall. Space between the wall and the grab bar is 2" (1-1/2" req).	
State: 1115B.4.1 #3.1, 1115B.4.1 #3.2, 1115B.7.1	
Federal: 4.17.6	
<b>Modify lavatory/counter clearances</b>	<b>\$3,500</b>
Notes: Clear sink beneath the lavatory sink is 16-1/2" (17" min) deep.	
State: 1115B.4.3 #2	
Federal: 4.19.2	



**Fresno**

Valdez Hall (VH)

<b>Floor 1</b>	
<b>19 - 5 Multiple User Restroom</b>	<b>Priority:2</b>
<b>Install sign</b>	<b>\$250</b>
Notes: California required signage is not provided on the door.	
State: 1115B.6	
Federal: 4.30.4	
<b>Install sign</b>	<b>\$250</b>
Notes: Federal required signage is not provided on the latch side of the door. International Symbol of Accessibility is not provided.	
State: 1115B.6, 1117B.5.1 #1, 1117B.5.5 #3, 1117B.5.8.1.2	
Federal: 4.30.4	
<b>Replace or reposition dispensers or mirrors</b>	<b>\$250</b>
Notes: Mirror is mounted so bottom of reflecting surface is 51" (40" max) above the finished floor.	
State: 1115B.8.1	
Federal: 4.19.6	
<b>Replace or reposition dispensers or mirrors</b>	<b>\$300</b>
Notes: Towel dispenser is 44-1/2" (40" max) and soap dispenser is 40-1/2" (40" max) above the finished floor.	
State: 1115B.8.3	
Federal: 4.23.7	
<b>Replace or adjust water controls</b>	<b>\$500</b>
Notes: Water valve requires grasping and twisting.	
State: 1115B.8.3	
Federal: 4.19.5, 4.27.4	
<b>Insulate water lines</b>	<b>\$100</b>
Notes: Hot water pipe is not insulated.	
State: 1115B.4.3 #4	
Federal: 4.19.4	
<b>Reposition controls and outlets</b>	<b>\$250</b>
Notes: Light switch is 53" (36" to 48" max) above the finished floor. Clear floor space of 30" x 48" is not provided in front of light switch.	
State: 1117B.6 #2, 1117B.6 #5	
Federal: 4.2.4.2	
<b>Provide or replace stall door hardware</b>	<b>\$100</b>
Notes: Stall door does not have U-shaped handle on the back. Stall door is not self-closing.	
State: 1115B.3.1 #4.5	
Federal: 4.13.9	

**Fresno**

Valdez Hall (VH)

<b>Floor 1</b>	
<b>19 - 5 Multiple User Restroom</b>	<b>Priority:2</b>
<b>Replace or reposition fixtures</b>	<b>\$1,000</b>
Notes: Space from the wall to the centerline of the toilet is 16" (18" req).	
State: 1115B.7.1.3	
Federal: 4.17.3	
<b>Modify stall partitions and doors</b>	<b>\$500</b>
Notes: Space from the edge of the toilet to the wall is 10" (32" min).	
State: 1115B.4.1 #1	
Federal: 4.17.3	
<b>Modify stall partitions and doors</b>	<b>\$500</b>
Notes: Stall width is 34" (60" min).	
State: -	
Federal: 4.17.3	
<b>Reposition toilet flush controls</b>	<b>\$750</b>
Notes: Flush control is not located on the wide side.	
State: 1115B.4.1 #5	
Federal: 4.16.5	
<b>Replace or reposition dispensers or mirrors</b>	<b>\$250</b>
Notes: Seat cover dispenser is 57" (40" max) above the finished floor.	
State: 1115B.8.3	
Federal: 4.23.7	
<b>Replace or modify grab bars</b>	<b>\$350</b>
Notes: Bars are mounted 34" (33" req) above the finished floor. Rear grab bar is not provided. Side grab bar is positioned so the front end is 48" (54" min) from the back wall.	
State: 1115B.4.1 #3, 1115B.4.1 #3.1, 1115B.4.1 #3.2	
Federal: 4.17.6	
<b>Modify lavatory/counter clearances</b>	<b>\$3,500</b>
Notes: Clear space beneath the lavatory sink is 28-1/2" (29" min) high. Space under the bowl is 25" (27" min) when measured 8" in from the front edge.	
State: 1115B.4.3 #2	
Federal: 4.19.2	
<b>Replace or reposition urinal</b>	<b>\$3,500</b>
Notes: Urinal is 25-1/2" (17" max) from the floor to the lip.	
State: 1115B.4.2 #1	
Federal: 4.18.2	

**Fresno**

Valdez Hall (VH)

<b>Floor 1</b>	
<b>19 - 6 Multiple User Restroom</b>	<b>Priority:2</b>
<b>Install sign</b>	<b>\$250</b>
Notes: California required signage is not provided on the door.	
State: 1115B.6	
Federal: 4.30.4	
<b>Install sign</b>	<b>\$250</b>
Notes: Federal required signage is not provided on the latch side of the door. International Symbol of Accessibility is not provided.	
State: 1115B.6, 1117B.5.1 #1, 1117B.5.5 #3, 1117B.5.8.1.2	
Federal: 4.30.4	
<b>Replace or reposition dispensers or mirrors</b>	<b>\$500</b>
Notes: Towel dispenser is 40-1/2" (40" max) and sanitary napkin dispenser is 59-1/2" (40" max) above the finished floor.	
State: 1115B.8.3	
Federal: 4.23.7	
<b>Replace or adjust water controls</b>	<b>\$500</b>
Notes: Water valve requires grasping and twisting.	
State: 1115B.8.3	
Federal: 4.19.5, 4.27.4	
<b>Insulate water lines</b>	<b>\$100</b>
Notes: Hot water pipe is not insulated.	
State: 1115B.4.3 #4	
Federal: 4.19.4	
<b>Reposition controls and outlets</b>	<b>\$250</b>
Notes: Light switch is 53" (36" to 48" max) above the finished floor. Clear floor space of 30" x 48" is not provided in front of light switch.	
State: 1117B.6 #2, 1117B.6 #5	
Federal: 4.2.4.2	
<b>Provide or replace stall door hardware</b>	<b>\$100</b>
Notes: Stall door does not have U-shaped handle on the back.	
State: 1115B.3.1 #4.5	
Federal: 4.13.9	
<b>Replace or reposition fixtures</b>	<b>\$1,000</b>
Notes: Space from the wall to the centerline of the toilet is 16" (18" req).	
State: 1115B.7.1.3	
Federal: 4.17.3	

**Fresno**

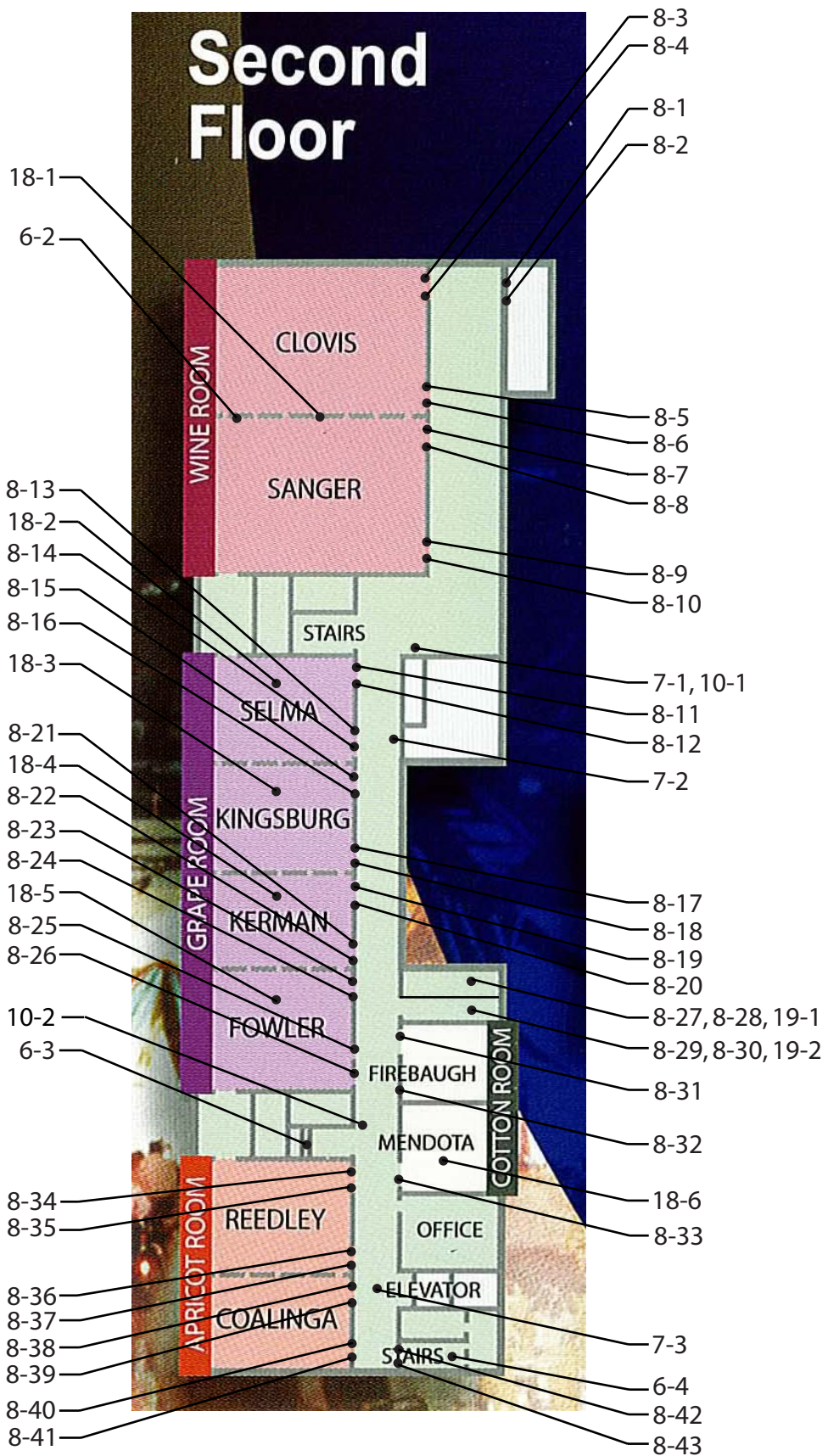
Valdez Hall (VH)

<b>Floor 1</b>	
<b>19 - 6 Multiple User Restroom</b>	<b>Priority:2</b>
<b>Modify stall partitions and doors</b>	<b>\$500</b>
Notes: Space from the edge of the toilet to the wall is 8-1/2" (32" min).	
State: 1115B.4.1 #1	
Federal: 4.17.3	
<b>Modify lavatory/counter clearances</b>	<b>\$1,500</b>
Notes: Space under the bowl is 23" (27" min) when measured 8" in from the front edge.	
State: 1115B.4.3 #2	
Federal: 4.19.2	
<b>Modify stall partitions and doors</b>	<b>\$500</b>
Notes: Stall width is 32" (60" min).	
State: -	
Federal: 4.17.3	
<b>Reposition toilet flush controls</b>	<b>\$750</b>
Notes: Flush control is not located on the wide side.	
State: 1115B.4.1 #5	
Federal: 4.16.5	
<b>Replace or reposition dispensers or mirrors</b>	<b>\$100</b>
Notes: Seat cover dispenser is 58" (40" max) above the finished floor.	
State: 1115B.8.3	
Federal: 4.23.7	
<b>Replace or modify grab bars</b>	<b>\$700</b>
Notes: Bars are mounted 32-1/4" (33" req) above the finished floor. Rear grab bar is not provided. Side grab bar is positioned so the front end is 37" (54" min) from the back wall. Space between the wall and grab bar is 3" (1-1/2" req).	
State: 1115B.4.1 #3, 1115B.4.1 #3.1, 1115B.4.1 #3.2, 1115B.7.1	
Federal: 4.17.6	
<b>Replace or reposition urinal</b>	<b>\$3,500</b>
Notes: Urinal is 25-1/2" (17" max) from the floor to the lip.	
State: 1115B.4.2 #1	
Federal: 4.18.2	
<b>Modify stall partitions and doors</b>	<b>\$800</b>
Notes: Door width is 30" (32" min) for end-entry stall.	
State: 1115B.3.1 #4.4	
Federal: -	

**Fresno**

Valdez Hall (VH)

<b>Floor 1</b>	
<b>25 - 1 Kitchen</b>	Priority:2
<b>Provide an accessible counter</b>	\$4,000
Notes: Base cabinets directly under the sink does not provide clearance for a wheelchair. Knee space is not provided.	
State: 1115B.4.7 #1	
Federal: -	
<b>Insulate water lines</b>	\$100
Notes: Hot water pipe is not insulated.	
State: 1115B.4.7 #1	
Federal: 4.24.6	
<b>Replace or reposition dispensers or mirrors</b>	\$500
Notes: Towel dispenser is 52-1/2" (40" max) and soap dispenser is 41" (40" max) above the finished floor.	
State: 1115B.9.2	
Federal: 4.23.7	
<b>25 - 2 Kitchen</b>	Priority:2
<b>Provide an accessible counter</b>	\$4,000
Notes: Base cabinets directly under the sink does not provide clearance for a wheelchair. Knee space is not provided.	
State: 1115B.4.7 #1	
Federal: -	
<b>Replace or reposition dispensers or mirrors</b>	\$500
Notes: Towel dispenser is 53-1/2" (40" max) and soap dispenser is 38" (40" max) above the finished floor.	
State: 1115B.9.2	
Federal: 4.23.7	
<b>Modify operating mechanism</b>	\$2,000
Notes: Control requires grasping and twisting.	
State: -	
Federal: 1115B.4.7 #1	



Valdez Hall - Second Floor  
700 M Street, Fresno

**Fresno**

Valdez Hall (VH)

<b>Floor 2</b>		
<b>6 - 2</b>	<b>Stairway</b>	Priority:2
<b>Install tread striping</b>		\$30
Notes: Indicator stripes are not provided. There are 2 risers.		
State: 1133B.4.4		
Federal: -		
<b>Install or modify handrails</b>		\$2,000
Notes: Handrails are not provided.		
State: 1133B.4.1.1, 1133B.4.2.1, 1133B.4.2.2, 1133B.4.2.3, 1133B.4.2.4, 1133B.4.2.5, 1133B.4.2.6, 1133B.5.5.1		
Federal: 4.26.2, 4.26.4, 4.9.4, 4.9.4 #2, 4.9.4 #3, 4.9.4 #5, 4.9.4 #6, 4.9.4 #7		
<b>6 - 3</b>	<b>Stairway</b>	Priority:2
<b>Install or modify handrails</b>		\$9,600
Notes: Extensions at the top and bottom of the stair run are not provided. Handrail top surface is mounted 31-1/2" (34" to 38" max) above the stair nosing. Handrails are 2-1/4" (1-1/2" req) from the wall. There are 21 risers.		
State: 1133B.4.2.1, 1133B.4.2.2, 1133B.4.2.5		
Federal: 4.9.4 #2, 4.9.4 #3, 4.9.4 #5		
<b>6 - 4</b>	<b>Stairway</b>	Priority:2
<b>Install or modify handrails</b>		\$9,600
Notes: Handrails are 3-1/4" (1-1/2" req) from the wall. There are 21 risers.		
State: 1133B.4.2.5		
Federal: 4.9.4 #3		
<b>7 - 1</b>	<b>Hazard</b>	Priority:2
<b>Remove overhanging or protruding objects</b>		\$750
Notes: Drinking fountain protrudes 17" (4" max) and is 25" (not between 27" to 80") above the finished floor. Provide wing walls.		
State: 1133B.8.6.1		
Federal: 4.4.1		
<b>7 - 2</b>	<b>Hazard</b>	Priority:2
<b>Remove overhanging or protruding objects</b>		\$750
Notes: Drinking fountain protrudes 12-1/4" (4" max) and is 18" (not between 27" to 80") above the finished floor. Provide wing walls.		
State: 1133B.8.6.1		
Federal: 4.4.1		

**Fresno**

Valdez Hall (VH)

<b>Floor 2</b>		
<b>7 - 3</b>	<b>Hazard</b>	Priority:2
<b>Remove overhanging or protruding objects</b>		\$100
Notes: Fire extinguisher protrudes 4-1/2" (4" max) and is 47" (not between 27" to 80") above the finished floor. Lower fire extinguisher.		
State: 1133B.8.6.1		
Federal: 4.4.1		
<b>8 - 1</b>	<b>Door/Gate</b>	Priority:2
<b>Enlarge door opening</b>		\$3,500
Notes: Width of clear opening is 29-1/2" (32" min).		
State: 1133B.2.2, 1133B.2.3		
Federal: 4.13.5		
<b>Adjust door closer</b>		\$100
Notes: Operating effort is 15 lbs (5 lbs max).		
State: 1133B.2.5		
Federal: 4.13.11		
<b>Install or modify permanent room signs</b>		\$250
Notes: There is an exit sign but Braille is not provided.		
State: -		
Federal: 1117B.5.7, 4.30.6		
<b>8 - 2</b>	<b>Door/Gate</b>	Priority:2
<b>Enlarge door opening</b>		\$3,500
Notes: Width of clear opening is 30" (32" min).		
State: 1133B.2.2, 1133B.2.3		
Federal: 4.13.5		
<b>Adjust door closer</b>		\$100
Notes: Operating effort is 15 lbs (5 lbs max).		
State: 1133B.2.5		
Federal: 4.13.11		
<b>8 - 3</b>	<b>Door/Gate</b>	Priority:2
<b>Enlarge door opening</b>		\$3,500
Notes: Width of clear opening is 27-1/2" (32" min).		
State: 1133B.2.2, 1133B.2.3		
Federal: 4.13.5		
<b>Adjust door closer</b>		\$100
Notes: Operating effort is 15 lbs (5 lbs max).		
State: 1133B.2.5		
Federal: 4.13.11		



**Fresno**

Valdez Hall (VH)

<b>Floor 2</b>	
<b>8 - 4</b>	<b>Door/Gate</b> <span style="float: right;">Priority:2</span>
<b>Enlarge door opening</b>	<b>\$3,500</b>
Notes: Width of clear opening is 27-1/2" (32" min).	
State: 1133B.2.2, 1133B.2.3	
Federal: 4.13.5	
<b>Adjust door closer</b>	<b>\$100</b>
Notes: Operating effort is 10 lbs (5 lbs max).	
State: 1133B.2.5	
Federal: 4.13.11	
<b>8 - 5</b>	<b>Door/Gate</b> <span style="float: right;">Priority:2</span>
<b>Enlarge door opening</b>	<b>\$3,500</b>
Notes: Width of clear opening is 27-1/2" (32" min).	
State: 1133B.2.2, 1133B.2.3	
Federal: 4.13.5	
<b>Adjust door closer</b>	<b>\$100</b>
Notes: Operating effort is 10 lbs (5 lbs max).	
State: 1133B.2.5	
Federal: 4.13.11	
<b>8 - 6</b>	<b>Door/Gate</b> <span style="float: right;">Priority:2</span>
<b>Enlarge door opening</b>	<b>\$3,500</b>
Notes: Width of clear opening is 27-1/2" (32" min).	
State: 1133B.2.2, 1133B.2.3	
Federal: 4.13.5	
<b>Adjust door closer</b>	<b>\$100</b>
Notes: Operating effort is 11 lbs (5 lbs max).	
State: 1133B.2.5	
Federal: 4.13.11	
<b>8 - 7</b>	<b>Door/Gate</b> <span style="float: right;">Priority:2</span>
<b>Enlarge door opening</b>	<b>\$3,500</b>
Notes: Width of clear opening is 27-1/2" (32" min).	
State: 1133B.2.2, 1133B.2.3	
Federal: 4.13.5	
<b>Adjust door closer</b>	<b>\$100</b>
Notes: Operating effort is 16 lbs (5 lbs max).	
State: 1133B.2.5	
Federal: 4.13.11	

**Fresno**

Valdez Hall (VH)

<b>Floor 2</b>	
<b>8 - 8</b>	<b>Door/Gate</b> <span style="float: right;">Priority:2</span>
<b>Enlarge door opening</b>	<b>\$3,500</b>
Notes: Width of clear opening is 27-1/2" (32" min).	
State: 1133B.2.2, 1133B.2.3	
Federal: 4.13.5	
<b>Adjust door closer</b>	<b>\$100</b>
Notes: Operating effort is 11 lbs (5 lbs max).	
State: 1133B.2.5	
Federal: 4.13.11	
<b>8 - 9</b>	<b>Door/Gate</b> <span style="float: right;">Priority:2</span>
<b>Enlarge door opening</b>	<b>\$3,500</b>
Notes: Width of clear opening is 27-1/2" (32" min).	
State: 1133B.2.2, 1133B.2.3	
Federal: 4.13.5	
<b>Adjust door closer</b>	<b>\$100</b>
Notes: Operating effort is 10 lbs (5 lbs max).	
State: 1133B.2.5	
Federal: 4.13.11	
<b>8 - 10</b>	<b>Door/Gate</b> <span style="float: right;">Priority:2</span>
<b>Enlarge door opening</b>	<b>\$3,500</b>
Notes: Width of clear opening is 27-1/2" (32" min).	
State: 1133B.2.2, 1133B.2.3	
Federal: 4.13.5	
<b>Adjust door closer</b>	<b>\$100</b>
Notes: Operating effort is 15 lbs (5 lbs max).	
State: 1133B.2.5	
Federal: 4.13.11	
<b>8 - 11</b>	<b>Door/Gate</b> <span style="float: right;">Priority:2</span>
<b>Enlarge door opening</b>	<b>\$3,500</b>
Notes: Width of clear opening is 29" (32" min).	
State: 1133B.2.2, 1133B.2.3	
Federal: 4.13.5	
<b>Adjust door closer</b>	<b>\$100</b>
Notes: Operating effort is 15 lbs (5 lbs max).	
State: 1133B.2.5	
Federal: 4.13.11	

**Fresno**

Valdez Hall (VH)

<b>Floor 2</b>	
<b>8 - 12 Door/Gate</b>	Priority:2
<b>Enlarge door opening</b>	\$3,500
Notes: Width of clear opening is 29" (32" min).	
State: 1133B.2.2, 1133B.2.3	
Federal: 4.13.5	
<b>Adjust door closer</b>	\$100
Notes: Operating effort is 15 lbs (5 lbs max).	
State: 1133B.2.5	
Federal: 4.13.11	
<b>8 - 13 Door/Gate</b>	Priority:2
<b>Enlarge door opening</b>	\$3,500
Notes: Width of clear opening is 29" (32" min).	
State: 1133B.2.2, 1133B.2.3	
Federal: 4.13.5	
<b>Adjust door closer</b>	\$100
Notes: Operating effort is 11 lbs (5 lbs max).	
State: 1133B.2.5	
Federal: 4.13.11	
<b>8 - 14 Door/Gate</b>	Priority:2
<b>Enlarge door opening</b>	\$3,500
Notes: Width of clear opening is 29" (32" min).	
State: 1133B.2.2, 1133B.2.3	
Federal: 4.13.5	
<b>Adjust door closer</b>	\$100
Notes: Operating effort is 17 lbs (5 lbs max).	
State: 1133B.2.5	
Federal: 4.13.11	
<b>8 - 15 Door/Gate</b>	Priority:2
<b>Enlarge door opening</b>	\$3,500
Notes: Width of clear opening is 29" (32" min).	
State: 1133B.2.2, 1133B.2.3	
Federal: 4.13.5	
<b>Adjust door closer</b>	\$100
Notes: Operating effort is 15 lbs (5 lbs max).	
State: 1133B.2.5	
Federal: 4.13.11	

**Fresno**

Valdez Hall (VH)

<b>Floor 2</b>	
<b>8 - 16 Door/Gate</b>	Priority:2
<b>Enlarge door opening</b>	\$3,500
Notes: Width of clear opening is 29" (32" min).	
State: 1133B.2.2, 1133B.2.3	
Federal: 4.13.5	
<b>Adjust door closer</b>	\$100
Notes: Operating effort is 15 lbs (5 lbs max).	
State: 1133B.2.5	
Federal: 4.13.11	
<b>8 - 17 Door/Gate</b>	Priority:2
<b>Enlarge door opening</b>	\$3,500
Notes: Width of clear opening is 29" (32" min).	
State: 1133B.2.2, 1133B.2.3	
Federal: 4.13.5	
<b>Adjust door closer</b>	\$100
Notes: Operating effort is 15 lbs (5 lbs max).	
State: 1133B.2.5	
Federal: 4.13.11	
<b>8 - 18 Door/Gate</b>	Priority:2
<b>Enlarge door opening</b>	\$3,500
Notes: Width of clear opening is 29" (32" min).	
State: 1133B.2.2, 1133B.2.3	
Federal: 4.13.5	
<b>Adjust door closer</b>	\$100
Notes: Operating effort is 15 lbs (5 lbs max).	
State: 1133B.2.5	
Federal: 4.13.11	
<b>8 - 19 Door/Gate</b>	Priority:2
<b>Enlarge door opening</b>	\$3,500
Notes: Width of clear opening is 29" (32" min).	
State: 1133B.2.2, 1133B.2.3	
Federal: 4.13.5	
<b>Adjust door closer</b>	\$100
Notes: Operating effort is 19 lbs (5 lbs max).	
State: 1133B.2.5	
Federal: 4.13.11	

**Fresno**

Valdez Hall (VH)

<b>Floor 2</b>	
<b>8 - 20 Door/Gate</b>	Priority:2
<b>Enlarge door opening</b>	\$3,500
Notes: Width of clear opening is 28" (32" min).	
State: 1133B.2.2, 1133B.2.3	
Federal: 4.13.5	
<b>Adjust door closer</b>	\$100
Notes: Operating effort is 8 lbs (5 lbs max).	
State: 1133B.2.5	
Federal: 4.13.11	
<b>8 - 21 Door/Gate</b>	Priority:2
<b>Enlarge door opening</b>	\$3,500
Notes: Width of clear opening is 27-1/2" (32" min).	
State: 1133B.2.2, 1133B.2.3	
Federal: 4.13.5	
<b>Adjust door closer</b>	\$100
Notes: Operating effort is 15 lbs (5 lbs max).	
State: 1133B.2.5	
Federal: 4.13.11	
<b>8 - 22 Door/Gate</b>	Priority:2
<b>Enlarge door opening</b>	\$3,500
Notes: Width of clear opening is 29" (32" min).	
State: 1133B.2.2, 1133B.2.3	
Federal: 4.13.5	
<b>Adjust door closer</b>	\$100
Notes: Operating effort is 14 lbs (5 lbs max).	
State: 1133B.2.5	
Federal: 4.13.11	
<b>8 - 23 Door/Gate</b>	Priority:2
<b>Enlarge door opening</b>	\$3,500
Notes: Width of clear opening is 29" (32" min).	
State: 1133B.2.2, 1133B.2.3	
Federal: 4.13.5	
<b>Adjust door closer</b>	\$100
Notes: Operating effort is 13 lbs (5 lbs max).	
State: 1133B.2.5	
Federal: 4.13.11	

**Fresno**

Valdez Hall (VH)

<b>Floor 2</b>	
<b>8 - 24 Door/Gate</b>	Priority:2
<b>Enlarge door opening</b>	\$3,500
Notes: Width of clear opening is 28" (32" min).	
State: 1133B.2.2, 1133B.2.3	
Federal: 4.13.5	
<b>Adjust door closer</b>	\$100
Notes: Operating effort is 12 lbs (5 lbs max).	
State: 1133B.2.5	
Federal: 4.13.11	
<b>8 - 25 Door/Gate</b>	Priority:2
<b>Adjust door closer</b>	\$100
Notes: Operating effort is 10 lbs (5 lbs max).	
State: 1133B.2.5	
Federal: 4.13.11	
<b>Provide additional strike edge clearance</b>	\$3,000
Notes: Strike-edge clearance on push-side is 2-3/4" (12" min).	
State: 1133B.2.4.3	
Federal: 4.13.6	
<b>8 - 26 Door/Gate</b>	Priority:2
<b>Adjust door closer</b>	\$100
Notes: Operating effort is 12 lbs (5 lbs max).	
State: 1133B.2.5	
Federal: 4.13.11	
<b>Provide additional strike edge clearance</b>	\$3,000
Notes: Strike-edge clearance on push-side is 2-1/2" (12" min).	
State: 1133B.2.4.3	
Federal: 4.13.6	

**Fresno**

Valdez Hall (VH)

<b>Floor 2</b>	
<b>8 - 27 Door/Gate</b>	<b>Priority:2</b>
<b>Enlarge door opening</b>	<b>\$3,500</b>
Notes: Width of clear opening is 27" (32" min).	
State: 1133B.2.2, 1133B.2.3	
Federal: 4.13.5	
<b>Adjust door closer</b>	<b>\$100</b>
Notes: Operating effort is 15 lbs (5 lbs max).	
State: 1133B.2.5	
Federal: 4.13.11	
<b>Increase or provide maneuvering or clear floor area</b>	<b>\$2,500</b>
Notes: Level space on swing-side is 41" (60" min).	
State: 1133B.2, 1133B.2.4.2, 1133B.7.5	
Federal: 4.13.6	
<b>Provide additional strike edge clearance</b>	<b>\$3,000</b>
Notes: Strike-edge clearance on swing-side is 5-1/2" (18" min).	
State: 1133B.2.4.3	
Federal: 4.13.6	

**Fresno**

Valdez Hall (VH)

<b>Floor 2</b>	
<b>8 - 28 Door/Gate</b>	<b>Priority:2</b>
<b>Enlarge door opening</b>	<b>\$3,500</b>
Notes: Width of clear opening is 27" (32" min).	
State: 1133B.2.2, 1133B.2.3	
Federal: 4.13.5	
<b>Adjust door closer</b>	<b>\$100</b>
Notes: Operating effort is 21 lbs (5 lbs max).	
State: 1133B.2.5	
Federal: 4.13.11	
<b>Provide additional strike edge clearance</b>	<b>\$3,000</b>
Notes: Strike-edge clearance on swing-side is 5-1/2" (18" min).	
State: 1133B.2.4.3	
Federal: 4.13.6	
<b>Increase or provide maneuvering or clear floor area</b>	<b>\$2,500</b>
Notes: Level space on push-side is 41" (48" min).	
State: 1133B.2, 1133B.2.4.2, 1133B.7.5	
Federal: 4.13.6	
<b>Provide additional strike edge clearance</b>	<b>\$3,000</b>
Notes: Strike-edge clearance on push-side is 5-1/2" (12" min).	
State: 1133B.2.4.3	
Federal: 4.13.6	



**Fresno**

Valdez Hall (VH)

<b>Floor 2</b>	
<b>8 - 29 Door/Gate</b>	<b>Priority:2</b>
<b>Enlarge door opening</b>	<b>\$3,500</b>
Notes: Width of clear opening is 27" (32" min).	
State: 1133B.2.2, 1133B.2.3	
Federal: 4.13.5	
<b>Adjust door closer</b>	<b>\$100</b>
Notes: Operating effort is 13 lbs (5 lbs max).	
State: 1133B.2.5	
Federal: 4.13.11	
<b>Provide additional strike edge clearance</b>	<b>\$3,000</b>
Notes: Strike-edge clearance on swing-side is 2" (18" min).	
State: 1133B.2.4.3	
Federal: 4.13.6	
<b>Increase or provide maneuvering or clear floor area</b>	<b>\$2,500</b>
Notes: Level space on push-side is 35-1/2" (48" min).	
State: 1133B.2, 1133B.2.4.2, 1133B.7.5	
Federal: 4.13.6	
<b>8 - 30 Door/Gate</b>	<b>Priority:2</b>
<b>Enlarge door opening</b>	<b>\$3,500</b>
Notes: Width of clear opening is 27" (32" min).	
State: 1133B.2.2, 1133B.2.3	
Federal: 4.13.5	
<b>Adjust door closer</b>	<b>\$100</b>
Notes: Operating effort is 15 lbs (5 lbs max).	
State: 1133B.2.5	
Federal: 4.13.11	
<b>Provide additional strike edge clearance</b>	<b>\$3,000</b>
Notes: Strike-edge clearance on swing-side is 5-1/2" (18" min).	
State: 1133B.2.4.3	
Federal: 4.13.6	

**Fresno**

Valdez Hall (VH)

<b>Floor 2</b>	
<b>8 - 31 Door/Gate</b>	Priority:2
<b>Replace or adjust door hardware</b>	\$300
Notes: Doorknob requires grasping and twisting.	
State: 1133B.2.5.2	
Federal: 4.13.9	
<b>Adjust door closer</b>	\$100
Notes: Operating effort is 14 lbs (5 lbs max).	
State: 1133B.2.5	
Federal: 4.13.11	
<b>8 - 32 Door/Gate</b>	Priority:2
<b>Replace or adjust door hardware</b>	\$300
Notes: Doorknob requires grasping and twisting.	
State: 1133B.2.5.2	
Federal: 4.13.9	
<b>Adjust door closer</b>	\$100
Notes: Operating effort is 14 lbs (5 lbs max).	
State: 1133B.2.5	
Federal: 4.13.11	
<b>8 - 33 Door/Gate</b>	Priority:2
<b>Replace or adjust door hardware</b>	\$300
Notes: Doorknob requires grasping and twisting.	
State: 1133B.2.5.2	
Federal: 4.13.9	
<b>Adjust door closer</b>	\$100
Notes: Operating effort is 10 lbs (5 lbs max).	
State: 1133B.2.5	
Federal: 4.13.11	
<b>Provide or modify door kickplate</b>	\$100
Notes: Doorstop is mounted on kickplate.	
State: 1133B.2.6	
Federal: -	

**Fresno**

Valdez Hall (VH)

<b>Floor 2</b>	
<b>8 - 34 Door/Gate</b>	Priority:2
<b>Enlarge door opening</b>	\$3,500
Notes: Width of clear opening is 29" (32" min).	
State: 1133B.2.2, 1133B.2.3	
Federal: 4.13.5	
<b>Adjust door closer</b>	\$100
Notes: Operating effort is 12 lbs (5 lbs max).	
State: 1133B.2.5	
Federal: 4.13.11	
<b>8 - 35 Door/Gate</b>	Priority:2
<b>Enlarge door opening</b>	\$3,500
Notes: Width of clear opening is 29" (32" min).	
State: 1133B.2.2, 1133B.2.3	
Federal: 4.13.5	
<b>Adjust door closer</b>	\$100
Notes: Operating effort is 10 lbs (5 lbs max).	
State: 1133B.2.5	
Federal: 4.13.11	
<b>8 - 36 Door/Gate</b>	Priority:2
<b>Enlarge door opening</b>	\$3,500
Notes: Width of clear opening is 29" (32" min).	
State: 1133B.2.2, 1133B.2.3	
Federal: 4.13.5	
<b>Adjust door closer</b>	\$100
Notes: Operating effort is 10 lbs (5 lbs max).	
State: 1133B.2.5	
Federal: 4.13.11	
<b>8 - 37 Door/Gate</b>	Priority:2
<b>Enlarge door opening</b>	\$3,500
Notes: Width of clear opening is 29" (32" min).	
State: 1133B.2.2, 1133B.2.3	
Federal: 4.13.5	
<b>Adjust door closer</b>	\$100
Notes: Operating effort is 11 lbs (5 lbs max).	
State: 1133B.2.5	
Federal: 4.13.11	

**Fresno**

Valdez Hall (VH)

<b>Floor 2</b>	
<b>8 - 38 Door/Gate</b>	Priority:2
<b>Enlarge door opening</b>	\$3,500
Notes: Width of clear opening is 29" (32" min).	
State: 1133B.2.2, 1133B.2.3	
Federal: 4.13.5	
<b>Adjust door closer</b>	\$100
Notes: Operating effort is 20 lbs (5 lbs max).	
State: 1133B.2.5	
Federal: 4.13.11	
<b>8 - 39 Door/Gate</b>	Priority:2
<b>Enlarge door opening</b>	\$3,500
Notes: Width of clear opening is 29" (32" min).	
State: 1133B.2.2, 1133B.2.3	
Federal: 4.13.5	
<b>Adjust door closer</b>	\$100
Notes: Operating effort is 11 lbs (5 lbs max).	
State: 1133B.2.5	
Federal: 4.13.11	
<b>8 - 40 Door/Gate</b>	Priority:2
<b>Enlarge door opening</b>	\$3,500
Notes: Width of clear opening is 29" (32" min).	
State: 1133B.2.2, 1133B.2.3	
Federal: 4.13.5	
<b>Adjust door closer</b>	\$100
Notes: Operating effort is 13 lbs (5 lbs max).	
State: 1133B.2.5	
Federal: 4.13.11	
<b>8 - 41 Door/Gate</b>	Priority:2
<b>Enlarge door opening</b>	\$3,500
Notes: Width of clear opening is 29" (32" min).	
State: 1133B.2.2, 1133B.2.3	
Federal: 4.13.5	
<b>Adjust door closer</b>	\$100
Notes: Operating effort is 15 lbs (5 lbs max).	
State: 1133B.2.5	
Federal: 4.13.11	

**Fresno**

Valdez Hall (VH)

<b>Floor 2</b>		
<b>8 - 42</b>	<b>Door/Gate</b>	Priority:2
<b>Enlarge door opening</b>		\$3,500
Notes: Width of clear opening is 28" (32" min).		
State: 1133B.2.2, 1133B.2.3		
Federal: 4.13.5		
<b>Adjust door closer</b>		\$100
Notes: Operating effort is 17 lbs (5 lbs max).		
State: 1133B.2.5		
Federal: 4.13.11		
<b>Increase or provide maneuvering or clear floor area</b>		\$2,500
Notes: Level space on swing-side is 47-3/4" (60" min).		
State: 1133B.2, 1133B.2.4.2, 1133B.7.5		
Federal: 4.13.6		
<b>Install or modify permanent room signs</b>		\$250
Notes: There is an exit sign but Braille is not provided.		
State: -		
Federal: 1117B.5.7, 4.30.6		
<b>8 - 43</b>	<b>Door/Gate</b>	Priority:2
<b>Enlarge door opening</b>		\$3,500
Notes: Width of clear opening is 27-3/4" (32" min).		
State: 1133B.2.2, 1133B.2.3		
Federal: 4.13.5		
<b>Adjust door closer</b>		\$100
Notes: Operating effort is 18 lbs (5 lbs max).		
State: 1133B.2.5		
Federal: 4.13.11		
<b>10 - 1</b>	<b>Drinking Fountain</b>	Priority:3
<b>Replace or reposition drinking fountain</b>		\$3,500
Notes: Height is 25" (27" min). Depth is 17" (18" min).		
State: 1115B.4.6 #2, 1117B.4.6 #2		
Federal: 4.15.5		

**Fresno**

Valdez Hall (VH)

<b>Floor 2</b>	
<b>10 - 2 Drinking Fountain</b>	Priority: 4
<b>Replace or reposition drinking fountain</b>	\$3,500
Notes: Height is 18" (27" min). Depth is 12-1/4" (18" min). Bubbler height is 41" (36" max). "Hi-lo" fountain is not provided. Control is located on top of the bubbler.	
State: 1115B.4.6 #1, 1115B.4.6 #2, 1115B.4.6 #4, 1117B.4.6 #2	
Federal: 4.1.6, 4.15, 4.15.2, 4.15.5	
<b>Replace or adjust water controls</b>	\$500
Notes: Operating effort is 8 lbs (5 lbs max).	
State: 1115B.4.6 #4	
Federal: 4.15.4	
<b>18 - 1 Room</b>	Priority: 4
<b>Reposition controls and outlets</b>	\$250
Notes: Light switch is 54" (36" to 48" max) above the finished floor.	
State: 1117B.6 #5.5.2	
Federal: 4.27.3	
<b>18 - 2 Room</b>	Priority: 4
<b>Reposition controls and outlets</b>	\$250
Notes: Light switch is 54" (36" to 48" max) above the finished floor.	
State: 1117B.6 #5.5.2	
Federal: 4.27.3	
<b>18 - 3 Room</b>	Priority: 4
<b>Reposition controls and outlets</b>	\$250
Notes: Light switch is 53-1/2" (36" to 48" max) above the finished floor.	
State: 1117B.6 #5.5.2	
Federal: 4.27.3	
<b>18 - 4 Room</b>	Priority: 4
<b>Reposition controls and outlets</b>	\$250
Notes: Light switch is 54" (36" to 48" max) above the finished floor.	
State: 1117B.6 #5.5.2	
Federal: 4.27.3	
<b>18 - 5 Room</b>	Priority: 4
<b>Reposition controls and outlets</b>	\$250
Notes: Light switch is 54" (36" to 48" max) above the finished floor.	
State: 1117B.6 #5.5.2	
Federal: 4.27.3	

**Fresno**

Valdez Hall (VH)

<b>Floor 2</b>	
<b>18 - 6 Room</b>	<b>Priority: 4</b>
<b>Reposition controls and outlets</b>	<b>\$250</b>
Notes: Light switch is 54" (36" to 48" max) above the finished floor.	
State: 1117B.6 #5.5.2	
Federal: 4.27.3	

**Fresno**

Valdez Hall (VH)

<b>Floor 2</b>	
<b>19 - 1 Multiple User Restroom</b>	<b>Priority:2</b>
<b>Install sign</b>	<b>\$250</b>
Notes: California required signage is not provided on the door.	
State: 1115B.6	
Federal: 4.30.4	
<b>Install sign</b>	<b>\$250</b>
Notes: Federal required signage is not located on the latch side of the door. International Symbol of Accessibility is not provided.	
State: 1115B.6, 1117B.5.1 #1, 1117B.5.5 #3, 1117B.5.8.1.2	
Federal: 4.30.4	
<b>Replace or reposition dispensers or mirrors</b>	<b>\$200</b>
Notes: Mirror is mounted so bottom of reflecting surface is 51" (40" max) above the finished floor.	
State: 1115B.8.1	
Federal: 4.19.6	
<b>Replace or reposition dispensers or mirrors</b>	<b>\$500</b>
Notes: Towel dispenser is 44-1/2" (40" max) and soap dispenser is 41" (40" max) above the finished floor.	
State: 1115B.8.3	
Federal: 4.23.7	
<b>Modify lavatory/counter clearances</b>	<b>\$1,500</b>
Notes: Space under the bowl is 25" (27" min) when measured 8" in from the front edge.	
State: 1115B.4.3 #2	
Federal: 4.19.2	
<b>Replace or adjust water controls</b>	<b>\$500</b>
Notes: Control requires grasping and twisting.	
State: 1115B.8.3	
Federal: 4.19.5, 4.27.4	
<b>Insulate water lines</b>	<b>\$100</b>
Notes: Hot water pipe is not insulated.	
State: 1115B.4.3 #4	
Federal: 4.19.4	
<b>Replace or reposition urinal</b>	<b>\$3,500</b>
Notes: Flush control is 50-1/2" (44" max) above the finished floor. Urinal is 25" (17" max) from the floor to the lip.	
State: 1115B.4.2 #1, 1115B.4.2 #2	
Federal: 4.18.2	



**Fresno**

Valdez Hall (VH)

<b>Floor 2</b>	
<b>19 - 1 Multiple User Restroom</b>	<b>Priority:2</b>
<b>Provide or replace stall door hardware</b>	<b>\$100</b>
Notes: Stall door does not have U-shaped handles on the front or back.	
State: 1115B.3.1 #4.5	
Federal: 4.13.9	
<b>Modify stall partitions and doors</b>	<b>\$800</b>
Notes: Door width is 24-1/2" (32" min) for end-entry stall.	
State: 1115B.3.1 #4.4	
Federal: -	
<b>Replace or reposition fixtures</b>	<b>\$1,000</b>
Notes: Space from the wall to the centerline is 17" (18" req).	
State: 1115B.7.1.3	
Federal: 4.17.3	
<b>Modify stall partitions and doors</b>	<b>\$500</b>
Notes: Space from the edge of the toilet to the wall is 9-1/2" (32" min).	
State: 1115B.4.1 #1	
Federal: 4.17.3	
<b>Modify stall partitions and doors</b>	<b>\$500</b>
Notes: Space in front of the toilet is 32-1/2" (48" min).	
State: 1115B.3.1 #4.1	
Federal: 4.17.3	
<b>Modify stall partitions and doors</b>	<b>\$500</b>
Notes: Stall width is 32" (60" min).	
State: -	
Federal: 4.17.3	
<b>Replace toilet or adjust toilet seat height</b>	<b>\$200</b>
Notes: Toilet seat height is 16-1/2" (17" to 19") above the finished floor.	
State: 1115B.4.1 #4	
Federal: 4.16.3	
<b>Reposition toilet flush controls</b>	<b>\$750</b>
Notes: Flush control is not located on the wide side.	
State: 1115B.4.1 #5	
Federal: 4.16.5	
<b>Replace or reposition dispensers or mirrors</b>	<b>\$100</b>
Notes: Seat cover dispenser is 58-1/2" (40" max) above the finished floor.	
State: 1115B.8.3	
Federal: 4.23.7	

**Fresno**

Valdez Hall (VH)

<b>Floor 2</b>	
<b>19 - 1 Multiple User Restroom</b>	<b>Priority:2</b>
<b>Replace or modify grab bars</b>	<b>\$700</b>
Notes: Grab bars are not provided.	
State: 1115B.4.1 #3, 1115B.4.1 #3.1, 1115B.4.1 #3.2, 1115B.7.1, 1115B.7.2 #4, 1115B.7.2 #5, 1115B.7.3	
Federal: 4.17.6	

**Fresno**

Valdez Hall (VH)

<b>Floor 2</b>	
<b>19 - 2 Multiple User Restroom</b>	Priority:2
<b>Install sign</b>	<b>\$250</b>
Notes: California required signage is not provided on the door.	
State: 1115B.6	
Federal: 4.30.4	
<b>Install sign</b>	<b>\$250</b>
Notes: Federal required signage is not located on the latch side of the door. International Symbol of Accessibility is not provided.	
State: 1115B.6, 1117B.5.1 #1, 1117B.5.5 #3, 1117B.5.8.1.2	
Federal: 4.30.4	
<b>Replace or reposition dispensers or mirrors</b>	<b>\$200</b>
Notes: Mirror is mounted so bottom of reflecting surface is 51-1/4" (40" max) above the finished floor.	
State: 1115B.8.1	
Federal: 4.19.6	
<b>Replace or reposition dispensers or mirrors</b>	<b>\$250</b>
Notes: Towel dispenser is 41" (40" max) above the finished floor.	
State: 1115B.8.3	
Federal: 4.23.7	
<b>Modify lavatory/counter clearances</b>	<b>\$1,500</b>
Notes: Space under the bowl is 23-1/2" (27" min) when measured 8" in from the front edge.	
State: 1115B.4.3 #2	
Federal: 4.19.2	
<b>Replace or adjust water controls</b>	<b>\$500</b>
Notes: Control requires grasping and twisting.	
State: 1115B.8.3	
Federal: 4.19.5, 4.27.4	
<b>Insulate water lines</b>	<b>\$100</b>
Notes: Hot water pipe is not insulated.	
State: 1115B.4.3 #4	
Federal: 4.19.4	
<b>Provide or replace stall door hardware</b>	<b>\$200</b>
Notes: Stall door does not have U-shaped handles on the front or back.	
State: 1115B.3.1 #4.5	
Federal: 4.13.9	

**Fresno**

Valdez Hall (VH)

<b>Floor 2</b>	
<b>19 - 2 Multiple User Restroom</b>	<b>Priority:2</b>
<b>Modify stall partitions and doors</b>	<b>\$800</b>
Notes: Door width is 23" (32" min) for end-entry stall.	
State: 1115B.3.1 #4.4	
Federal: -	
<b>Replace or reposition fixtures</b>	<b>\$1,000</b>
Notes: Space from the wall to the centerline is 15" (18" req).	
State: 1115B.7.1.3	
Federal: 4.17.3	
<b>Modify stall partitions and doors</b>	<b>\$500</b>
Notes: Space from the edge of the toilet to the wall is 8-1/2" (32" min).	
State: 1115B.4.1 #1	
Federal: 4.17.3	
<b>Modify stall partitions and doors</b>	<b>\$500</b>
Notes: Space in front of the toilet is 30-1/2" (48" min).	
State: 1115B.3.1 #4.1	
Federal: 4.17.3	
<b>Modify stall partitions and doors</b>	<b>\$500</b>
Notes: Stall width is 33" (60" min).	
State: -	
Federal: 4.17.3	
<b>Replace toilet or adjust toilet seat height</b>	<b>\$200</b>
Notes: Toilet seat height is 16" (17" to 19") above the finished floor.	
State: 1115B.4.1 #4	
Federal: 4.16.3	
<b>Reposition toilet flush controls</b>	<b>\$750</b>
Notes: Flush control is not located on the wide side.	
State: 1115B.4.1 #5	
Federal: 4.16.5	
<b>Replace or reposition dispensers or mirrors</b>	<b>\$100</b>
Notes: Seat cover dispenser is 63" (40" max) above the finished floor.	
State: 1115B.8.3	
Federal: 4.23.7	

**Fresno**

Valdez Hall (VH)

<b>Floor 2</b>	
<b>19 - 2</b>	<b>Multiple User Restroom</b>
	Priority:2
<b>Replace or modify grab bars</b>	<b>\$700</b>
Notes: Grab bars are not provided.	
State: 1115B.4.1 #3, 1115B.4.1 #3.1, 1115B.4.1 #3.2, 1115B.7.1, 1115B.7.2 #4, 1115B.7.2 #5, 1115B.7.3	
Federal: 4.17.6	