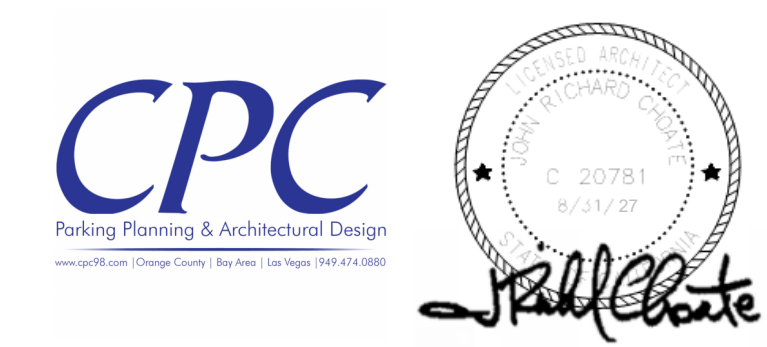


KEYNOTES	
330	12" CONCRETE WALL, SMOOTH FINISH
1212	FLUTED COLUMN FURNISHING
1213	COLUMN FOOTING FURNISHING
1214	GFRG CORNICE
1216	GFRG ARCH PANEL
1217	CORNICE VERTICAL FRIEZE
1219	GFRG MODILLION BLOCK

CITY USE ONLY



Architect:



Owner:



Contractor:

Consultant:

NORTH FULTON PB
1900 TUOLUMNE STREET
FRESNO, CA 93721

Issued For:

Rev.	Date	Description
08	08/20/2025	100% SCHEMATIC DESIGN SUBMITTAL
09	09/08/2025	ISSUE FOR FOUNDATION ONLY PERMIT
09	09/17/2025	100% DESIGN DEVELOPMENT SUBMITTAL
10	10/14/2025	ISSUE FOR FOUNDATION ONLY PERMIT BACK CHECK
11	11/20/2025	ISSUE FOR PERMIT

Rev.	Date	Description

THIS DRAWING AND THE PARKING DESIGN CONCEPTS IT ILLUSTRATES ARE THE PROPERTY OF CHOATE PARKING CONSULTANTS, INC. (CPCI). THE DRAWING IS AN INSTRUMENT OF SERVICE PROVIDED FOR USE ON THE SPECIFIED PROJECT IDENTIFIED. USE OF THIS DRAWING OR ANY PORTION OF WITHOUT WRITTEN CONSENT AND PARTICIPATION OF CHOATE PARKING CONSULTANTS, INC. IS PROHIBITED.

CPC Project Number:
25-204

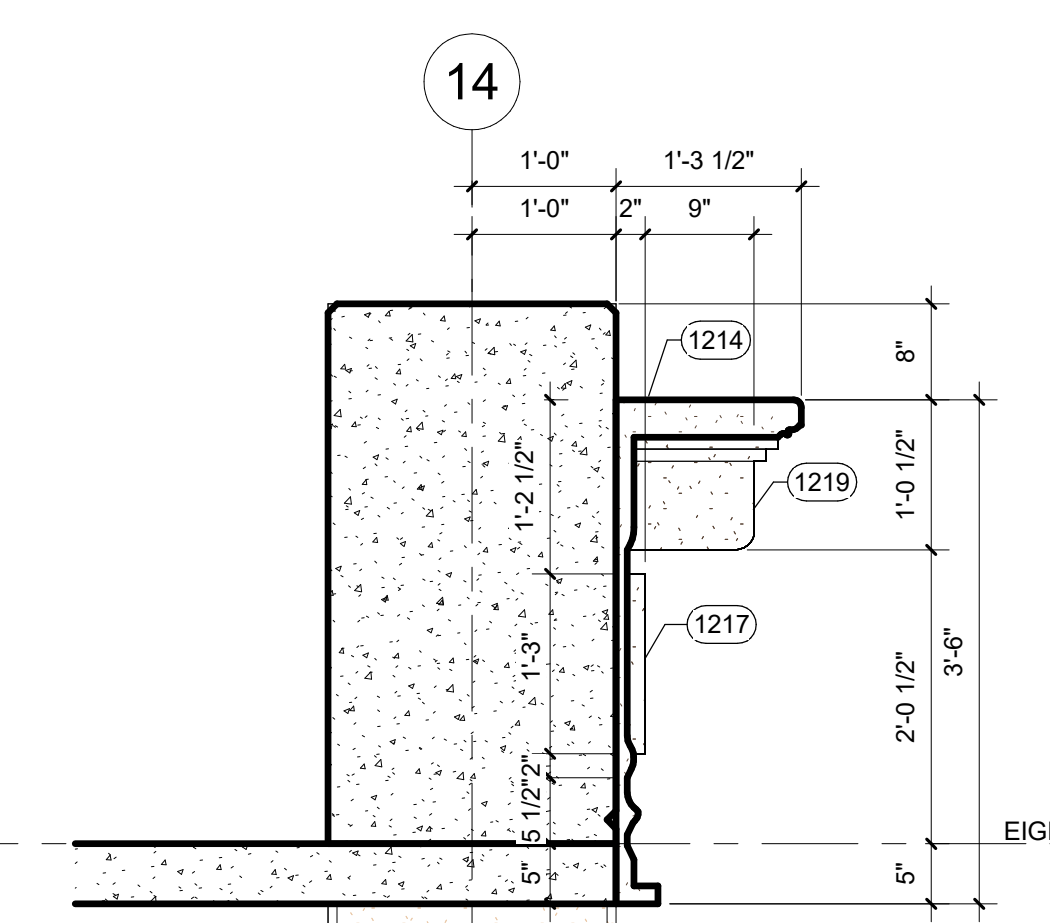
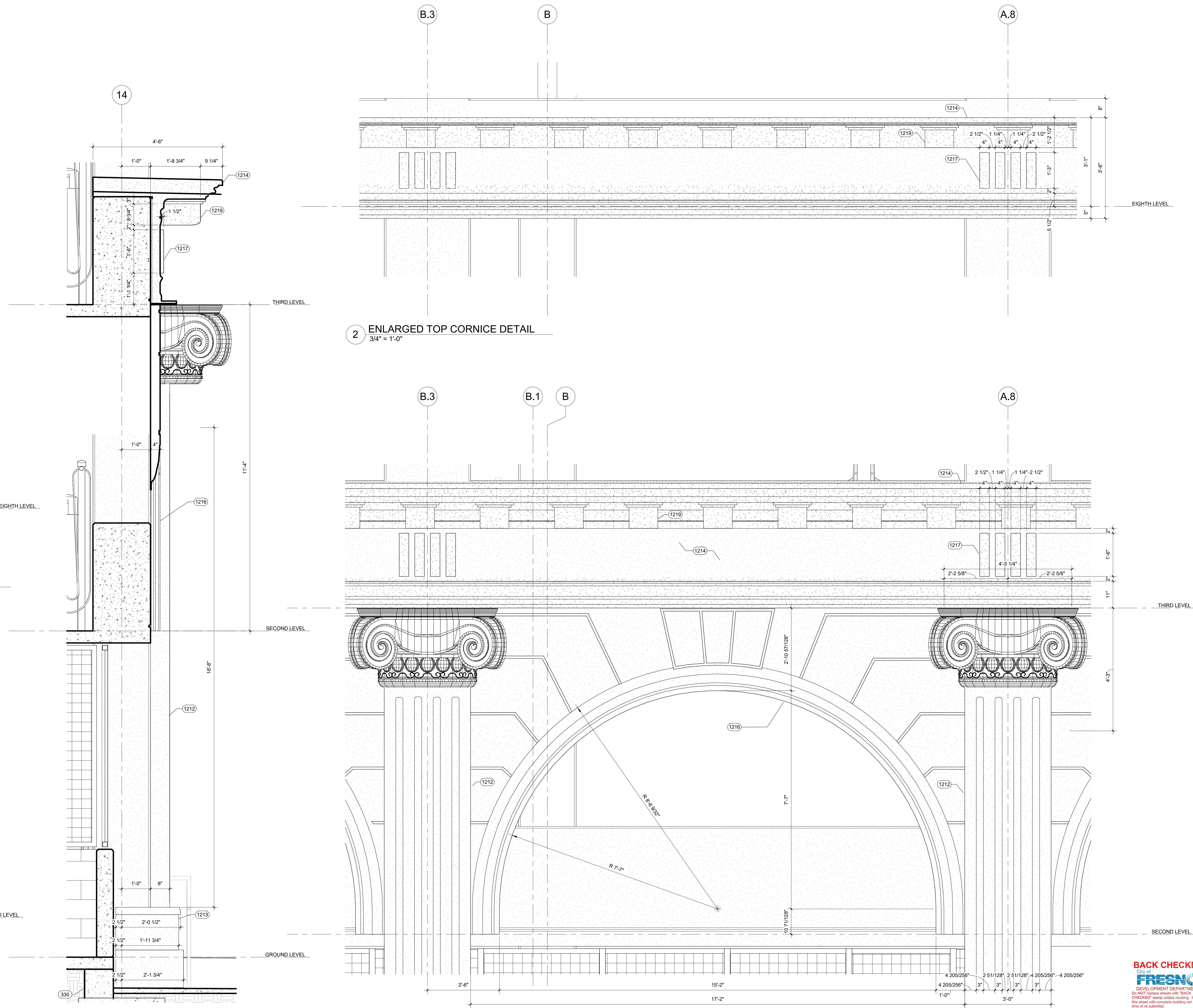
Drawn By:
Author
Scale:
3/4" = 1'-0"

Date Published:
3/11/2026 1:38:15 PM

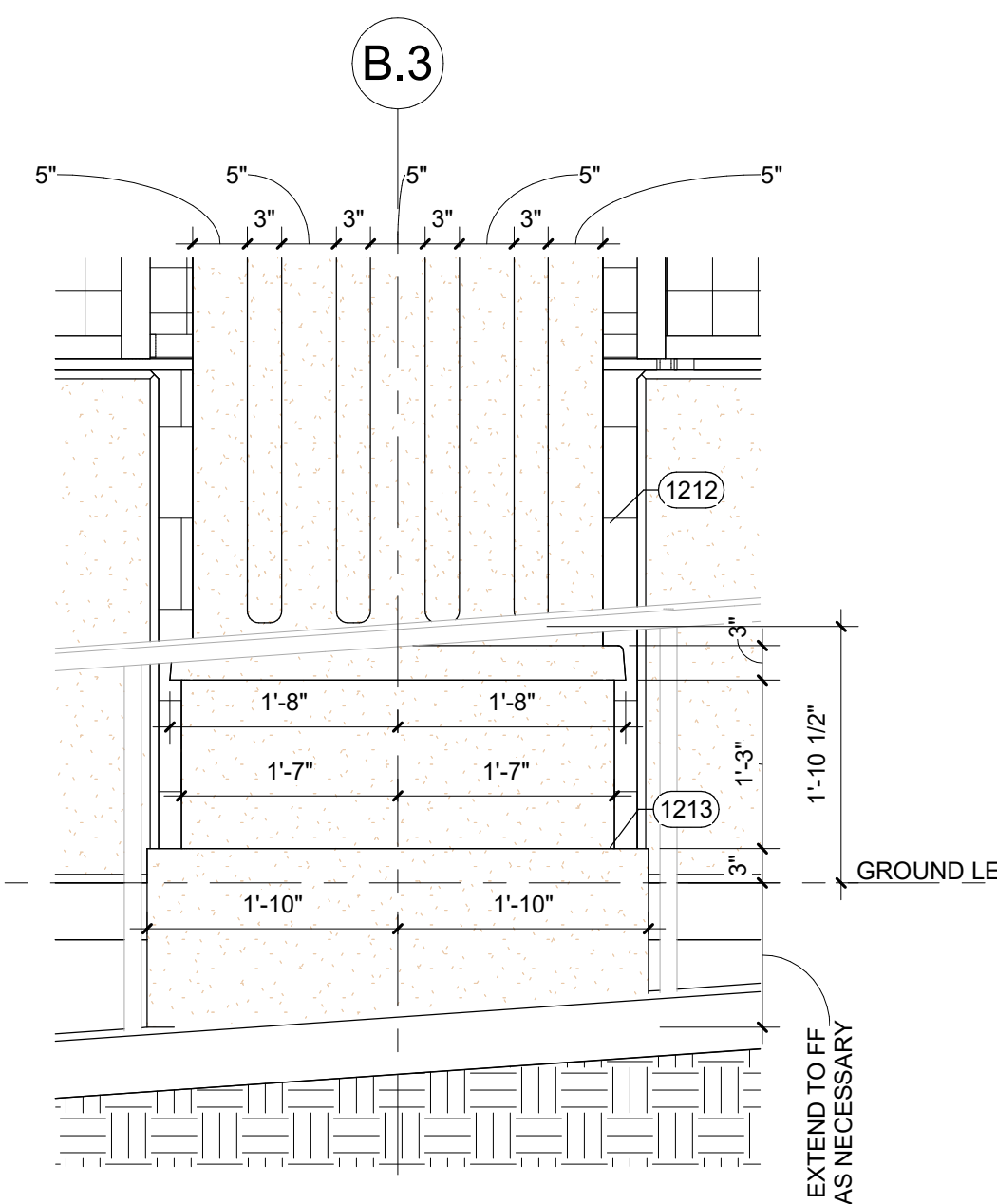


ENLARGED FACADE PANEL DETAILS

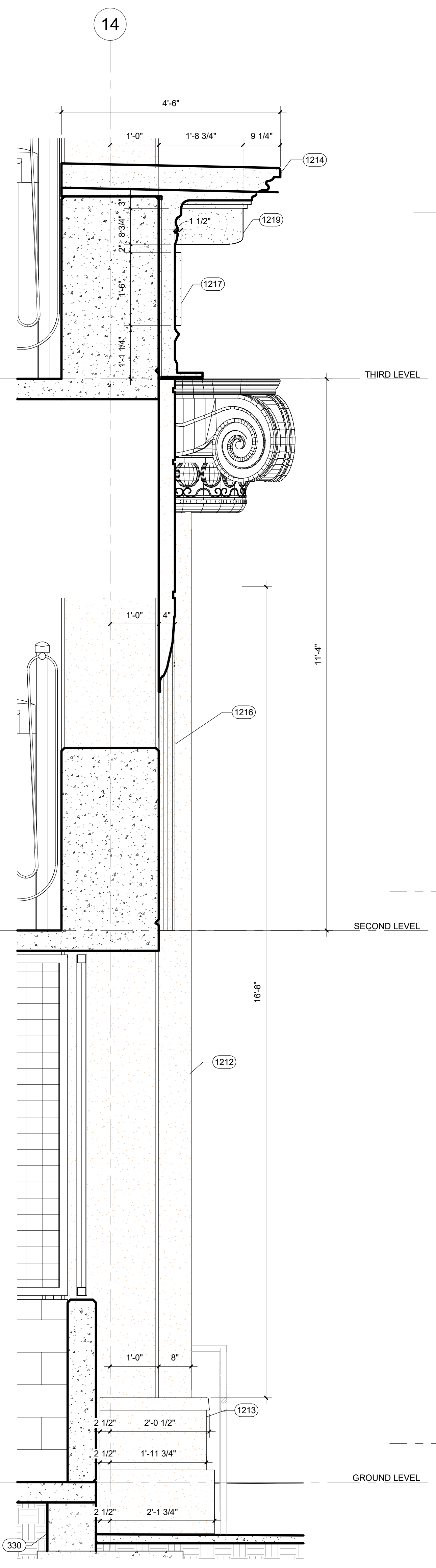
A554



5 ENLARGED TOP CORNICE SECTION
3/4" = 1'-0"



4 ENLARGED COLUMN BASEBOARD DETAIL
3/4" = 1'-0"



3 ENLARGED COLUMN SECTION
3/4" = 1'-0"

2 ENLARGED TOP CORNICE DETAIL
3/4" = 1'-0"

1 ENLARGED ARCH DETAIL
3/4" = 1'-0"